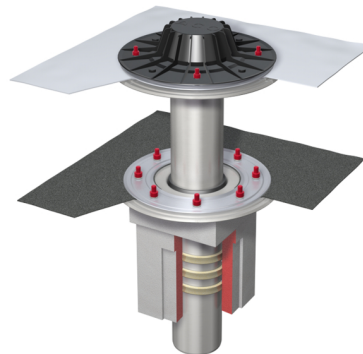
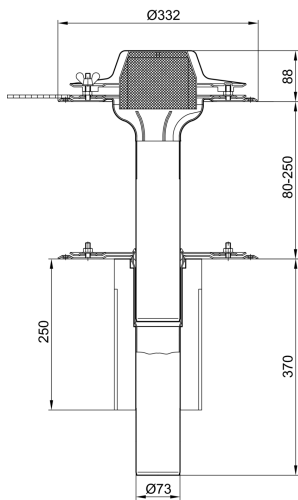


## Komplettabläufe 2-teilig/Stutzenneigung: 90° – DN 70

### Product information for the product group



#### ACO Product benefits

- With sealing membrane inserted on site
- Unit checked for leaks

- Flat roof gullies tested to DIN EN 1253
- Made from stainless steel, material grade 304
- Building material class A1
- With functional element
- Insulation
  - Uninsulated
  - Insulated with Styrofoam with/out heating
  - Insulated with stone wool with/out heating
- Sarnafil TG 66-15
  - For loose placement
  - For planted, gravelled roofs with foot and vehicle traffic
  - For roofs with additional loads
- Sikaplan 15 G
  - For loose placement with mechanical fixing
  - For roofs without additional loads
- With clamping flange for sealing with a sealing membrane
- Usable for two sealing planes
- Incl. vapour seal bitumen membrane Sikabit V60
- Socket inclination: 90°

### Item Technical Data 1279.25.40

Nominal width	Socket inclination	Socket diameter [mm]	Gravel trap basket	Insulation	Recess [mm]	Sealing membrane	Weight [kg]
DN 70	90°	73	Without	Styrofoam, heated	230 x 360	No sealing membrane	6.2



**Note:** Delivery time for works pre-assembled Sarnafil membrane TG 66-15 and Sikaplan 15 G depends on the version: from inventory, or up to max. 14 days

**Note:** Delivery time for works pre-assembled membranes from other manufacturers: on request.

**Note:** For gullies without membranes the additional seals must be ordered separately.

ACO eServices on the Internet: <http://catalogue.aco-buildingdrainage.com>

Item number: 1279.25.40

Version: 20.09.2013

Page 1 of 1