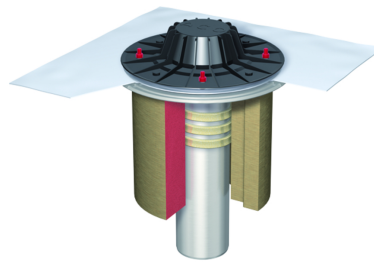
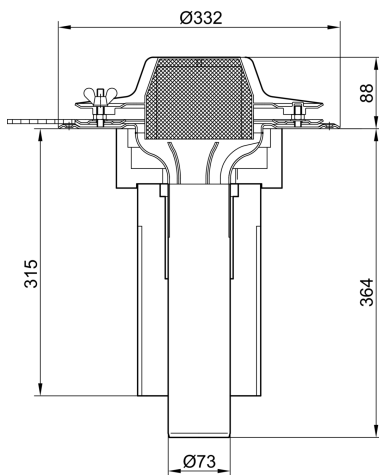


Komplettabläufe 1-teilig/Stutzenneigung: 90° – DN 70

Product information for the product group



ACO Product benefits

- With sealing membrane inserted on site
- Unit checked for leaks

- Flat roof gullies tested to DIN EN 1253
- Made from stainless steel, material grade 304
- Building material class A1
- With functional element
- Insulation
 - Uninsulated
 - Insulated with Styrofoam with/out heating
 - Insulated with stone wool with/out heating
- Sarnafil TG 66-15
- For loose placement
- For planted, gravelled roofs with foot and vehicle traffic
- For roofs with additional loads
- Sikaplan 15 G
 - For loose placement with mechanical fixing
 - For roofs without additional loads
- With clamping flange for sealing with a sealing membrane
- Usable for one sealing plane
- Socket inclination: 90°

Item Technical Data 1279.17.40

Nominal width	Socket inclination	Socket diameter [mm]	Gravel trap basket	Insulation	Recess [mm]	Sealing membrane	Weight [kg]
DN 70	90°	73	Without	Stone wool, heated	230 x 360	No sealing membrane	3.8



Note: Delivery time for works pre-assembled Sarnafil membrane TG 66-15 and Sikaplan 15 G depends on the version: from inventory, or up to max. 14 days

Note: Delivery time for works pre-assembled membranes from other manufacturers: on request.

Note: For gullies without membranes the additional seals must be ordered separately.

ACO eServices on the Internet: <http://catalogue.aco-buildingdrainage.com>

Item number: 1279.17.40

Version: 20.09.2013

Page 1 of 1