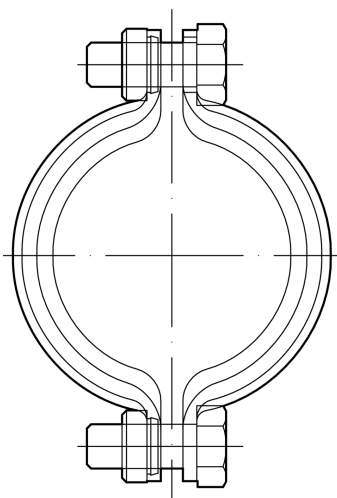


Safety clamp

Product information for the product group



Description

- Prevents axial shifting.

Used with

- GM-X drainpipes
- GM-X Filling and ventilation lines for heating oil tanks

 **KOMFORT**