

# transfero TPV P

Power up to 14.5 bar

The boom in Asia and the general tendency in urban areas to build higher and higher has been accelerating the demand for pressure maintenance stations designed for particularly high pressures. The Transfero family is therefore being extended with the TPV\_P types for pressures above 10 bar.

## TPV P – power based on proven technology

One type is available with power output of about 10 MW and max. working pressure of about 14.5 bar. It is generally fitted with the Fillsafe water make-up and Oxystop degassing systems, and is designed especially for installation in heating systems. The PowerCube panel is designed for a 3 x 400 V/50 Hz input and is fitted with an Emergency Off mains isolator. An optional 60 Hz version is also available.

## Advantages for Pneumatex

- The system has multiple applications (new buildings, reconstruction, heating, refrigerating, ...).
- Proven technology - now also for high pressures.
- Multifunctionality ensures little assembly work and automatic, reliable operation.

### fillsafe

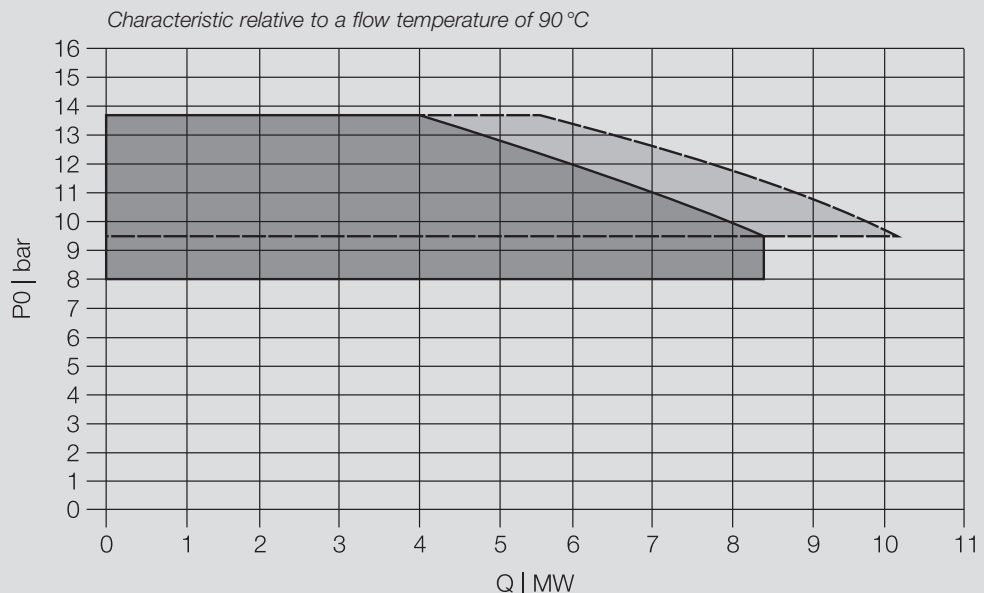
fillsafe water make-up uses a break tank.

### oxystop

The well-proven oxystop degassing system allows reliable, low-gas operation.

## Installation | Assembly | Operation ▶▶ Assembly | Operation [www.pneumatex.com](http://www.pneumatex.com)

Transfero TPV 19.2 P is particularly suitable for new installations and reconstructions. Installation is allowed only within the specified characteristic range.



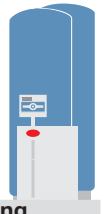
- TPV 19.2 P
- TPV 19.2-60 P

Available starting from May 2009

# transfero TPV P

**Pressure maintenance systems with pumps up to 10 MW**  
**Heating, solar and chilled water systems**

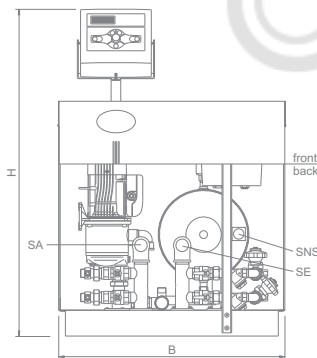
Transfero = TecBox  
 + Primary vessel  
 (+ Secondary vessel)



## Transfero TPV .2 P

**TecBox | precision pressure maintenance  $\pm 0.2$  bar | water make-up | degassing**

- for systems according to EN 12828, EN 12976, ENV 12977
- 2 pumps | 2 spill valves | switching is time and load dependant
- fillsafe water make-up | with contact water meter and a break tank type AB according to EN 1717, SVGW-tested
- oxystop degassing of the system and water make-up water under partial vacuum
- PowerCube panel PC2 | with isolator and emergency off; 2 thermal protectors and motor protection switch
- BrainCube control | self-optimising with memory function
- variable installation next to the primary vessel
- high quality metal cover
- protected isolating valves to the system
- including convoluted stainless steel hoses with seals for the connection of the primary vessel
- addition of antifreeze agent up to 50%
- CE-tested according to the requirements of the European Directives PED/DEP 97/23/EC, 2004/108/EG, 2006/95/EG



TS: 70 °C      TSmin: 0 °C      TU: 40 °C      TW: 30 °C  
 PSmin: 0 bar      SE: Rp 1¼      SA: Rp 1¼      SNS: G ½  
 SG: R 1¼      IP: 54      VNS: 500 l/h

Type	PS bar	B mm	H mm	T mm	G kg	PA kW	U V/Hz	SPL dB(A)	Article no.
TPV 19.2 P	20	900	1300	900	139	6.0	3 × 400/50	< 70	811 1045
TPV 19.2-60 P	20	900	1300	900	145	7.6	3 × 400/60	< 70	811 1095

Pneumatex AG  
 Mühlerainstrasse 26  
 CH-4414 Füllinsdorf  
 Phone +41 (0)61 906 26 26  
 Fax +41 (0)61 906 26 27  
 info@pneumatex.com  
[www.pneumatex.com](http://www.pneumatex.com)

# PNEUMATEX®

*Dynamic Watermanagement*