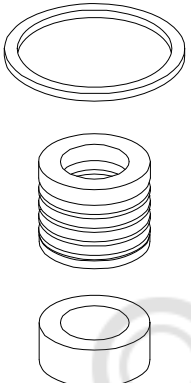
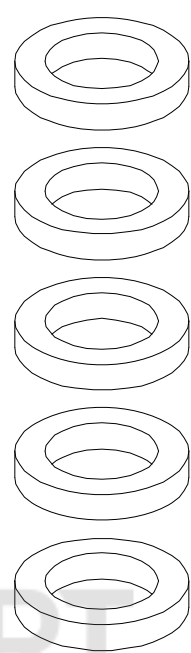

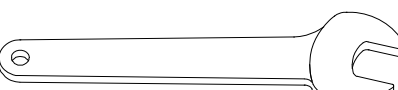
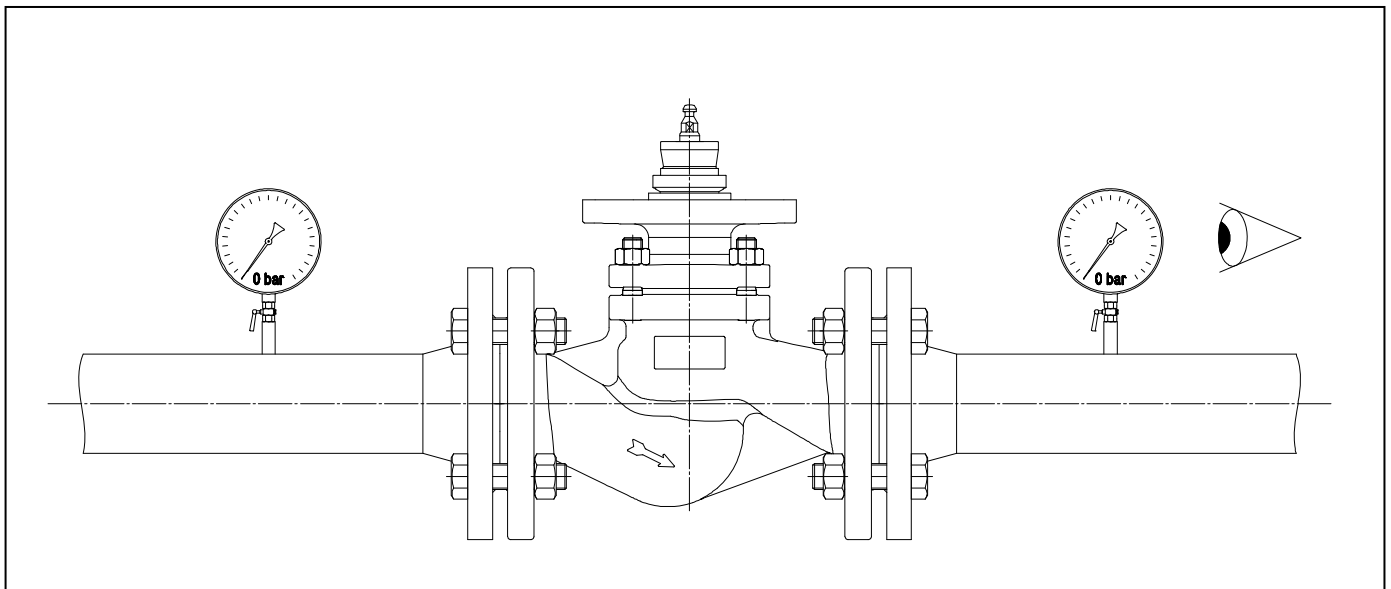
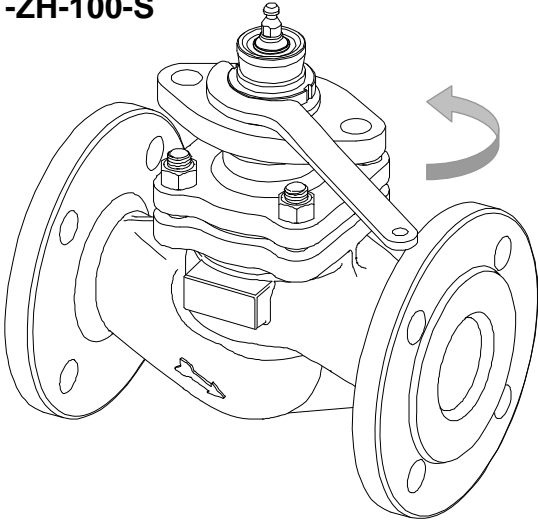


<p>EXT-ZH-50-S H...S, H...SP, H...X...-S..., H...Y...-S... DN 15- 50</p> <p>EXT-ZH-100-S H...S, H...SP, H...X...-S..., H...Y...-S... DN 65- 100</p> <p>EXT-ZH-150-S H...S, H...SP DN 125- 150 H...N DN 125- 150 (≤04/06)</p> 	<p>EXT-ZH-250-S STEVI-422/423 DN 200-250</p> 
---	---

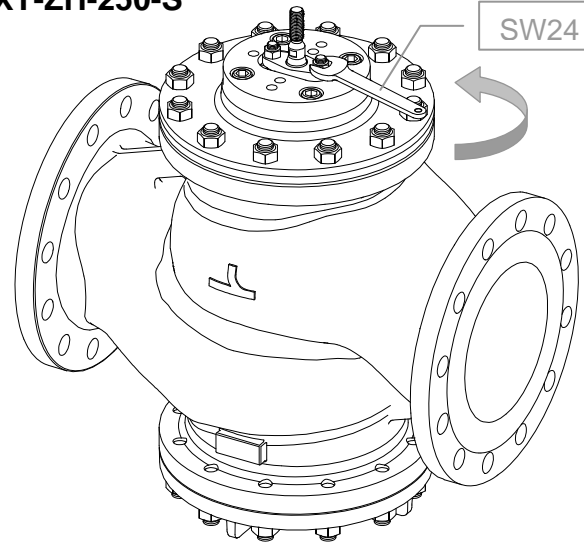
	EXT-ZH-50-S	EXT-ZH-100-S	EXT-ZH-150-S	EXT-ZH-250-S
	45/50	45/50	---	---
	SW36 SW24 (H...X...-S, H...Y...-S)	SW36 SW24 (H...X...-S, H...Y...-S)	SW36	SW24



EXT-ZH-50-S
EXT-ZH-100-S

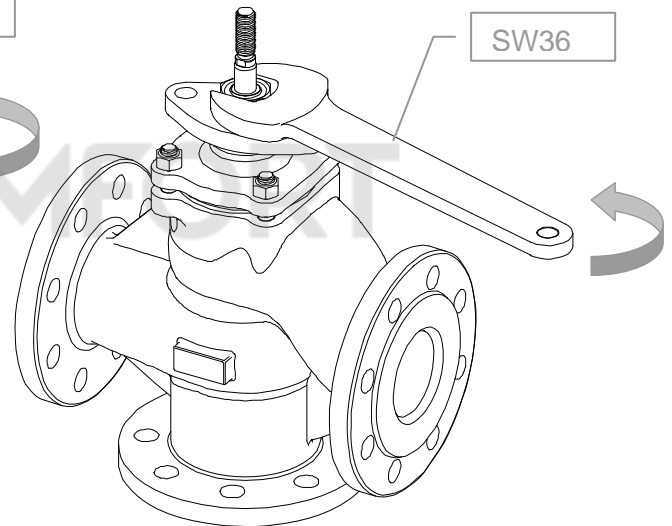
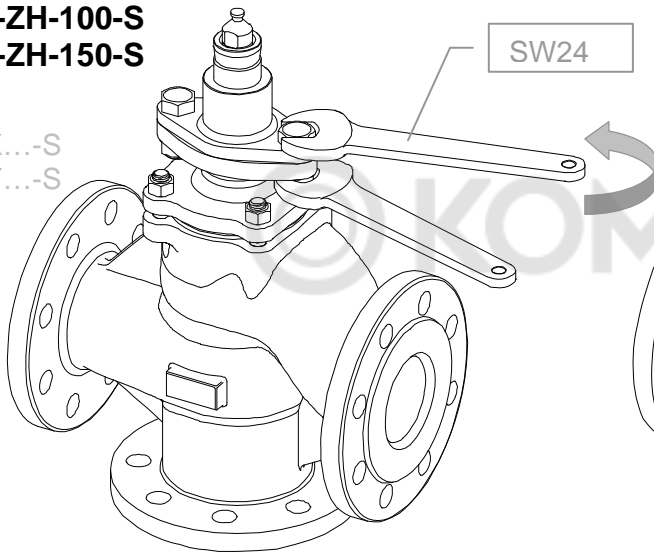


EXT-ZH-250-S

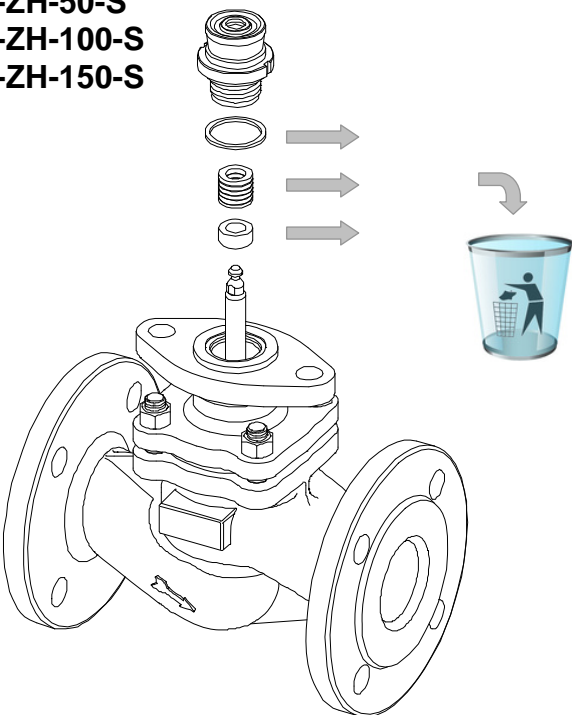


EXT-ZH-50-S
EXT-ZH-100-S
EXT-ZH-150-S

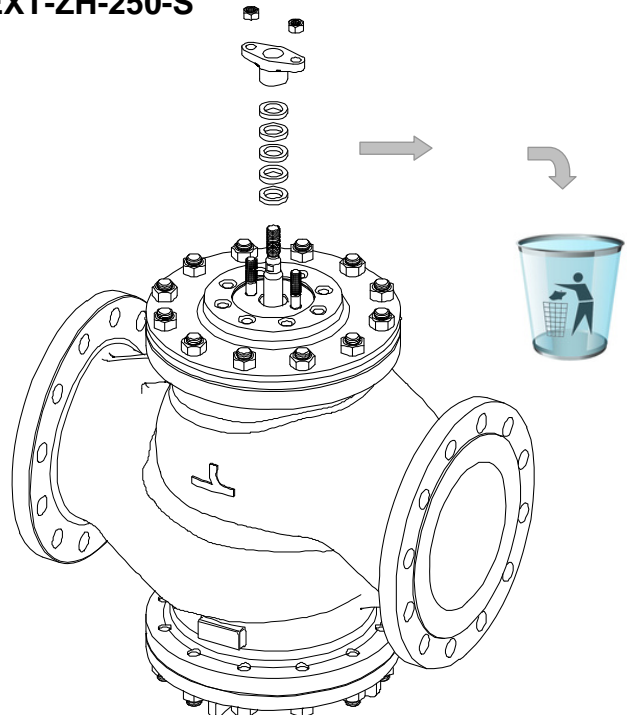
H...X...-S
H...Y...-S



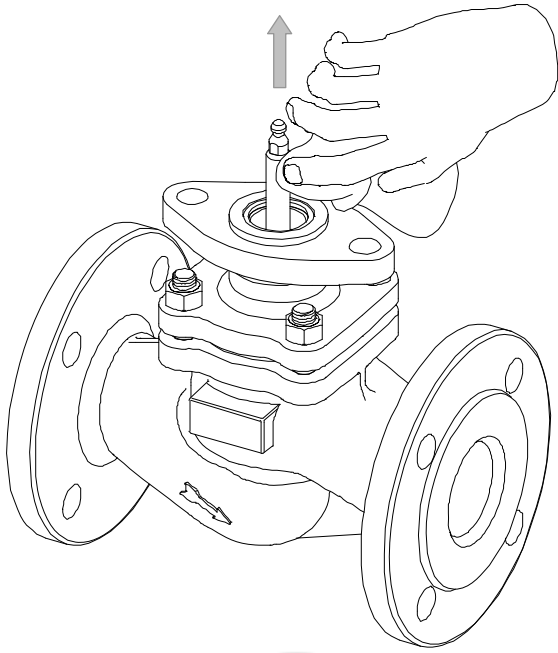
EXT-ZH-50-S
EXT-ZH-100-S
EXT-ZH-150-S



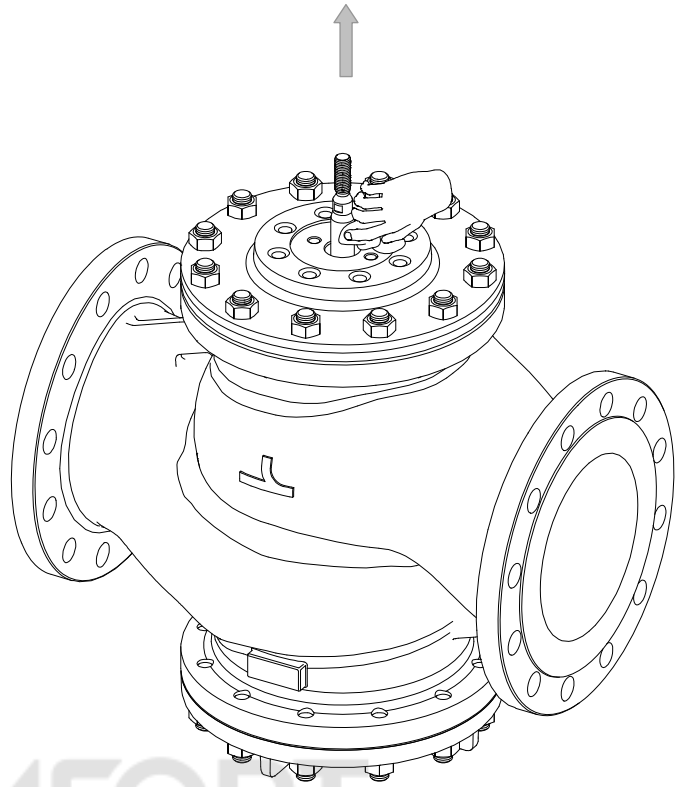
EXT-ZH-250-S



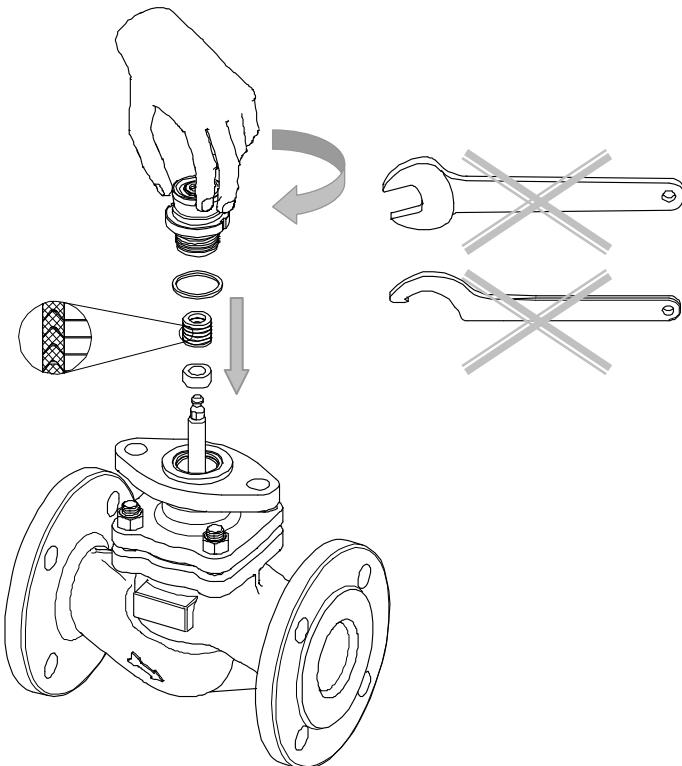
EXT-ZH-50-S
EXT-ZH-100-S
EXT-ZH-150-S



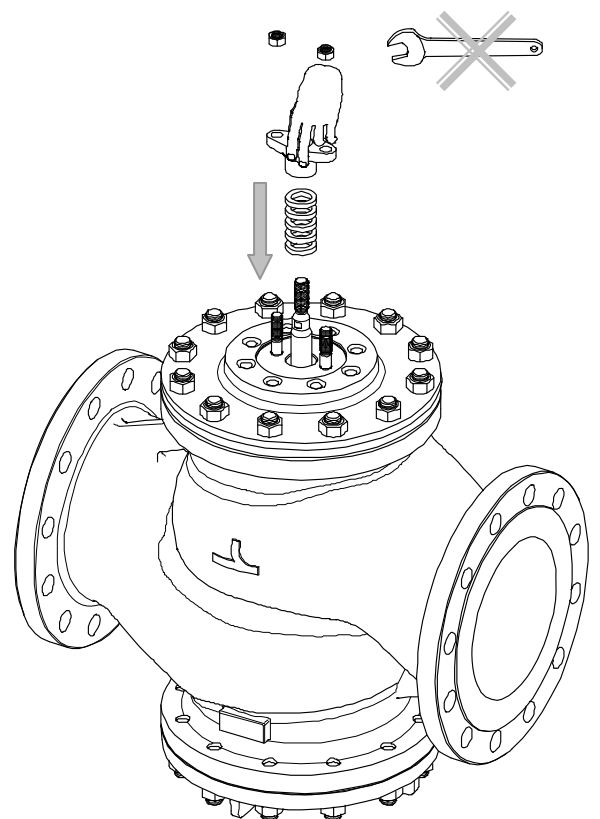
EXT-ZH-250-S



EXT-ZH-50-S
EXT-ZH-100-S
EXT-ZH-150-S



EXT-ZH-250-S



EXT-ZH-50-S	EXT-ZH-100-S	EXT-ZH-150-S	EXT-ZH-250-S
40-60 Nm	80-100 Nm	80-100 Nm	≈30 Nm

