

Room Thermostat

RAA11

Tamperproof for heating only or cooling only

Two-position control
Switching voltage AC 24...250 V

Use

The RAA11 room thermostat is used in heating only or cooling only systems to maintain the selected room temperature where a tamperproof housing is needed.

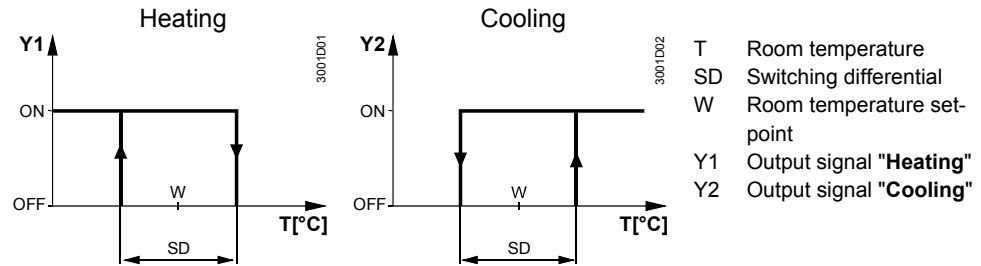
Typical use:

- Schools
- Public buildings
- Storage rooms
- Maintenance rooms

Functions

The RAA11 room thermostat has separate outputs for heating only and cooling only. If the room temperature falls below the selected setpoint, the heating contact will close. If the room temperature exceeds the selected setpoint, the cooling contact will close.

Function diagrams



Equipment combinations

Type of unit	Type reference	Data sheet
Motoric on/off actuator	SFA21...	4863
Thermal actuator (for radiator valve)	STA21...	4893
Thermal actuator (for small valve 2,5 mm)	STP21...	4878

Accessories

Description	Type reference
Adapter plate 120 x 120 mm for 4" x 4" conduit boxes	ARG70
Adapter plate 96 x 120 mm for 2" x 4" conduit boxes	ARG70.1
Adapter plate for surface wiring 112x130 mm	ARG70.2

Technical design

Key features of the RAA11 room thermostat:

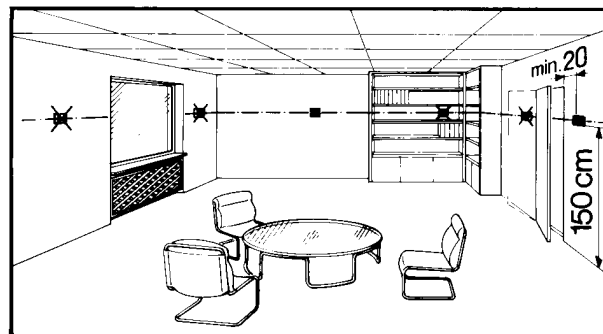
- Two-position control
- Gas-filled diaphragm
- No external adjustment facility

Notes

Mounting, installation and commissioning

The thermostat should be located where the air temperature can be sensed as accurately as possible, without getting adversely affected by direct solar radiation or other heat or refrigeration sources.

Mounting height is about 1.5 m above the floor.



The unit can be fitted to most commercially available recessed conduit boxes or directly on the wall.



AC 250 V

Only authorised personnel may open the unit to perform service.

The unit must be isolated from the mains supply before opening.

When installing the unit, fix the baseplate first, then hook on the thermostat body and make the electrical connections. Then fit the cover and secure it also refer to separate mounting instructions.

The thermostat must be mounted on a flat wall.

The local electrical regulations must be complied with.

If there are thermostatic radiator valves in the reference room, set them to their fully open position.

Maintenance

The room thermostat is maintenance-free.

Mechanical design

The diaphragm is filled with environmentally friendly gas.

The thermostat housing is made of plastic.

Ordering

Typ (ASN)	Partnumber (SSN)	Description
RAA11	S55770-T219	Room thermostat RAA11

Technical data

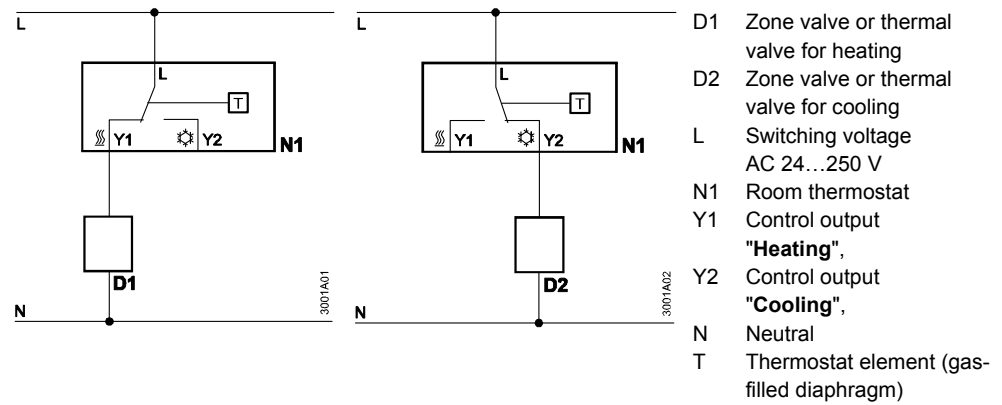
Power supply	Switching capacity	
	Voltage	AC 24...250 V
Operational data	Current	0.2...6(2.5) A
	Frequency	50 or 60 Hz
	Screw terminals for	2 x 1.5 mm ² (min. 0.5 mm ²)
	Switching differential SD	≤1K
Environmental conditions	Setpoint setting range	8...30 °C
	Operation	to IEC 721-3-3
	Climatic conditions	Class 3K5
	Temperature	0...+50 °C
	Humidity	<95 % r.h.
	Pollution degree	normal, to EN 60730-1
Industry standards	Transport / Storage	to IEC 721-3-2
	Climatic conditions	Class 2K3/1K3
	Temperature	-20...+50 °C
	Humidity	<95 % r.h.
	Mechanical conditions	Class 2M2
	Electromagnetic compatibility	
CE - Conformity	Emissions (Residential, business and commercial)	EN55014
	EMC guidelines	2004/108/EC
	Low voltage directive	2006/95/EC
C - Conformity	Australian EMC Framework	CISPR 14-1: 2009
	Radio Interference Emission Standard	
Environmental compatibility		
The product environmental declaration	2002/95/EC (RoHS)	
Safety standard	II to EN 60730-1	
Degree of protection of housing	IP30 to EN 60529	
Weight	0.14 kg	
Colour	white, NCS S 0502-G (RAL 9003)	

Disposal



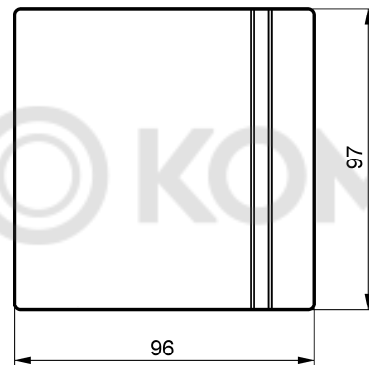
Dispose of the device as electronic waste in compliance with European directive 2002/96/EEC (WEEE) and not as municipal waste. Observe all relevant national regulations and dispose of the unit correctly. Observe all local and applicable laws.

Connection diagrams

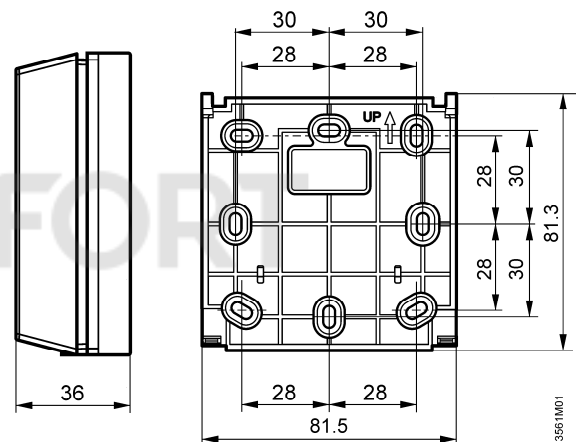


Dimensions

Room thermostat



Baseplate



Remarks

Heating:

Because of the unavoidable self heating effects of the electrical current, any loads of more than 3 Amperes connected to the unit can influence the control behavior and temperature accuracy in a negative way.

Cooling:

Because of the unavoidable self heating effects of the electrical current, any loads of more than 1 Amperes connected to the unit can influence the control behavior and temperature accuracy in a negative way.