

Milwaukee®

Nothing but **HEAVY DUTY**®

© KOMFOR



K 1000 S

Original instructions

Originalbetriebsanleitung

Notice originale

Istruzioni originali

Manual original

Oorspronkelijke gebruiksaanwijzing

Original brugsanvisning

Original bruksanvisning

Bruksanvisning i original

Alkuperäiset ohjeet

Πρωτότυπο οδηγιών χρήσης

Orijinal işletme talimatı

Původním návodem k používání

Pôvodný návod na použitie

Instrukcja oryginalną

Eredeti használati utasítás

Izvirna navodila

Originalne pogonske upute

Instrukcijām oriģinālvalodā

Originalni instrukcija

Algupärane kasutusjuhend

Оригинальное руководство по эксплуатации

Оригинално ръководство за експлоатация

Instrucțiuni de folosire originale

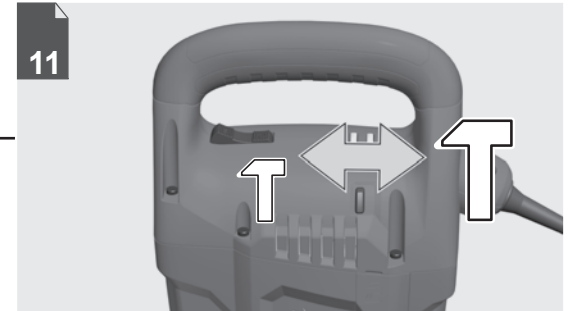
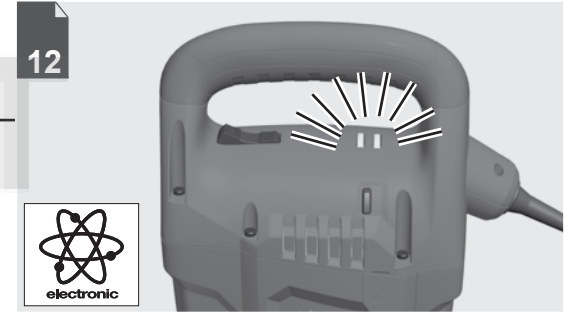
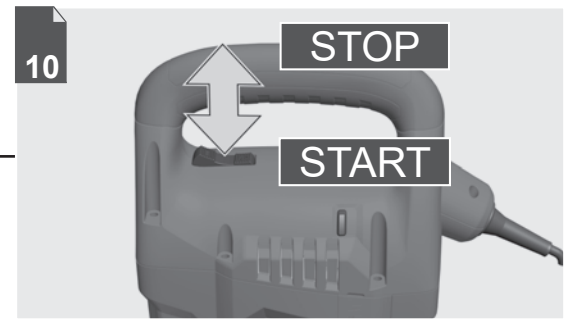
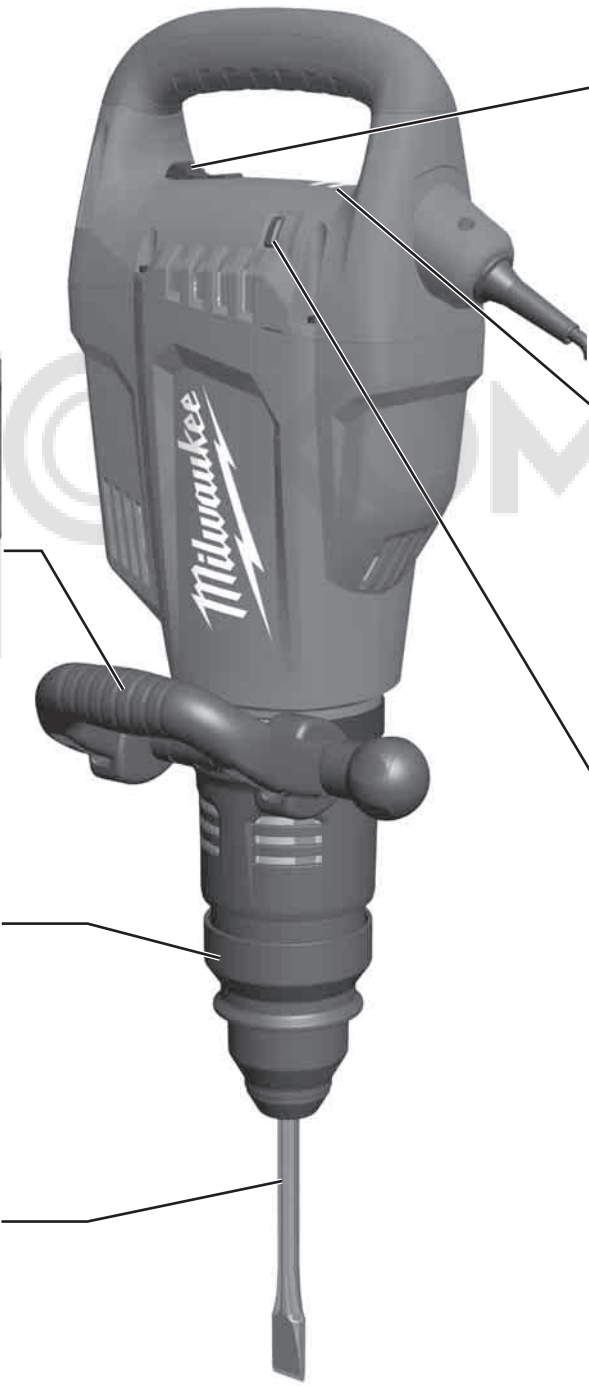
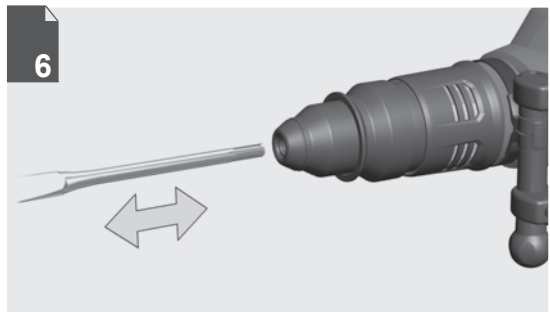
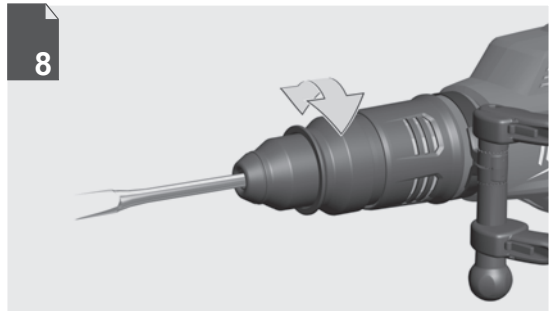
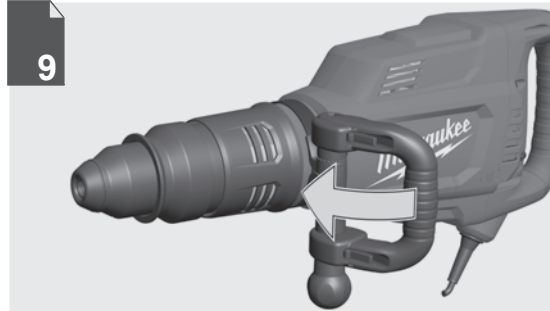
Оригинален прирачник за работа

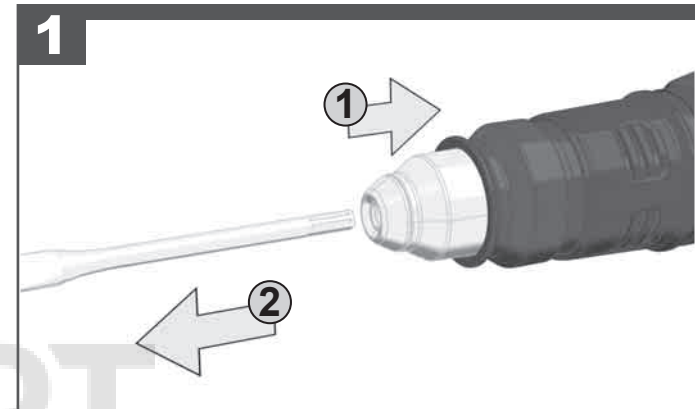
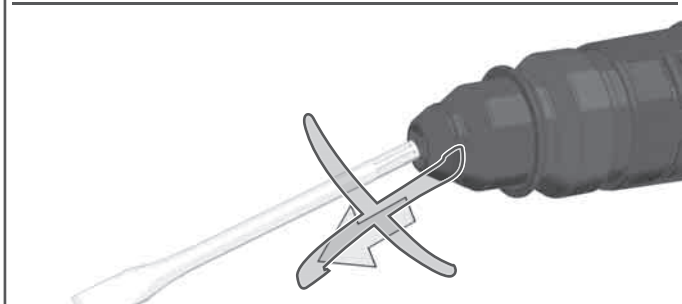
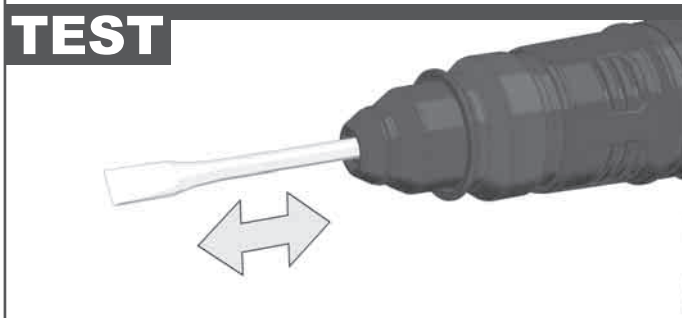
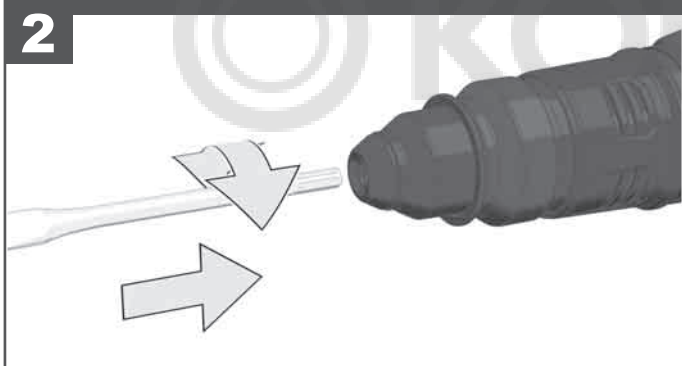
Оригінал інструкції з експлуатації

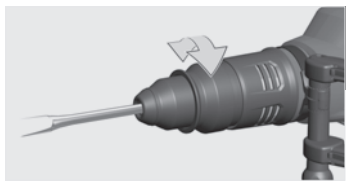
التعليمات الأصلية

ENGLISH		Picture section with operating description and functional description	4
DEUTSCH		Bildteil mit Anwendungs- und Funktionsbeschreibungen	4
FRANÇAIS		Partie imagée avec description des applications et des fonctions	4
ITALIANO		Sezione illustrata con descrizione dell'applicazione e delle funzioni	4
ESPAÑOL		Sección de ilustraciones con descripción de aplicación y descripción funcional	4
PORTUGUES		Parte com imagens explicativas contendo descrição operacional e funcional	4
NEDERLANDS		Beelddedeelte met toepassings- en functiebeschrijvingen	4
DANSK		Billedel med anvendelses- og funktionsbeskrivelser	4
NORSK		Billedel med bruks- og funksjonsbeskrivelse	4
SVENSKA		Bilddel med användnings- och funktionsbeskrivning	4
SUOMI		Kuvasivut käyttö- ja toimintakuvaukset	4
ΕΛΛΗΝΙΚΑ		Τμήμα εικόνων με περιγραφές χρήσης και λειτουργίας	4
TÜRKÇE		Resim bölümü Uygulama ve fonksiyon açıklamaları ile birlikte	4
ČESKY		Obrazová část s popisem aplikací a funkcí	4
SLOVENSKY		Obrazová část s popisom aplikácií a funkcií	4
POLSKI		Część rysunkowa z opisami zastosowania i działania	4
MAGYAR		Képes részalkalmazási- és működési leírásokkal	4
SLOVENSKO		Del slikez opisom uporabe in funkcij	4
HRVATSKI		Dio sa slikamasa opisima primjene i funkcija	4
LATVISKI		Attēla daļa ar lietošanas un funkciju aprakstiem	4
LIETUVIŠKAI		Paveikslėlio dalis su vartojimo instrukcija ir funkcijų aprašymais	4
EESTI		Pildiosa kasutusjuhendi ja funktsioonide kirjeldusega	4
РУССКИЙ		Раздел иллюстраций с описанием эксплуатации и функций	4
БЪЛГАРСКИ		Част със снимки с описание за приложение и функции	4
ROMÂNIA		Secvența de imagine cu descrierea utilizării și a funcționării	4
МАКЕДОНСКИ		Дел со сликисо описи за употреба и функционирање	4
УКРАЇНСЬКА		Частина з зображеннями з описом робіт та функцій	4
عربي		قسم الصور يوجد به الوصف التشغيلي والوظيفي	4

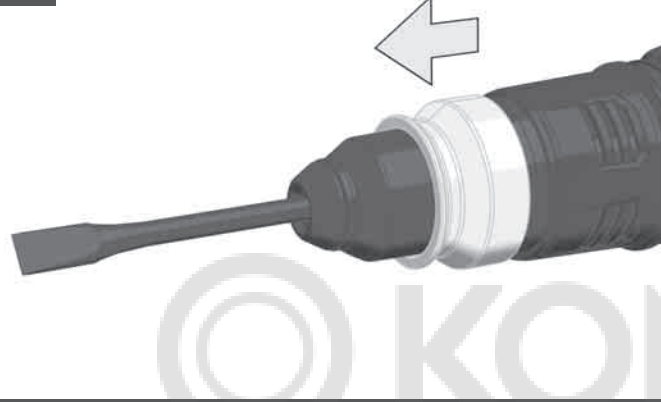
Text section with Technical Data, important Safety and Working Hints and description of Symbols	16
Textteil mit Technischen Daten, wichtigen Sicherheits- und Arbeitshinweisen und Erklärung der Symbole.	19
Partie textuelle avec les données techniques, les consignes importantes de sécurité et de travail ainsi que l'explication des pictogrammes.	22
Sezione testo con dati tecnici, importanti informazioni sulla sicurezza e sull'utilizzo, spiegazione dei simboli.	25
Sección de texto con datos técnicos, indicaciones importantes de seguridad y trabajo y explicación de los símbolos.	28
Parte com texto explicativo contendo Especificações técnicas, Avisos de segurança e de operação e a Descrição dos símbolos.	31
Tekstgedeelte met technische gegevens, belangrijke veiligheids- en arbeidsinstructies en verklaring van de symbolen.	34
Tekstdel med tekniske data, vigtige sikkerheds- og arbejdsanvisninger og symbolforklaring.	37
Tekstdel med tekniske data, viktige sikkerhets- og arbeidsinstruksjoner og forklaring av symbolene.	40
Tekstdel med tekniska informationer, viktiga säkerhets- och användningsinstruktioner samt symbolförklaringar.	43
Tekstisivut: tekniset tiedot, tärkeät turvallisuus- ja työskentelyohjeet sekä merkien selitykset.	46
Τμήμα κειμένου με τεχνικά χαρακτηριστικά, σημαντικές υποδείξεις ασφαλείας και εργασίας και εξήγηση των συμβόλων.	49
Teknik bilgileri, önemli güvenlik ve çalışma açıklamalarını ve de sembollerin açıklamalarını içeren metin bölümü.	52
Textová část s technickými daty, důležitými bezpečnostními a pracovními pokyny a s vysvětlivkami symbolů	55
Textová část s technickými datami, důležitými bezpečnostními a pracovními pokyny a s vysvětlivkami symbolov	58
Część opisowa z danymi technicznymi, ważnymi wskazówkami dotyczącymi bezpieczeństwa i pracy oraz objaśnieniami symboli.	61
Szöveges rész műszaki adatokkal, fontos biztonsági- és munkavégzési útmutatásokkal, valamint a szimbólumok magyarázata.	64
Del besedila s tehničnimi podatki, pomembnimi varnostnimi opozorili in delovnimi navodili in pojasnili simbolov.	67
Dio štiva sa tehničkim podacima, važnim sigurnosnim i radnim uputama i objašnjenjem simbola.	70
Teksta daļa ar tehnikajiem parametriem, svarīgiem drošības un darbības norādījumiem, simbolu atšifrējumiem.	73
Teksto dalis su techniniais duomenimis, svarbiomis saugumo ir darbo instrukcijomis bei simbolių paaiškinimais.	76
Tekstiosa tehniliste näitajate, oluliste ohutus- ja tööjuhenditega ning sümbolite kirjeldustega.	79
Текстовый раздел, включающий технические данные, важные рекомендации по безопасности и эксплуатации, а также описание используемых символов.	82
Част с текст с технически данни, важни указания за безопасност и работа и разяснение на символите.	85
Porțiune de text cu date tehnice, indicații importante privind siguranța și modul de lucru și descrierea simbolurilor.	88
Текстуален дел со Технички карактеристики, важни безбедносни и работни упатства и објаснување на символите.	91
Текстова частина з техничними даними, важливими вказівками з техніки безпеки та експлуатації і поясненням символів.	94
القسم النصي المزود بالبيانات الفنية والنصائح الهامة للسلامة والعمل ووصف الرموز	99



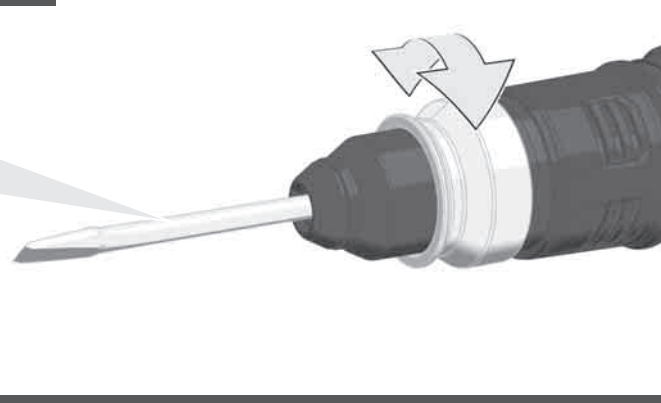




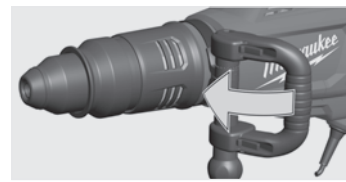
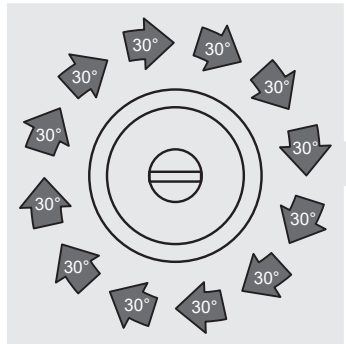
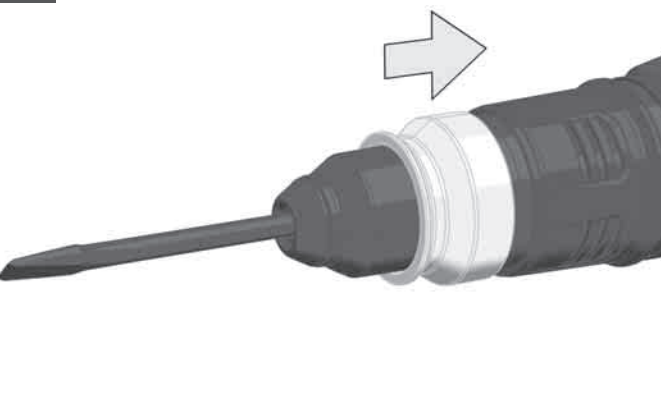
1



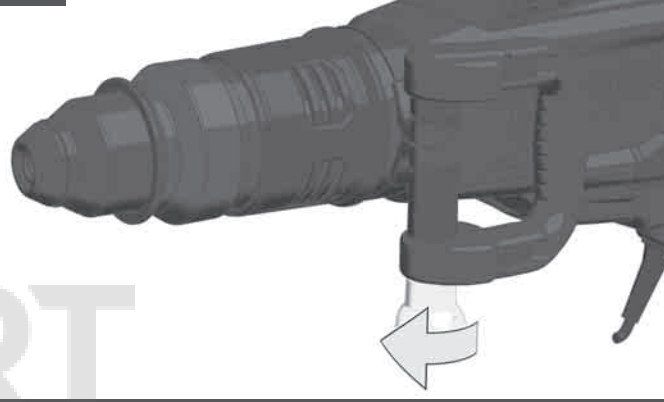
2



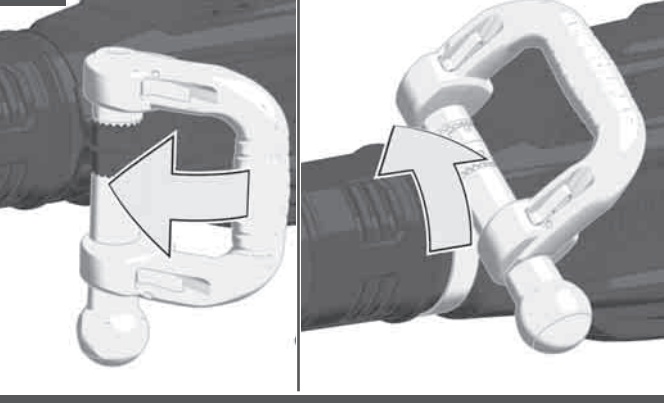
3



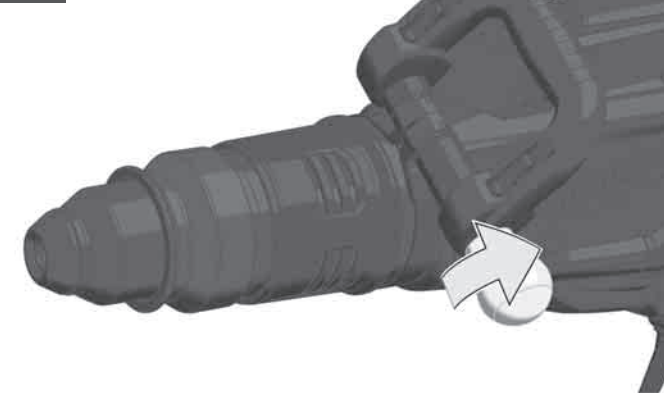
1



2

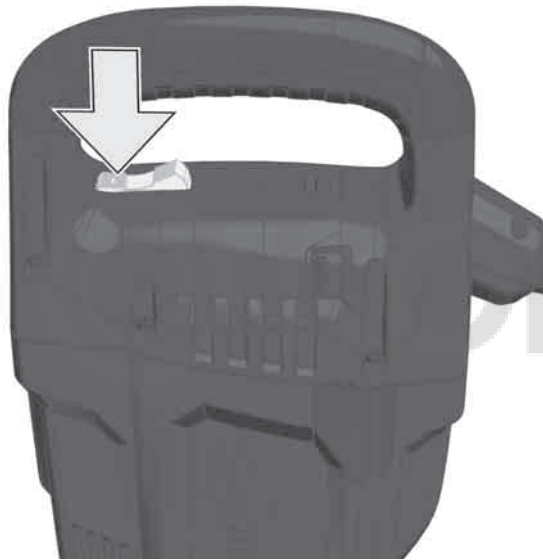


3

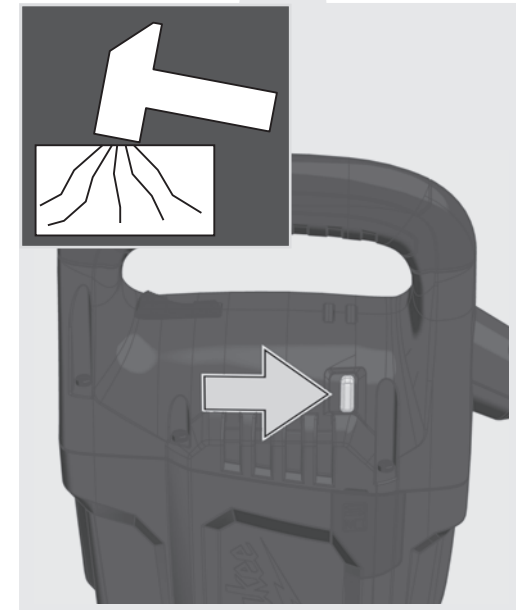
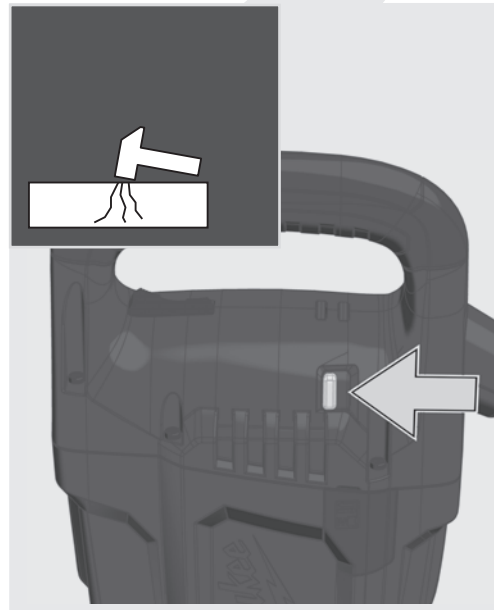
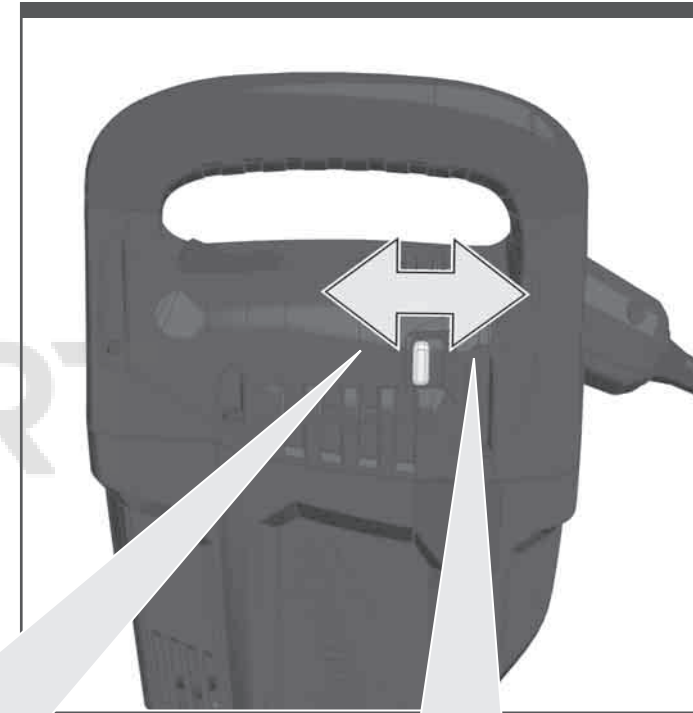
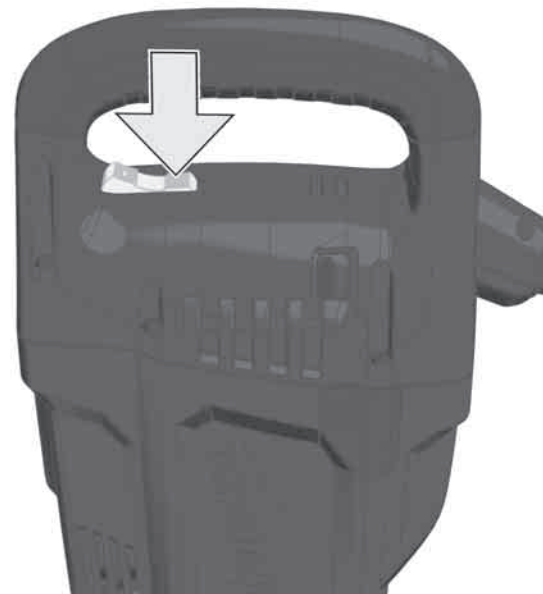


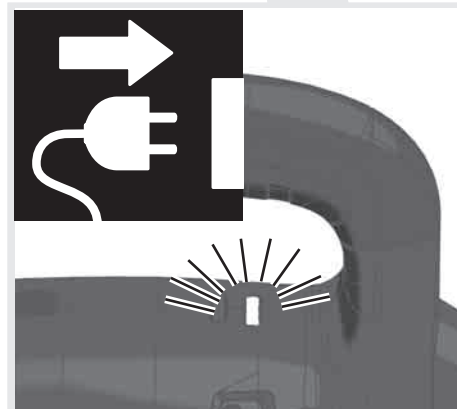
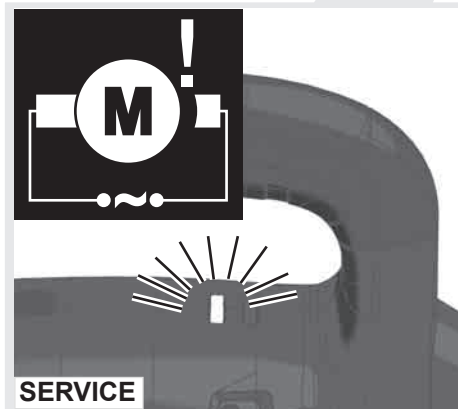
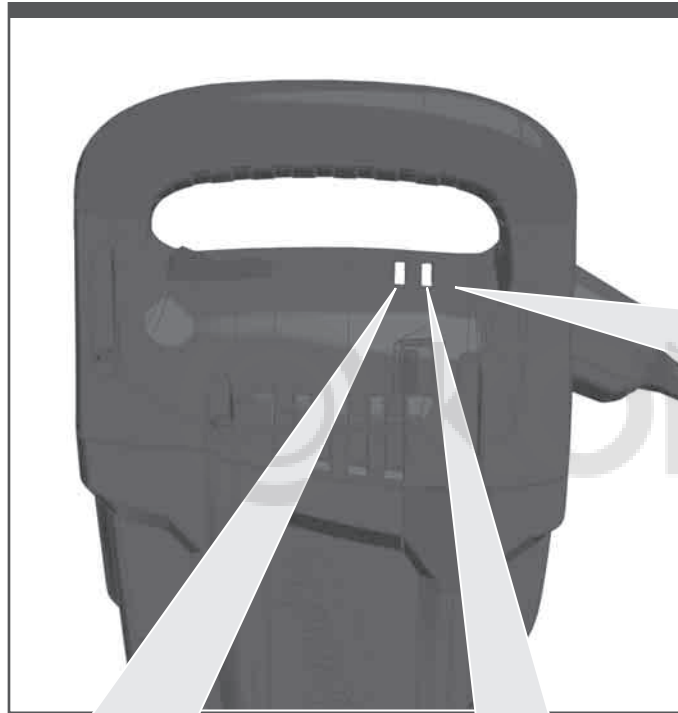


START

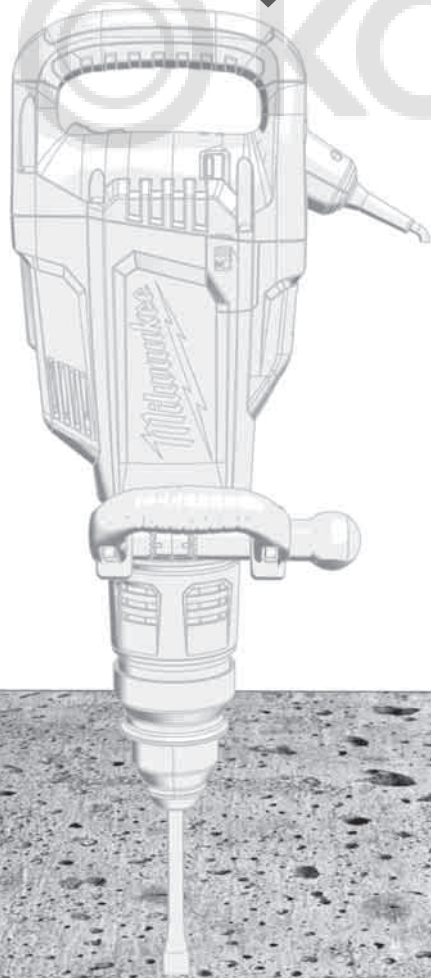
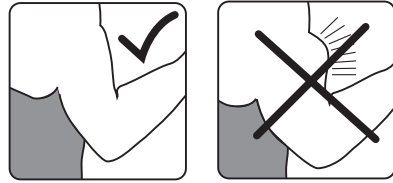


STOP





The control lamp flashes: The restart cut-out is active.
 Kontrolllampe blinkt: Wiederanlaufschutz aktiv.
 Témoin de contrôle clignotant: la protection contre le redémarrage est active.
 Lampadina di controllo lampeggiante: E' attivata la protezione contro la ripartenza.
 La lámpara de control parpadea: La protección contra re arranque está activa.
 Luz de controlo a piscar: A proteção contra arranque está ativada.
 Controlelampje knippert: herstartbeveiliging actief.
 Kontrollampen blinker: genstartbeskyttelsen er aktiv.
 Kontrollampen blinker: Gjenstartvernet er aktivert.
 Kontrollampan blinkar: Återstartsskyddet är aktivt.
 Merkkivalo vilkkuu: uudelleenkäynnistymissuoja on toimennettu.
 Αν η λυχνία ελέγχου αναβοσβήνει: Έχει ενεργοποιηθεί η προστασία επανεκκίνησης.
 Kontrol lambası yanıp sönlüyor: Tekrar çalışma koruması aktif.
 Kontrolka bliká: ochrana opakovaného startu je aktivní.
 Kontrolka bliká: ochrana opakovaného štartu je aktívna.
 Lampka kontrola miga: Zabezpieczenie przed ponownym uruchomieniem jest aktywowane.
 Kontroll-lámpa villog: Az újraindulás elleni védelem aktív.
 Kontrolna svetilka utripa: Zaščita pred ponovnim zagonom je aktivna.
 Kontrolna lampa treperi: Zaštita od ponovnog startanja aktivna.
 Kontrollampa mirgo: aktivizēts atkārtotas palaišanas drošinātājs.
 Kontrolinė lemputė mirksi: įjungta pakartotinio paleidimo apsauga.
 Kontroll-lamp vilgub: Taaskäivituskaitse aktiivne.
 Контрольная лампа мигает: активна защита от повторного запуска.
 Контролната лампа мига: защитата срещу повторно пускане е активирана.
 Lampa de control se aprinde intermitent: este activată protecția la repornire.
 Контролната лампа свети: Активна е заштитата од повторно појдување.
 Контрольна лампочка блимає: Захист від повторного запуску активований.
 آل خفيم لي غفشتلا اعاطقونا نوكي: ضموي مكحتلا احابصم نوك لاح



TECHNICAL DATA **BREAKER HAMMER** **K 1000 S (220-240 V)**

Production code..... 4555 01 01...
000001-999999
 Rated input 1750 W
 Output..... 900 W
 Rate of percussion under load max..... 1400-1950 min⁻¹
 Impact energy per stroke according to EPTA-Procedure 05/2009 26 J
 Tool reception SDS-MAX
 Weight according EPTA-Procedure 01/2014 13,0 kg

Noise Information

Measured values determined according to EN 60 745.

Typically, the A-weighted noise levels of the tool are:

Sound pressure level (Uncertainty K=3dB(A)) 85 dB (A)

Sound power level (Uncertainty K=3dB(A))..... 96 dB (A)

Wear ear protectors!

Vibration Information

Total vibration values (vector sum in the three axes)

determined according to EN 60745.

Chiselling

Vibration emission value a_v..... 6,7 m/s²

Uncertainty K= 2 m/s²

WARNING!

The vibration emission level given in this information sheet has been measured in accordance with a standardised test given in EN 60745 and may be used to compare one tool with another. It may be used for a preliminary assessment of exposure.

The declared vibration emission level represents the main applications of the tool. However if the tool is used for different applications, with different accessories or poorly maintained, the vibration emission may differ. This may significantly increase the exposure level over the total working period.

An estimation of the level of exposure to vibration should also take into account the times when the tool is switched off or when it is running but not actually doing the job. This may significantly reduce the exposure level over the total working period.

Identify additional safety measures to protect the operator from the effects of vibration such as: maintain the tool and the accessories, keep the hands warm, organisation of work patterns.

⚠ WARNING Read all safety warnings, instructions, illustrations and specifications provided with this power tool. Failure to follow all instructions listed below may result in electric shock, fire and/or serious injury.

Save all warnings and instructions for future reference.

⚠ SAFETY INSTRUCTIONS FOR BREAKER HAMMER

Wear ear protectors. Exposure to noise can cause hearing loss.

Hold the power tool by insulated gripping surfaces only, when performing an operation where the cutting accessory may contact hidden wiring or its own cord.

Cutting accessory contacting a "live" wire may make exposed metal parts of the power tool "live" and could give the operator an electric shock.

Use auxiliary handle(s), if supplied with the tool. Loss of control can cause personal injury.

ADDITIONAL SAFETY AND WORKING INSTRUCTIONS

Use protective equipment. Always wear safety glasses when working with the machine. The use of protective clothing is recommended, such as dust mask, protective gloves, sturdy non-slip footwear, helmet and ear defenders.

The dust produced when using this tool may be harmful to health. Do not inhale the dust. Wear a suitable dust protection mask.

Do not machine any materials that present a danger to health (e.g. asbestos).

Switch the device off immediately if the insertion tool stalls! Do not switch the device on again while the insertion tool is stalled, as doing so could trigger a sudden recoil with a high reactive force. Determine why the insertion tool stalled and rectify this, paying heed to the safety instructions.

The possible causes may be:

- it is tilted in the workpiece to be machined
- it has pierced through the material to be machined
- the power tool is overloaded

Do not reach into the machine while it is running.

The insertion tool may become hot during use.

WARNING! Danger of burns

- when changing tools
- when setting the device down

Keep mains lead clear from working range of the machine. Always lead the cable away behind you.

When working in walls ceiling, or floor, take care to avoid electric cables and gas or waterpipes.

Always disconnect the plug from the socket before carrying out any work on the machine.

Always keep a safe footing and hold machine with both hands. Keep children or animals away from working area.

Do not direct the machine towards people standing close whilst it is operating. The inserted tool could be catapulted out and cause serious injuries.

Ensure that nobody is at risk of materials being catapulted out or falling. Always work carefully and attempt to anticipate potential dangers.

Put down the machine carefully. Do not throw the machine to the ground or drop it from great heights. If it is thrown to the ground, the machine may injure others or suffer damage itself.

SPECIFIED CONDITIONS OF USE

The hammer can be used for chiselling in stone and concrete.

Do not use this product in any other way as stated for normal use.

MAINS CONNECTION

Appliances used at many different locations including wet room and open air must be connected via a residual current device (FI, RCD, PRCD) of 30mA or less.

Connect only to single-phase AC system voltage as indicated on the rating plate. It is also possible to connect to sockets without an earthing contact as the design conforms to safety class II.

Make sure the machine is switched off before plugging in.

This is a device for professional use which may slightly exceed the guide values for current harmonics when it is connected to the public low voltage mains supply. You should therefore contact your energy supply company before you connect the device to the public low voltage mains supply.

RESTART PROTECTION

A zero-voltage switch prevents the machine from restarting after a power failure. On resuming work, switch the machine off and then back on again.

TRANSPORT, HANDLING AND STORAGE

The machine is heavy. It may cause serious injuries if it is dropped.

The machine has no lifting or lashing points.

Lift the machine using the additional handle and place it on a suitable means of transport.

Secure the machine whilst it is being lifted, transported or stored to prevent it tipping over, falling or slipping.

Always allow the machine to cool down before placing it in storage.

Store the machine in a locked, clean, dry place which is protected from frost and inaccessible for children.

CHANGING THE TOOL

See the picture section for instructions on changing the tool.

The inserted tool must be suitable for the tool mounting.

The shaft of the inserted tool must be undamaged.

The inserted tool must be adequately sharp to prevent recoil.

The inserted tool must be suitable for the planned work.

After inserting the tool, check whether it has been locked correctly.

MAINTENANCE

The ventilation slots of the machine must be kept clear at all times.


Important note! If the carbon brushes are worn, in addition to exchanging the brushes the tool should be sent to after-sales service. This will ensure long service life and top performance.

If the supply cord of this appliance is damaged, it must only be replaced by a repair shop appointed by the manufacturer, to avoid hazardous situations.

Use only Milwaukee accessories and Milwaukee spare parts. Should components need to be replaced which have not been described, please contact one of our Milwaukee service agents (see our list of guarantee/service addresses).

If needed, an exploded view of the tool can be ordered. Please state the machine type printed as well as the six-digit No. on the label and order the drawing at your local service agents or directly at: Techtronic Industries GmbH, Max-Eyth-Straße 10, 71364 Winnenden, Germany.

SYMBOLS

	CAUTION! WARNING! DANGER!
	Remove the battery pack before starting any work on the machine.
	Please read the instructions carefully before starting the machine.
	Wear gloves!
	Wear ear protectors!
	Always wear goggles when using the machine.
	Caution – hot surfaces!
	The guaranteed sound power level shown on this label is 99 dB.



Do not dispose electric tools, batteries/ rechargeable batteries together with household waste material.

Electric tools and batteries that have reached the end of their life must be collected separately and returned to an environmentally compatible recycling facility.

Check with your local authority or retailer for recycling advice and collection point.



European Conformity Mark



Regulatory Compliance Mark (RCM). Product meets applicable regulatory requirements.



Ukraine Conformity Mark



EurAsian Conformity Mark

EC-DECLARATION OF CONFORMITY

We declare under our sole responsibility that the product described under "Technical Data" fulfills all the relevant regulations and the directives 2011/65/EU (RoHS), 2014/30/EU, 2006/42/EC and the following harmonized standards have been used:

EN 60745-1 :2009+A11:2010
EN 60745-2-6:2010
EN 55014-1:2017
EN 55014-2:2015
EN 61000-3-2:2014
EN 61000-3-3:2013
EN IEC 63000:2018

Measured sound power level 96 dB(A)

Guaranteed sound power level 99 dB(A)
Uncertainty K = 3 dB(A)

Conformity assessment procedure according 2000/14/EC to Annex VI.

Notified Body:
DEKRA Certification B.V. (0344)
Meander 1051/P.O.Box 5185
6825 MS ARNHEIM/6802 ED ARNHEIM
Netherlands

Winnenden, 2019-03-03

Alexander Krug
Managing Director



Authorized to compile the technical file

Techtronic Industries GmbH
Max-Eyth-Straße 10
71364 Winnenden
Germany

TECHNISCHE DATEN

MEISSELHAMMER

K 1000 S (220-240 V)

Produktionsnummer 4555 01 01...
.....000001-999999
Nennaufnahmeleistung..... 1750 W
Abgabeleistung..... 900 W
Lastschlagzahl max..... 1400-1950 min⁻¹
Einzelschlagstärke entsprechend EPTA-Procedure 05/2009 26 J
Werkzeugaufnahme SDS-MAX
Gewicht nach EPTA-Prozedur 01/2014 13,0 kg

Geräuschinformationen

Messwerte ermittelt entsprechend EN 60 745.

Der A-bewertete Geräuschpegel des Gerätes beträgt

typischerweise:

Schalldruckpegel (Unsicherheit K=3dB(A)) 85 dB (A)

Schalleistungspegel (Unsicherheit K=3dB(A)) 96 dB (A)

Gehörschutz tragen!

Vibrationsinformationen

Schwingungsgesamtwerte (Vektorsumme dreier Richtungen)

ermittelt entsprechend EN 60745:

Meißeln

Schwingungsemissionswert a_w 6,7 m/s²

Unsicherheit K= 2 m/s²

WARNUNG

Der in diesen Anweisungen angegebene Schwingungspegel ist entsprechend einem in EN 60745 genormten Messverfahren gemessen worden und kann für den Vergleich von Elektrowerkzeugen miteinander verwendet werden. Er eignet sich auch für eine vorläufige Einschätzung der Schwingungsbelastung.

Der angegebene Schwingungspegel repräsentiert die hauptsächlichlichen Anwendungen des Elektrowerkzeugs. Wenn allerdings das Elektrowerkzeug für andere Anwendungen, mit abweichenden Einsatzwerkzeugen oder ungenügender Wartung eingesetzt wird, kann der Schwingungspegel abweichen. Dies kann die Schwingungsbelastung über den gesamten Arbeitszeitraum deutlich erhöhen.

Für eine genaue Abschätzung der Schwingungsbelastung sollten auch die Zeiten berücksichtigt werden, in denen das Gerät abgeschaltet ist oder zwar läuft, aber nicht tatsächlich im Einsatz ist. Dies kann die Schwingungsbelastung über den gesamten Arbeitszeitraum deutlich reduzieren.

Legen Sie zusätzliche Sicherheitsmaßnahmen zum Schutz des Bedieners vor der Wirkung von Schwingungen fest wie zum Beispiel: Wartung von Elektrowerkzeug und Einsatzwerkzeugen, Warmhalten der Hände, Organisation der Arbeitsabläufe.

⚠️ WARNUNG! Lesen Sie alle Sicherheitshinweise und Anweisungen. Versäumnisse bei der Einhaltung der Sicherheitshinweise und Anweisungen können elektrischen Schlag, Brand und/oder schwere Verletzungen verursachen. **Bewahren Sie alle Sicherheitshinweise und Anweisungen für die Zukunft auf.**

⚠️ SICHERHEITSHINWEISE FÜR MEISSELHÄMMER

Tragen Sie Gehörschutz Die Einwirkung von Lärm kann Hörverlust bewirken.

Halten Sie das Elektrowerkzeug nur an den isolierten Griffflächen, wenn Sie Arbeiten ausführen, bei denen das Einsatzwerkzeug verborgene Stromleitungen oder das eigene Netzkabel treffen kann. Der Kontakt mit einer spannungsführenden Leitung kann auch metallene Geräteteile unter Spannung setzen und zu einem elektrischen Schlag führen.

Benutzen Sie die Zusatzhandgriffe, wenn diese mit dem Gerät mitgeliefert werden. Der Verlust der Kontrolle kann zu Verletzungen führen.

WEITERE SICHERHEITS- UND ARBEITSHINWEISE

Schutzausrüstung verwenden. Beim Arbeiten mit der Maschine stets Schutzbrille tragen. Schutzkleidung wie Staubschutzmaske, Schutzhandschuhe, festes und

rutschsicheres Schuhwerk, Helm und Gehörschutz werden empfohlen.

Beim Arbeiten entstehender Staub ist oft gesundheitsschädlich und sollte nicht in den Körper gelangen. Geeignete Staubschutzmaske tragen.

Es dürfen keine Materialien bearbeitet werden, von denen eine Gesundheitsgefährdung ausgeht (z.B. Asbest).

Beim Blockieren des Einsatzwerkzeuges bitte das Gerät sofort ausschalten! Schalten Sie das Gerät nicht wieder ein, solange das Einsatzwerkzeug blockiert ist; hierbei könnte ein Rückschlag mit hohem Reaktionsmoment entstehen. Ermitteln und beheben Sie die Ursache für die Blockierung des Einsatzwerkzeuges unter Berücksichtigung der Sicherheitshinweise.

Mögliche Ursachen dafür können sein:

- Verkanten im zu bearbeitenden Werkstück
- Durchbrechen des zu bearbeitenden Materials
- Überlasten das Elektrowerkzeuges

Greifen Sie nicht in die laufende Maschine.

Das Einsatzwerkzeug kann während der Anwendung heiß werden.

⚠️ WARNUNG! Verbrennungsgefahr

- bei Werkzeugwechsel
- bei Ablegen des Gerätes

Anschlusskabel stets vom Wirkungsbereich der Maschine fernhalten. Kabel immer nach hinten von der Maschine wegführen.

Beim Arbeiten in Wand, Decke oder Fußboden auf elektrische Kabel, Gas- und Wasserleitungen achten.

Vor allen Arbeiten an der Maschine Stecker aus der Steckdose ziehen.

Beim Arbeiten sicheren Stand einnehmen und Gerät immer mit beiden Händen an den zwei Griffen halten. Im Arbeitsbereich dürfen sich keine anderen Personen - vor allem keine Kinder - oder Tiere aufhalten.

Richten Sie die Maschine während des Betriebs nicht auf umstehende Personen. Das Einsatzwerkzeug könnte herausschnellen und schwere Verletzungen verursachen.

Achten Sie darauf, dass keine Personen durch weggeschleuderte oder herabfallende Materialien gefährdet werden. Arbeiten Sie immer sehr aufmerksam und vorausschauend.

Legen Sie das Gerät behutsam ab. Werfen Sie das Gerät nicht auf den Boden oder von größeren Höhen herab. Beim Herabwerfen kann das Gerät andere Personen verletzen oder selbst beschädigt werden.

BESTIMMUNGSGEMÄSSE VERWENDUNG

Der Meißelhammer ist einsetzbar zum Meißeln in Gestein und Beton.

Dieses Gerät darf nur wie angegeben bestimmungsgemäß verwendet werden.

NETZANSCHLUSS

Steckdosen in Feuchträumen und Außenbereichen müssen mit Fehlerstrom-Schutzschaltern (FI, RCD, PRCD) ausgerüstet sein. Das verlangt die Installationsvorschrift für Ihre Elektroanlage. Bitte beachten Sie das bei der Verwendung unseres Gerätes.

Nur an Einphasen-Wechselstrom und nur an die auf dem Leistungsschild angegebene Netzspannung anschließen. Anschluss ist auch an Steckdosen ohne Schutzkontakt möglich, da ein Aufbau der Schutzklasse II vorliegt.

Gerät nur ausgeschaltet an die Steckdose anschließen.

Dies ist ein Gerät zur professionellen Nutzung, das die Richtwerte für Stromoberwellen beim Anschluss an das öffentliche Niederspannungsnetz geringfügig überschreiten kann. Kontaktieren Sie daher vor dem Anschluss des Gerätes an das öffentliche Niederspannungsnetz gegebenenfalls Ihr zuständiges Energieversorgungsunternehmen.

WIEDERANLAUFSCHTZ

Ein Nullspannungsschalter verhindert ein Wiederanlaufen der Maschine nach einem Stromausfall. Bei erneuter Arbeitsaufnahme Maschine ausschalten und wieder einschalten.

TRANSPORT UND LAGERUNG

Die Maschine ist schwer. Es besteht schwere Verletzungsgefahr wenn die Maschine herunterfällt.

Die Maschine hat keine Hebe- oder Verzurrpunkte.

Die Maschine am Zusatzhandgriff anheben und auf ein geeignetes Transportmittel legen.

Die Maschine beim Heben, Transportieren und Lagern gegen Umkippen, Herunterfallen oder Wegrutschen sichern.

Die Maschine vor der Einlagerung immer zuerst abkühlen lassen.

Die Maschine an einem abgesperrten, sauberen, frostgeschützten und trockenen Ort, der für Kinder unzugänglich ist lagern.

WERKZEUGEWECHSEL

Wechsel des Einsatzwerkzeuges siehe Bildteil.

- Das Einsatzwerkzeug muss für die Werkzeugaufnahme geeignet sein.
- Der Schaft des Einsatzwerkzeugs muss unbeschädigt sein.
- Das Einsatzwerkzeug muss ausreichend scharf sein, um Prellschläge zu vermeiden.
- Das Einsatzwerkzeug muss für den geplanten Einsatzzweck geeignet sein.
- Nach dem Einsetzen des Einsatzwerkzeuges prüfen, ob es ordnungsgemäß verriegelt ist.

WARTUNG

Stets die Lüftungsschlitze der Maschine sauber halten.

Bei abgenutzten Kohlebürsten sollte zusätzlich zum Kohlebürstenwechsel ein Kundendienst in einer Servicewerkstatt durchgeführt werden. Dies erhöht die Lebensdauer der Maschine und garantiert eine ständige Betriebsbereitschaft.

Wenn die Netzanschlussleitung beschädigt ist, muss diese durch eine Kundendienststelle ausgewechselt werden, um Gefährdungen zu vermeiden.

Nur Milwaukee Zubehör und Ersatzteile verwenden. Bauteile, deren Austausch nicht beschrieben wurde, bei einer Milwaukee Kundendienststelle auswechseln lassen (Broschüre Garantie/Kundendienstadressen beachten).

Bei Bedarf kann eine Explosionszeichnung des Gerätes unter Angabe der Maschinen Type und der sechsstelligen Nummer auf dem Leistungsschild bei Ihrer Kundendienststelle oder direkt bei Techtronic Industries GmbH, Max-Eyth-Straße 10, 71364 Winnenden, Germany angefordert werden.

SYMBOLE



ACHTUNG! WARNUNG! GEFAHR!



Vor allen Arbeiten an der Maschine Stecker aus der Steckdose ziehen.



Bitte lesen Sie die Gebrauchsanweisung vor Inbetriebnahme sorgfältig durch.



Schutzhandschuhe tragen!



Gehörschutz tragen!



Beim Arbeiten mit der Maschine stets Schutzbrille tragen.



Vorsicht!
Warnung vor heißer Oberfläche.



Der garantierte Schalleistungspegel beträgt 99 dB



Elektrogeräte dürfen nicht zusammen mit dem Hausmüll entsorgt werden. Elektrische und elektronische Geräte sind getrennt zu sammeln und zur umweltgerechten Entsorgung bei einem Verwertungsbetrieb abzugeben. Erkundigen Sie sich bei den örtlichen Behörden oder bei Ihrem Fachhändler nach Recyclinghöfen und Sammelstellen.



Europäisches Konformitätszeichen



Regulatory Compliance Mark (RCM). Das Produkt erfüllt die geltenden Vorschriften.



Ukrainisches Konformitätszeichen



Euroasiatisches Konformitätszeichen

CE-KONFORMITÄTSERKLÄRUNG

Wir erklären in alleiniger Verantwortung, dass das unter „Technische Daten“ beschriebene Produkt mit alle relevanten Vorschriften der Richtlinie 2011/65/EU (RoHS), 2014/30/EU, 2006/42/EG und den folgenden harmonisierten normativen Dokumenten übereinstimmt:

EN 60745-1 :2009+A11:2010
EN 60745-2-6:2010
EN 55014-1:2017
EN 55014-2:2015
EN 61000-3-2:2014
EN 61000-3-3:2013
EN IEC 63000:2018

Gemessener Schalleistungspegel: 96 dB(A)
Garantierter Schalleistungspegel: 99 dB(A)
Unsicherheit K = 3 dB(A)

Konformitätsbewertungsverfahren gemäß 2000/14/EC Anhang VI.

Benannte Stelle:
DEKRA Certification B.V. (0344)
Meander 1051/P.O.Box 5185
6825 MS ARNHEM/6802 ED ARNHEM
Netherlands

Winnenden, 2019-03-03

Alexander Krug
Managing Director



Bevollmächtigt die technischen Unterlagen zusammenzustellen.

Techtronic Industries GmbH
Max-Eyth-Straße 10
71364 Winnenden
Germany

Numéro de série	4555 01 01... ...000001-999999
Puissance nominale de réception.....	1750 W
Puissance utile	900 W
Perçage à percussion charge max.	1400-1950 min ⁻¹
Puissance de frappe individuelle suivant EPTA-Procédure 05/2009	26 J
Système de fixation	SDS-MAX
Poids suivant EPTA-Procédure 01/2014	13,0 kg

Informations sur le bruit

Valeurs de mesure obtenues conformément à la EN 60 745..

Les mesures réelles (A) des niveaux acoustiques de

l'appareil sont :

Niveau de pression acoustique (Incertitude K=3dB(A)) 85 dB (A)

Niveau d'intensité acoustique (Incertitude K=3dB(A))..... 96 dB (A)

Toujours porter une protection acoustique!

Informations sur les vibrations

Valeurs totales des vibrations (somme vectorielle de trois sens) établies conformément à EN 60745.

Burinage

Valeur d'émission vibratoire a_v..... 6,7 m/s²

Incertitude K= 2 m/s²

AVERTISSEMENT!

Le niveau vibratoire indiqué dans ces instructions a été mesuré selon un procédé de mesure normalisé dans la norme EN 60745 et peut être utilisé pour comparer des outils électriques entre eux. Il convient aussi à une estimation provisoire de la sollicitation par les vibrations.

Le niveau vibratoire indiqué représente les applications principales de l'outil électrique. Toutefois, si l'outil électrique est utilisé pour d'autres applications, avec des outils rapportés qui diffèrent ou une maintenance insuffisante, il se peut que le niveau vibratoire diverge. Cela peut augmenter nettement la sollicitation par les vibrations sur tout l'intervalle de temps du travail.

Pour une estimation précise de la sollicitation par les vibrations, on devrait également tenir compte des temps pendant lesquels l'appareil n'est pas en marche ou tourne sans être réellement en service. Cela peut réduire nettement la sollicitation par les vibrations sur tout l'intervalle de temps du travail.

Définissez des mesures de sécurité supplémentaires pour protéger l'utilisateur contre l'influence des vibrations, comme par exemple : la maintenance de l'outil électrique et des outils rapportés, le maintien au chaud des mains, l'organisation des déroulements de travail.

AVERTISSEMENT! Lire tous les avertissements de sécurité, les instructions opérationnelles, les illustrations et les spécifications fournies avec cet outil électrique. La non observance des instructions mentionnées ci-dessous peut causer des chocs électriques, des incendies ou de graves blessures.

Conserver tous les avertissements et toutes les instructions pour pouvoir s'y reporter ultérieurement.

AVERTISSEMENTS DE SÉCURITÉ POUR LES MARTEAUX PIQUEURS

Portez une protection acoustique. L'influence du bruit peut provoquer la surdité.

Maintenez l'appareil par les surfaces de poignée isolées lorsque vous exécutez des travaux pendant lesquels l'outil de coupe peut toucher des lignes électriques dissimulées. Le contact de l'outil de coupe avec un câble qui conduit la tension peut mettre les pièces métalliques de l'appareil sous tension et mener à une décharge électrique.

Utilisez les poignées supplémentaires livrées en même temps que l'appareil. La perte de contrôle peut mener à des blessures.

AVIS COMPLÉMENTAIRES DE SÉCURITÉ ET DE TRAVAIL

Utiliser l'équipement de protection. Toujours porter des lunettes de protection pendant le travail avec la machine. Il est recommandé de porter des articles de protection, tels que masque antipoussière, gants de protection, chaussures tenant bien aux pieds et antidérapantes, casque et protection acoustique.

Les poussières qui sont dégagées pendant les travaux sont souvent nocives pour la santé et ne devraient pas pénétrer dans le corps. Porter un masque de protection approprié contre les poussières.

Il est interdit de travailler des matériaux dangereux pour la santé (par ex. amiante).

Désactiver immédiatement le dispositif en cas de blocage ! Ne pas réactiver le dispositif avec l'outil bloqué; il y a le risque de provoquer un contrecoup avec moment de réaction élevé. Établir et éliminer la cause du blocage de l'outil en prêtant attention aux consignes de sécurité.

Les causes possibles sont :

- Encastrement dans la pièce à travailler.
- Le dispositif a traversé le matériau à travailler en le cassant.
- Le dispositif électrique a été surchargé.

Ne pas approcher les mains de la partie en mouvement de la machine.

Durant l'utilisation, l'outil peut se surchauffer.

AVERTISSEMENT! Danger de brûlures

- durant le remplacement de l'outil
- durant la dépose de l'outil

Le câble d'alimentation doit toujours se trouver en dehors du champ d'action de la machine. Toujours maintenir le câble d'alimentation à l'arrière de la machine.

Lors du perçage dans les murs, les plafonds ou les planchers, toujours faire attention aux câbles électriques et aux conduites de gaz et d'eau.

Avant tous travaux sur la machine extraire la fiche de la prise de courant.

Pour travailler, prendre une position stable et toujours tenir la machine des deux mains aux deux poignées. Eloigner les autres personnes - surtout les enfants - et les animaux du lieu de travail.

Lors du fonctionnement, ne pas diriger l'appareil vers les personnes qui se trouvent près de vous. L'outil à insertion pourrait se désenfiler et causer de graves blessures.

S'assurer que près de vous il n'y ait pas des personnes pouvant être exposées à des dangers causés par de matériaux éjectés ou croulants. Toujours travailler avec beaucoup d'attention et de prévoyance.

Déposer l'appareil avec précaution. Ne pas jeter à terre l'appareil ou le faire tomber du haut. En jetant l'appareil du haut, on pourrait causer des blessures à d'autres personnes ou à soi-même.

UTILISATION CONFORME AUX PRESCRIPTIONS

Le brise-béton peut-être utilisé pour de gros travaux de burinage dans la maçonnerie et de béton

Comme déjà indiqué, cette machine n'est conçue que pour être utilisée conformément aux prescriptions.

BRANCHEMENT SECTEUR

Les prises de courant se trouvant à l'extérieur doivent être équipées de disjoncteurs différentiel (FI, RCD, PRCD) conformément aux prescriptions de mise en place de votre installation électrique. Veuillez en tenir compte lors de l'utilisation de notre appareil.

Raccorder uniquement à un courant électrique monophasé et uniquement à la tension secteur indiquée sur la plaque signalétique. Le raccordement à des prises de courant sans contact de protection est également possible car la classe de protection II est donnée.

Ne relier l'appareil à la prise de courant que lorsqu'il est débranché.

Il s'agit ici d'un appareil pour l'utilisation professionnelle qui peut dépasser légèrement les valeurs de référence pour les ondes harmoniques du courant lors du branchement au réseau public de basse tension. C'est pourquoi vous devriez contacter le cas échéant votre entreprise compétente en matière d'approvisionnement en énergie avant de brancher l'appareil au réseau public de basse tension.

DISPOSITIF DE PROTECTION CONTRE UN REDÉMARRAGE

Un commutateur à potentiel zéro empêche un redémarrage de la machine après une panne de courant. Lors de la reprise du travail, éteindre la machine et l'enclencher à nouveau.

TRANSPORT, MANUTENTION, STOCKAGE

L'appareil est lourd. Il y a danger de graves blessures en cas de chute de l'appareil.

L'appareil n'est pas pourvu de points de levage ou d'élingage.

Lever l'appareil à l'aide de la poignée additionnelle et la placer sur un moyen de transport approprié.

Lors du levage, le transport et le rangement de l'appareil le fixer en vue d'éviter le renversement, la chute ou le glissement.

Avant de ranger l'appareil, toujours la faire refroidir.

Ranger l'appareil dans un endroit fermé à clé, propre, protégé contre le gel et sec, non accessible aux enfants.

CHANGEMENT OUTIL

Changement de l'outil à insertion, voir la partie avec images.

L'outil à insertion doit être approprié pour le porte-outil.

La tige de l'outil à insérer ne doit pas être endommagée.

L'outil à insertion doit être suffisamment pointu en vu d'éviter des coups à vide.

L'outil à insertion doit être approprié pour l'usage prévu.

Après avoir inséré l'outil à insertion s'assurer qu'il soit correctement fixé.

ENTRETIEN

Tenir toujours propres les orifices de ventilation de la machine.

Attention! Lorsque les balais (charbons) sont usés, il est recommandé de faire effectuer, outre le changement des balais (charbons), une inspection dans une station de service après-vente. Ceci augmente la durée de vie de la machine et garantit un fonctionnement permanent de la machine.

Si le remplacement du câble d'alimentation est nécessaire, cela doit être réalisé par le fabricant ou son agent our éviter un danger.

Utiliser uniquement les accessoires Milwaukee et les pièces détachées Milwaukee. Faire remplacer les composants dont le remplacement n'a pas été décrit, par un des centres de service après-vente Milwaukee (observer la brochure avec les adresses de garantie et de service après-vente).

En cas de besoin il est possible de demander un dessin éclaté du dispositif en indiquant le modèle de la machine et le numéro de six chiffres imprimé sur la plaquette de puissance et en s'adressant au centre d'assistance technique ou directement à Techtronic Industries GmbH, Max-Eyth-Straße 10, 71364 Winnenden, Germany.

	ATTENTION! AVERTISSEMENT! DANGER!
	Avant tous travaux sur la machine retirer l'accu interchangeable.
	Veuillez lire avec soin le mode d'emploi avant la mise en service
	Porter des gants de protection!
	Toujours porter une protection acoustique!
	Toujours porter des lunettes protectrices en travaillant avec la machine.
	Attentions, surfaces très chaudes !
	Le niveau de puissance sonore garanti suivant la plaquette d'usine est de 99 dB.
	Les dispositifs électriques, les batteries et les batteries rechargeables ne sont pas à éliminer dans les déchets ménagers. Les dispositifs électriques et les batteries sont à collecter séparément et à remettre à un centre de recyclage en vue de leur élimination dans le respect de l'environnement. S'adresser aux autorités locales ou au détaillant spécialisé en vue de connaître l'emplacement des centres de recyclage et des points de collecte.
	Marque de conformité européenne
	Regulatory Compliance Mark (RCM). Le produit est conforme aux prescriptions en vigueur.
	Marque de conformité ukrainienne
	Marque de conformité d'Eurasie

Nous déclarons sous notre seule responsabilité que le produit décrit sous « Caractéristiques techniques » concorde avec toutes les consignes pertinentes de la directive 2011/65 EU (RoHS), 2014/30/UE, 2006/42/CE et les documents normatifs harmonisés suivants :

EN 60745-1 :2009+A11:2010
EN 60745-2-6:2010
EN 55014-1:2017
EN 55014-2:2015
EN 61000-3-2:2014
EN 61000-3-3:2013
EN IEC 63000:2018

Niveau de puissance acoustique mesuré 96 dB(A)

Niveau de puissance acoustique garanti 99 dB(A)
Incertitude K= 3 dB(A)

Procédure d'évaluation de la conformité suivant 2000/14/CE annexe VI.

Service administratif cité:
DEKRA Certification B.V. (0344)
Meander 1051/P.O.Box 5185
6825 MS ARNHEIM/6802 ED ARNHEIM
Netherlands
Winnenden, 2019-03-03

Alexander Krug
Managing Director



Autorisé à compiler la documentation technique.

Techtronic Industries GmbH
Max-Eyth-Straße 10
71364 Winnenden
Germany

Numero di serie 4555 01 01...
.....000001-999999
Potenza assorbita nominale 1750 W
Potenza erogata 900 W
Percussione a pieno carico, max. 1400-1950 min⁻¹
Forza colpo singolo corrispondente alla procedura EPTA 05/2009 26 J
Attacco utensili SDS-MAX
Peso secondo la procedura EPTA 01/2014 13,0 kg

Informazioni sulla rumorosità

Valori misurati conformemente alla norma EN 60 745.

La misurazione A del livello di pressione acustica dell'utensile è di solito di:

Livello di rumorosità (Incertezza della misura K=3dB(A)) 85 dB (A)
Potenza della rumorosità (Incertezza della misura K=3dB(A)) 96 dB (A)

Utilizzare le protezioni per l'udito!

Informazioni sulla vibrazione

Valori totali delle oscillazioni (somma di vettori in tre direzioni) misurati conformemente alla norma EN 60745

Scalpellare

Valore di emissione dell'oscillazione a_v 6,7 m/s²
Incertezza della misura K= 2 m/s²

AVVERTENZA!

Il livello di vibrazioni indicato nelle presenti istruzioni è stato misurato in conformità con un procedimento di misurazione codificato nella EN 60745 e può essere utilizzato per un confronto tra attrezzi elettrici. Inoltre si può anche utilizzare per una valutazione preliminare della sollecitazione da vibrazioni.

Il livello di vibrazioni indicato rappresenta le applicazioni principali dell'attrezzo elettrico. Se viceversa si utilizza l'attrezzo elettrico per altri scopi, con accessori differenti o con una manutenzione insufficiente, il livello di vibrazioni può risultare diverso. E questo può aumentare decisamente la sollecitazione da vibrazioni lungo l'intero periodo di lavorazione.

Ai fini di una valutazione precisa della sollecitazione da vibrazioni si dovrebbero tenere presente anche i periodi in cui l'apparecchio rimane spento oppure, anche se acceso, non viene effettivamente utilizzato. Ciò può ridurre notevolmente la sollecitazione da vibrazioni lungo l'intero periodo di lavorazione.

Stabilite misure di sicurezza supplementari per la tutela dell'operatore dall'effetto delle vibrazioni, come ad esempio: manutenzione dell'attrezzo elettrico e degli accessori, riscaldamento delle mani, organizzazione dei processi di lavoro.

AVVERTENZA! Leggere tutte le avvertenze di sicurezza, istruzioni operative, illustrazioni e specifiche fornite con questo elettro-utensile. Il mancato rispetto delle istruzioni di seguito riportate può causare scosse elettriche, incendi e/o lesioni gravi.

Conservare tutte le avvertenze di pericolo e le istruzioni operative per ogni esigenza futura.

AVVERTENZE DI SICUREZZA PER MARTELLI DEMOLITORI

Indossare protezioni acustiche adeguate. L'esposizione prolungata al rumore senza protezione può causare danni all'udito.

Impugnare l'apparecchio sulle superfici di tenuta isolate mentre si eseguono lavori durante i quali l'utensile da taglio potrebbe entrare in contatto con cavi di corrente. L'eventuale contatto dell'utensile da taglio con un cavo sotto tensione potrebbe mettere sotto tensione le parti metalliche dell'apparecchio e provocare una folgorazione.

Utilizzare l'utensile con la sua impugnatura supplementare. La perdita di controllo potrebbe causare danneggiamenti all'utilizzatore.

ULTERIORI AVVISI DI SICUREZZA E DI LAVORO

Usare dispositivi di protezione. Durante il lavoro con la macchina bisogna sempre portare occhiali di protezione. Si consiglia di indossare indumenti di protezione come maschera antipolvere, guanti di protezione, scarpe antiscivolo robuste, casco e cuffie di protezione acustica.

La polvere che si produce durante il lavoro è spesso dannosa per la salute e non dovrebbe essere aspirata. Portare un'adeguata mascherina protettiva.

E' vietato lavorare materiali che possono costituire pericoli alla salute (ad es. amianto).

Spegnere immediatamente il dispositivo in caso di bloccaggio! Non riaccendere il dispositivo fino a quando l'utensile ad inserto resta bloccato; esiste il rischio di causare un contraccolpo con elevato momento di reazione. Rilevare ed eliminare la causa del bloccaggio dell'utensile ad inserto tenendo conto delle indicazioni di sicurezza.

Le possibili cause sono:

- Incastro nel pezzo in lavorazione
- Il dispositivo ha attraversato il materiale da lavorare rompendolo
- Il dispositivo elettrico è stato sovraccaricato

Non avvicinare le mani alla parte della macchina in movimento.

Durante l'uso l'utensile ad inserto può surriscaldarsi.

AVVERTENZA! Pericolo di ustioni

- durante la sostituzione dell'utensile
- durante il deposito dell'utensile

Tenere sempre lontano il cavo di collegamento dall'area di lavoro dell'attrezzo.

Forando pareti, soffitti o pavimenti, si faccia attenzione ai cavi elettrici e alle condutture dell'acqua e del gas.

Prima di effettuare qualsiasi lavoro sulla macchina togliere la spina dalla presa di corrente.

Lavorando, mantenetevi in una posizione ferma e sicura, stringendo entrambe le impugnature dell'apparecchio. Si faccia attenzione che nel raggio d'azione dell'apparecchio non si trovino altre persone, in particolare bambini, o animali.

Durante il funzionamento non dirigere la macchina verso le persone che si trovano nelle vicinanze. L'utensile ad inserto potrebbe sfilarsi e causare gravi lesioni.

Accertarsi che nelle vicinanze non si trovino persone che potrebbero essere esposte a pericolo da materiali eiettati o cadenti. Lavorare sempre con molta attenzione e previdenza.

Depositare il dispositivo procedendo con cautela. Non gettare il dispositivo in terra o farlo cadere dall'alto.

Gettando il dispositivo dall'alto si potrebbero causare lesioni ad altre persone o a se stessi.

UTILIZZO CONFORME

Il martello può essere utilizzato per scalpellare la pietra e cemento.

Utilizzare il prodotto solo per l'uso per cui è previsto.

COLLEGAMENTO ALLA RETE

Gli apparecchi mobili usati all'aperto devono essere collegati interponendo un interruttore di sicurezza (FI, RCD, PRCD) per guasti di corrente.

Connettere solo corrente alternata mono fase e solo al sistema di voltaggio indicato sulla piastra. E' possibile anche connettere la presa senza un contatto di messa a terra così come prevede lo schema conforme alla norme di sicurezza di classe II.

Inserire la spina nella presa di corrente solo ad apparecchio spento

Si tratta di un apparecchio per uso professionale che collegato alla rete elettrica pubblica a basso voltaggio può superare leggermente i valori di riferimento per le armoniche di corrente. Pertanto prima di collegare l'apparecchio alla rete elettrica pubblica a basso voltaggio contattare eventualmente la competente impresa erogatrice di energia elettrica.

PROTEZIONE CONTRO IL RIAVVIO

Interruttore di sicurezza che previene l'avviamento accidentale dell'utensile dopo una interruzione di corrente nella rete elettrica. Per ripristinare il funzionamento, riportare l'interruttore in posizione di spento e quindi premere nuovamente l'interruttore.

TRASPORTO, MANIPOLAZIONE, IMMAZZINAGGIO

La macchina è pesante. Sussiste il pericolo di gravi lesioni se la macchina cade.

La macchina non ha punti di sollevamento o di imbracatura.

Sollevarla la macchina dall'impugnatura aggiuntiva ed appoggiarla su di un idoneo mezzo di trasporto.

Durante il sollevamento, trasporto ed immagazzinaggio della macchina assicurarla contro il rovesciamento, la caduta o lo scivolamento.

Prima di immagazzinare la macchina, farla sempre raffreddare.

Immagazzinare la macchina in un luogo chiuso a chiave, pulito, protetto contro il gelo ed asciutto, non accessibile ai bambini.

SOSTITUZIONE UTENSILE

Sostituzione dell'utensile ad inserto, vedi la parte con immagini.

L'utensile ad inserto deve essere idoneo per l'attacco utensile.

Lo stelo dell'utensile ad inserto non deve essere danneggiato.

L'utensile ad inserto deve essere sufficientemente appuntito per evitare colpi a vuoto.

L'utensile ad inserto deve essere idoneo per la finalità di utilizzo prevista.

Dopo aver inserito l'utensile ad inserto accertarsi che sia correttamente bloccato.

MANUTENZIONE

Tener sempre ben pulite le fessure di ventilazione dell'apparecchio.

Informazione importante! Nel caso che il carboncino si sia consumato oltre il limite di sostituzione è necessario portare l'apparecchio ad un centro di assistenza, onde garantite la massima affidabilità ed efficienza dello stesso.

Se il cavo di allacciamento elettrico è danneggiato, deve essere immediatamente sostituito dal punto di servizio assistenza, perché allo scopo serve un utensile speciale.

Usare solo accessori Milwaukee e pezzi di ricambio Milwaukee. Gruppi costruttivi la cui sostituzione non è stata descritta, devono essere fatti cambiare da un punto di servizio di assistenza tecnica al cliente Milwaukee (vedi depliant garanzia/indirizzi assistenza tecnica ai clienti).

In caso di necessità è possibile richiedere un disegno esploso del dispositivo indicando il modello della macchina ed il numero a sei cifre sulla targa di potenza rivolgendosi al centro di assistenza tecnica o direttamente a Techtronic Industries GmbH, Max-Eyth-Straße 10, 71364 Winnenden, Germany.

SIMBOLI



ATTENZIONE! AVVERTENZA! PERICOLO!



Prima di iniziare togliere la batteria dalla macchina.



Leggere attentamente le istruzioni per l'uso prima di mettere in funzione l'elettro utensile.



Indossare guanti protettivi!



Utilizzare le protezioni per l'udito!



Durante l'uso dell'apparecchio utilizzare sempre gli occhiali di protezione.



Attenzione, superfici molto calde!



Il livello di potenza sonora garantita come da targhetta di fabbrica è di 99 dB.



I dispositivi elettrici, le batterie e le batterie ricaricabili non devono essere smaltiti con i rifiuti domestici.

I dispositivi elettrici e le batterie devono essere raccolti separatamente e devono essere conferiti ad un centro di riciclaggio per lo smaltimento rispettoso dell'ambiente.

Chiedere alle autorità locali o al rivenditore specializzato dove si trovano i centri di riciclaggio e i punti di raccolta.



Marchio di conformità europeo



Regulatory Compliance Mark (RCM). Il prodotto soddisfa le prescrizioni in vigore.



Marchio di conformità ucraino



Marchio di conformità euroasiatico

DICHIARAZIONE DI CONFORMITÀ CE

Dichiariamo sotto la nostra esclusiva responsabilità che il prodotto descritto ai "Dati tecnici" corrisponde a tutte le disposizioni delle direttive 2011/65/EU (RoHS), 2014/30/UE, 2006/42/CE e successivi documenti normativi armonizzati:

EN 60745-1 :2009+A11:2010
EN 60745-2-6:2010
EN 55014-1:2017
EN 55014-2:2015
EN 61000-3-2:2014
EN 61000-3-3:2013
EN IEC 63000:2018

Livello di potenza sonora misurato 96 dB(A)

Livello di potenza sonora garantito 99 dB(A)
Incertezza della misura K= 3 dB(A)

Procedura di valutazione della conformità secondo 2000/14/CE allegato VI.

Ufficio designato:
DEKRA Certification B.V. (0344)
Meander 1051/P.O.Box 5185
6825 MS ARNHEIM/6802 ED ARNHEIM
Netherlands

Winnenden, 2019-03-03

Alexander Krug
Managing Director



Autorizzato alla preparazione della documentazione tecnica

Techtronic Industries GmbH
Max-Eyth-Straße 10
71364 Winnenden
Germany

DATOS TÉCNICOS MARTILLO CINCELADOR K 1000 S (220-240 V)

Número de producción	4555 01 01... ...000001-999999
Potencia de salida nominal.....	1750 W
Potencia entregada	900 W
Frecuencia de impactos bajo carga.....	1400-1950 min ⁻¹
Energía por percusión según EPTA-Procedure 05/2009	26 J
Inserción de herramientas	SDS-MAX
Peso de acuerdo con el procedimiento EPTA 01/2014	13,0 kg

Información sobre ruidos

Determinación de los valores de medición según norma EN 60745.

El nivel de ruido típico del aparato determinado con un filtro

A corresponde a:

Presión acústica (Tolerancia K=3dB(A))..... 85 dB (A)

Resonancia acústica (Tolerancia K=3dB(A))..... 96 dB (A)

Usar protectores auditivos!

Informaciones sobre vibraciones

Nivel total de vibraciones (suma vectorial de tres direcciones) determinado según EN 60745.

Cinzelar

Valor de vibraciones generadas a_h..... 6,7 m/s²

Tolerancia K=..... 2 m/s²

ADVERTENCIA!

El nivel vibratorio indicado en estas instrucciones ha sido medido conforme a un método de medición estandarizado en la norma EN 60745, y puede utilizarse para la comparación entre herramientas eléctricas. También es apropiado para una estimación provisional de la carga de vibración.

El nivel vibratorio indicado representa las aplicaciones principales de la herramienta eléctrica. Si, pese a ello, se utiliza la herramienta eléctrica para otras aplicaciones, con útiles adaptables diferentes o con un mantenimiento insuficiente, el nivel vibratorio puede diferir. Esto puede incrementar sensiblemente la carga de vibración durante todo el periodo de trabajo.

Para una estimación exacta de la carga de vibración deberían tenerse en cuenta también los tiempos durante los que el aparato está apagado o, pese a estar en funcionamiento, no está siendo realmente utilizado. Esto puede reducir sustancialmente la carga de vibración durante todo el periodo de trabajo.

Adopte medidas de seguridad adicionales para la protección del operador frente al efecto de las vibraciones, como por ejemplo: mantenimiento de la herramienta eléctrica y de los útiles adaptables, mantener las manos calientes, organización de los procesos de trabajo.

ADVERTENCIA: Lea todas las advertencias de peligro, instrucciones, ilustraciones y especificaciones suministradas con esta herramienta eléctrica. En caso de no atenerse a las instrucciones siguientes, ello puede ocasionar una descarga eléctrica, un incendio y/o lesión grave.

Guardar todas las advertencias de peligro e instrucciones para futuras consultas.

INDICACIONES DE SEGURIDAD PARA MARTILLOS CINCELADORES

¡Utilice protección auditiva! La exposición a niveles de ruido excesivos puede causar pérdida de audición

Sujete el aparato de las superficies aisladas de agarre al efectuar trabajos en los cuales la perforadora de percusión pueda entrar en contacto con conductores de corriente ocultos. El contacto de la perforadora de percusión con un conducto con energía aplicada también podrá poner bajo tensión partes metálicas del aparato y causar un choque eléctrico.

¡Utilice las empuñaduras auxiliares suministradas con la herramienta! La pérdida de control de la herramienta puede causar accidentes

INSTRUCCIONES ADICIONALES DE SEGURIDAD Y LABORALES

Utilice el equipamiento de protección. Mientras trabaje con la máquina lleve siempre gafas protectoras. Se recomienda utilizar ropa de protección como máscara protectora contra el polvo, guantes protectores, calzado resistente y antideslizante, casco y protección para los oídos.

El polvo que se produce durante estos trabajos puede ser nocivo a la salud; es por ello aconsejable que no penetre al cuerpo. Utilice por ello una máscara protectora contra polvo.

No se deben trabajar materiales que conlleven un riesgo para la salud (por ej. amianto).

¡En caso de que se bloquee el útil, el aparato se debe desconectar inmediatamente! No vuelva a conectar el aparato, mientras el útil esté bloqueado; se podría producir un rechazo debido a la reacción de retroceso brusca. Averigüe y elimine la causa del bloqueo del útil, teniendo en cuenta las indicaciones de seguridad.

Causas posibles para ello pueden ser:

- Atascamiento o bloqueo en la pieza de trabajo
- Rotura del material con el que está trabajando
- Sobrecarga de la herramienta eléctrica

No introduzca las manos en la máquina mientras ésta se encuentra en funcionamiento.

El útil se puede calentar durante el uso.

ADVERTENCIA! Peligro de quemaduras

- en caso de cambiar la herramienta
- en caso de depositar el aparato

Mantener siempre el cable separado del radio de acción de la máquina.

Para trabajar en paredes, techo o suelo, tenga cuidado para evitar los cables eléctricos y tuberías de gas o agua.

Desconecte siempre el enchufe antes de llevar a cabo cualquier trabajo en la máquina.

Mantenga siempre una posición firme y estable con las piernas y sujete la máquina con las dos manos. Mantenga los niños o animales lejos de la zona de trabajo.

Mientras esté en funcionamiento, no apunte con la máquina a personas cercanas. La herramienta de inserción podría salir disparada y provocar lesiones graves.

Asegúrese de que no existen riesgos para personas por lanzamiento o caída de materiales. Trabaje siempre de forma atenta y proactiva.

Tenga cuidado a la hora de depositar el aparato en algún sitio. No arroje el aparato al suelo o desde alturas elevadas. Al arrojarlo hacia abajo, el aparato puede provocar lesiones a otras personas o sufrir daños él mismo.

APLICACIÓN DE ACUERDO A LA FINALIDAD

El martillo es utilizable en trabajos de cincelados en piedras y hormigón.

No utilice este producto para ninguna otra aplicación que no sea su uso normal.

CONEXIÓN ELÉCTRICA

Conecte siempre la máquina a una red protegida por interruptor diferencial y magnetotérmico (FI, RCD, PRCD), para su seguridad personal, según normas establecidas para instalaciones eléctricas de baja tensión.

Conectar solamente a corriente AC monofásica y sólo al voltaje indicado en la placa de características. También es posible la conexión a enchufes sin toma a tierra, dado que es conforme a la Clase de Seguridad II.

Asegurarse que la máquina está desconectada antes de enchufarla.

Este es un aparato destinado al empleo profesional el cual puede exceder ligeramente los valores orientativos para armónicas de corriente al efectuar la conexión del mismo a la red pública de baja tensión. Aconsejamos por ello ponerse en caso dado en contacto con la empresa de suministro de energía competente antes de conectar el aparato.

PROTECCIÓN CONTRA EL REARRANQUE

El interruptor de tensión nula evita que la máquina arranque de nuevo después de una corte de corriente. Para volver a reanudar el trabajo desconectar la máquina y volver a conectarla.

TRANSPORTE, MANEJO Y ALMACENAJE

Esta máquina es pesada. Existe riesgo grave de lesiones si se cae la máquina.

La máquina no dispone de puntos de elevación o de amarre.

Levantar la máquina por la empuñadura adicional y colocarla sobre un medio de transporte adecuado.

Al elevar, transportar o almacenar la máquina, asegurarla contra vuelcos, caídas o deslizamientos.

Antes de almacenar la máquina, deje siempre primero que se enfríe.

Almacenar la máquina en un lugar cerrado, limpio, protegido contra heladas y seco que no sea inaccesible para niños.

SUSTITUCIÓN DE HERRAMIENTA

Sustitución de la herramienta de inserción, véase parte de la imagen.

La herramienta de inserción debe ser adecuada para el soporte portaherramientas.

El vástago de la herramienta de inserción no debe estar dañado.

La herramienta de inserción debe ser lo suficientemente afilada como para evitar golpes de rebote.

La herramienta de inserción debe ser adecuada para el uso previsto.

Tras hacer uso de la herramienta de inserción, asegurarse de que ha sido bloqueada correctamente.

MANTENIMIENTO

Las ranuras de ventilación de la máquina deben estar despejadas en todo momento.

Cuando el martillo ha gastado las escobillas nunca se deberán sustituir! el martillo deberá ser enviado a un servicio técnico oficial para efectuarle un mantenimiento de servicio. De esta única manera queda garantizado el perfecto funcionamiento y duración de la máquina.

Si el cable de conexión a la red estuviera dañado, deberá ser sustituido en un punto de servicio técnico, para evitar situaciones de peligro.

Utilice solamente accesorios y repuestos Milwaukee. En caso de necesitar reemplazar componentes no descritos, contacte con cualquiera de nuestras estaciones de servicio Milwaukee (consultar lista de servicio técnicos)

Puede solicitar, en caso necesario, una vista despiezada del aparato bajo indicación del tipo de máquina y el número de seis dígitos en la placa indicadora de potencia en su Servicio de Postventa o directamente en Techtronic Industries GmbH, Max-Eyth-Straße 10, 71364 Winnenden, Germany.

	¡ATENCIÓN! ¡ADVERTENCIA! ¡PELIGRO!
	Retire la batería antes de comenzar cualquier trabajo en la máquina.
	Lea las instrucciones detenidamente antes de conectar la herramienta
	Usar guantes protectores
	Usar protectores auditivos!
	Para trabajar con la máquina, utilizar siempre gafas de protección.
	¡Cuidado – Superficies calientes!
	El nivel de potencia acústica garantizado según lo indicado en la placa de características es de 99 dB.
	Los electrodomésticos y las baterías/acumuladores no se deben eliminar junto con la basura doméstica. Los aparatos eléctricos y los acumuladores se deben recoger por separado y se deben entregar a una empresa de reciclaje para una eliminación respetuosa con el medio ambiente. Infórmese en las autoridades locales o en su tienda especializada sobre los centros de reciclaje y puntos de recogida.
	Marcado de conformidad europeo
	Regulatory Compliance Mark (RCM). El producto cumple las normas vigentes
	Marcado de conformidad ucraniano
	Marcado de conformidad euroasiático

Declaramos bajo nuestra responsabilidad que el producto descrito bajo "Datos técnicos" está en conformidad con todas las normas relevantes de la directiva 2011/65/EU (RoHS), 2014/30/UE, 2006/42/CE y con las siguientes normas o documentos normalizados:

- EN 60745-1 :2009+A11:2010
- EN 60745-2-6:2010
- EN 55014-1:2017
- EN 55014-2:2015
- EN 61000-3-2:2014
- EN 61000-3-3:2013
- EN IEC 63000:2018

Nivel de potencia sonora medido 96 dB(A)

Nivel de potencia sonora garantizado 99 dB(A)
Tolerancia K= 3 dB(A)

Procedimientos de evaluación de la conformidad realizados de acuerdo con la directiva 2000/14/CE, Anexo VI.

Organismo notificado:
DEKRA Certification B.V. (0344)
Meander 1051/P.O.Box 5185
6825 MS ARNHEIM/6802 ED ARNHEIM
Netherlands

Winnenden, 2019-03-03

Alexander Krug
Managing Director



Autorizado para la redacción de los documentos técnicos.

Techtronic Industries GmbH
Max-Eyth-Straße 10
71364 Winnenden
Germany

Número de produção.....	4555 01 01... ...000001-999999
Potência absorvida nominal.....	1750 W
Potência de saída.....	900 W
Frequência de percussão em carga.....	1400-1950 min ⁻¹
Força de impacto individual conforme EPTA-Procedure 05/2009.....	26 J
Recepção de pontas.....	SDS-MAX
Peso nos termos do procedimento-EPTA 01/2014.....	13,0 kg

Informações sobre ruído

Valores de medida de acordo com EN 60 745.

O nível de ruído avaliado A do aparelho é tipicamente:

Nível da pressão de ruído (Incertez K=3dB(A)) 85 dB (A)

Nível da potência de ruído (Incertez K=3dB(A))..... 96 dB (A)

Use protectores auriculares!

Informações sobre vibração

Valores totais de vibração (soma dos vectores das três direcções) determinadas conforme EN 60745.

trabalho de ponteira

Valor de emissão de vibração a_v..... 6,7 m/s²

Incerteza K= 2 m/s²

ATENÇÃO!

O nível vibratório indicado nestas instruções foi medido em conformidade com um procedimento de medição normalizado na EN 60745 e pode ser utilizado para comparar entre si ferramentas eléctricas. O mesmo é também adequado para avaliar provisoriamente o esforço vibratório.

O nível vibratório indicado representa as principais aplicações da ferramenta eléctrica. Se, no entanto, a ferramenta eléctrica for utilizada para outras aplicações, com outras ferramentas adaptadas ou uma manutenção insuficiente, o nível vibratório poderá divergir. Isto pode aumentar consideravelmente o esforço vibratório ao longo de todo o período do trabalho.

Para uma avaliação exacta do esforço vibratório devem também ser considerados os tempos durante os quais o aparelho está desligado ou está a funcionar, mas não está efectivamente a ser utilizado. Isto pode reduzir consideravelmente o esforço vibratório ao longo de todo o período do trabalho.

Defina medidas de segurança suplementares para proteger o operador do efeito das vibrações, como por exemplo: manutenção da ferramenta eléctrica e das ferramentas adaptadas, manter as mãos quentes, organização das sequências de trabalho.

⚠️ ADVERTÊNCIA Devem ser lidas todas as advertências de segurança, instruções, ilustrações e especificações fornecidas com esta ferramenta eléctrica. O desrespeito das advertências e instruções apresentadas abaixo pode causar choque eléctrico, incêndio e/ou graves lesões.

Guarde bem todas as advertências e instruções para futura referência.

⚠️ INSTRUÇÕES DE SEGURANÇA PARA O MARTELO DE CINZEL

Sempre use a protecção dos ouvidos. A influência de ruídos pode causar surdez.

Segure o aparelho nas superfícies de punho isoladas se estiver a executar trabalhos, nos quais a ferramenta de corte pode tocar em linhas eléctricas escondidas. O contacto da ferramenta de corte com uma linha sob tensão também pode colocar peças metálicas do aparelho sob tensão e levar a um choque eléctrico.

Sempre use os punhos adicionais fornecidos com o aparelho. A perda de controlo pode causar feridas.

INSTRUÇÕES DE SEGURANÇA E TRABALHO SUPLEMENTARES

Utilizar equipamento de protecção. Durante os trabalhos com a máquina, usar sempre óculos de protecção. Vestuário de protecção, bem como máscara de pó, sapatos fechados e antiderrapante, capacete e protecção auditiva são recomendados.

O pó que resulta ao trabalhar pode ser nocivo para a saúde, por isso não devendo penetrar no corpo. Use uma máscara de protecção contra pó apropriada.

Não devem ser procesados materiais que representem um perigo para a saúde (p. ex. asbesto).

Desligue o aparelho imediatamente, quando a ferramenta de inserção bloquear! Não ligue o aparelho novamente durante o bloqueio da ferramenta de inserção, pois isso pode levar a um recuo repentino com uma alta força reactiva. Verifique e elimine a causa do bloqueio da ferramenta de inserção, observando as instruções de segurança.

Causas possíveis podem ser:

- Emperramento na peça a trabalhar
- Material a processar rompido
- Sobrecarga da ferramenta eléctrica

Não toque na máquina em operação.

A ferramenta de inserção pode ficar quente durante a operação.

ATENÇÃO! Perigo de queimar-se

- na troca das ferramentas
- ao depositar o aparelho

Manter sempre o cabo de ligação fora da zona de acção da máquina.

Ao trabalhar em paredes, tectos e soalhos prestar atenção a que não sejam atingidos cabos eléctricos e canalizações de gás e água.

Antes de efectuar qualquer intervenção na máquina, tirar a ficha da tomada.

Durante o trabalho apoiar-se bem com ambos os pés no chão e segurar sempre a máquina pelos dois punhos. Na zona de trabalho não devem encontrar-se outras pessoas - e muito especialmente crianças - ou animais.

Não dirija a máquina contra pessoas próximas durante a operação. O bit pode desprender-se rapidamente e causar feridas graves.

Observe que pessoas não sejam colocadas em perigo pela projecção ou pela queda de materiais. Sempre trabalhe atenta e previdentemente.

Deposite o aparelho cuidadosamente. Não jogue o aparelho no chão e não o deixe cair. Se o aparelho for jogado, ele poderá ferir pessoas ou ser danificado.

UTILIZAÇÃO AUTORIZADA

O martelo presta-se a trabalhos de ponteira em pedra e betão.

Não use este produto de outra maneira sem ser a normal para o qual foi concebido.

LIGAÇÃO À REDE

Aparelhos não estacionários, utilizados ao ar livre, devem ser protegidos por um disjuntor de corrente de defeito (FI, RCD, PRCD).

Só conectar à corrente alternada monofásica e só à tensão de rede indicada na placa de potência. A conexão às tomadas de rede sem contacto de segurança também é possível, pois trata-se de uma construção da classe de protecção II.

Ao ligar o aspirador à rede, o interruptor deve encontrar-se na posição de desligado.

Este aparelho destina-se à utilização profissional e pode exceder um pouco os valores de orientação para ondas de corrente superiores na conexão à rede pública de baixa tensão. Por isso, eventualmente contacte a sua empresa de abastecimento de energia eléctrica competente antes de conectar o aparelho à rede pública de baixa tensão.

PROTECÇÃO DE REINÍCIO

O interruptor de tensão nula evita um reiniciar da máquina depois de uma falha de circuito. Na altura do novo início de trabalho desligar a máquina e ligá-la de novo.

TRANSPORTE, MANEJO, ARMAZENAMENTO

A máquina é pesada. Existe o risco de feridas quando a máquina cair.

A máquina não tem pontos de elevação ou fixação.

Pegue no manípulo suplementar para levantar a máquina e coloque-a em um meio de transporte adequado.

Proteja a máquina para que não possa capotar, cair ou derrapar durante a elevação, o transporte e o armazenamento.

Sempre deixe a máquina arrefecer antes de armazená-la.

Guarde a máquina em um lugar fechado, limpo, protegido contra geada e seco, fora do alcance de crianças.

TROCA DO BIT

Troca do bit, veja as figuras.

O bit tem de ser apropriado para o cone do martelo.

O fuste do bit não deve estar danificado.

O bit deve ser suficiente afiado para evitar golpes de salto.

O bit deve ser apropriado para a finalidade planeada.

Depois de inserir o bit, verifique que esteja bloqueado corretamente.

MANUTENÇÃO

Manter desobstruídos os rasgos de ventilação na carcaça da máquina.

Se as escovas de carvão estão gastas, adicionalmente a mudança das mesmas e ferramenta deve ser submetida a assistência. Isto irá assegurar longo tempo de vida útil bem como constante prontidão da máquina para o trabalho.

Se o cabo de alimentação eléctrica estiver danificado, este deverá ser substituído junto de um serviço de assistência ao cliente dado, que será necessário utilizar ferramentas especiais.

Utilizar apenas acessórios Milwaukee e peças sobresselentes Milwaukee. Os componentes cuja substituição não esteja descrita devem ser substituídos num serviço de assistência técnica Milwaukee (consultar a brochura relativa à garantia/moradas dos serviços de assistência técnica).

Se for necessário, um desenho de explosão do aparelho pode ser solicitado do seu posto de assistência ao cliente ou directamente da Techtronic Industries GmbH, Max-Eyth-Straße 10, 71364 Winnenden, Alemanha, indicando o tipo da máquina e o número de seis posições na chapa indicadora da potência.

SYMBOLE



ATENÇÃO! PERIGO!



Antes de efectuar qualquer intervenção na máquina retirar o bloco acumulador.



Leia atentamente o manual de instruções antes de colocar a máquina em funcionamento.



Use luvas de protecção!



Use protectores auriculares!



Usar sempre óculos de protecção ao trabalhar com a máquina.



Cuidado – Superfícies quentes!



O nível da potência de ruído garantido nos termos da placa de identificação é 99 dB.



Aparelhos eléctricos, baterias/acumuladores não devem ser jogados no lixo doméstico. Os aparelhos eléctricos e as baterias devem ser colectados separadamente e entregues a uma empresa de reciclagem para a eliminação correcta. Solicite informações sobre empresas de reciclagem e postos de colecta de lixo das autoridades locais ou do seu vendedor autorizado.



Marca de Conformidade Europeia



Regulatory Compliance Mark (RCM). O produto satisfaz os regulamentos vigentes.



Marca de Conformidade Ucraniana



Marca de Conformidade Eurasiática

DECLARAÇÃO DE CONFORMIDADE CE

Declaramos sob responsabilidade exclusiva, que o produto descrito sob "Dados técnicos" corresponde com todas as disposições relevantes da diretiva 2011/65/EU (RoHS), 2014/30/UE, 2006/42/CE e dos seguintes documentos normativos harmonizados.

EN 60745-1 :2009+A11:2010
EN 60745-2-6:2010
EN 55014-1:2017
EN 55014-2:2015
EN 61000-3-2:2014
EN 61000-3-3:2013
EN IEC 63000:2018

Nível de potência acústica medido 96 dB(A)

Nível de potência acústica garantido 99 dB(A)
Incerteza K= 3 dB(A)

Processo de avaliação da conformidade nos termos da 2000/14/CE apêndice VI.

Organismo notificado:
DEKRA Certification B.V. (0344)
Meander 1051/P.O.Box 5185
6825 MS ARNHEIM/6802 ED ARNHEIM
Netherlands

Winnenden, 2019-03-03

Alexander Krug
Managing Director



Autorizado a reunir a documentação técnica.

Techtronic Industries GmbH
Max-Eyth-Straße 10
71364 Winnenden
Germany

Productienummer	4555 01 01... ...000001-999999
Nominaal afgegeven vermogen.....	1750 W
Afgegeven vermogen	900 W
Aantal slagen belast max.	1400-1950 min ⁻¹
Slagkracht overeenkomstig EPTA-Procedure 05/2009	26 J
Werktuigopname	SDS-MAX
Gewicht volgens de EPTA-procedure 01/2014	13,0 kg

Informatie over geluid

Meetwaarden vastgesteld volgens EN 60 745.

Het kenmerkende A-gewogen geluidsniveau van de machine bedraagt:

Geluidsdrukkniveau (Onzekerheid K=3dB(A))	85 dB (A)
Geluidsvermogeniveau (Onzekerheid K=3dB(A))	96 dB (A)

Draag oorbeschermers!**Informatie over trillingen**

Totale trillingswaarden (vectorsom van drie richtingen) bepaald volgens EN 60745.

Hakken

Trillingsemisiewaarde a _h	6,7 m/s ²
Onzekerheid K=.....	2 m/s ²

WAARSCHUWING!

De in deze aanwijzingen vermelde trillingsdruk is gemeten volgens een in EN 60745 genormeerde meetmethode en kan worden gebruikt voor de onderlinge vergelijking van apparaten. Hij is ook geschikt voor een voorlopige inschatting van de trillingsbelasting.

De aangegeven trillingsdruk geldt voor de meest gebruikelijke toepassingen van het elektrische apparaat. Wanneer het elektrische gereedschap echter voor andere doeleinden, met andere dan de voorgeschreven hulpstukken gebruikt of niet naar behoren onderhouden wordt, kan de trillingsdruk afwijken. Dit kan de waarde van de trillingsdruk over de hele werkperiode aanzienlijk verhogen.

Voor een nauwkeurige inschatting van de trillingsdruk moeten ook de tijden in aanmerking worden genomen dat het apparaat uitgeschakeld is of weliswaar loopt, maar niet werkelijk in gebruik is. Dit kan de waarde van de trillingsdruk over de hele werkperiode aanzienlijk verminderen.

Bepaal extra veiligheidsmaatregelen ter bescherming van de bediener tegen de inwerking van trillingen, bijvoorbeeld: onderhoud van elektrische gereedschappen en apparaten, warmhouden van de handen, organisatie van de werkprocessen.

⚠ WAARSCHUWING! Lees alle veiligheidswaarschuwingen, voorschriften, afbeeldingen en specificaties voor dit elektrische gereedschap. Als de onderstaande waarschuwingen niet worden opgevolgd, kan dit een elektrische schok, brand of ernstig letsel tot gevolg hebben.

Bewaar alle waarschuwingen en voorschriften voor toekomstig gebruik.

⚠ GEVARENINSTRUCTIES VOOR BEITELHAMERS

Draag oorbeschermers. Blootstelling aan geluid kan het gehoor beschadigen.

Houd het apparaat alléén aan de geïsoleerde grijpvlakken vast, wanneer u werkzaamheden uitvoert waarbij het snijgereedschap verborgen stroomleidingen zou kunnen raken. Het contact van het snijgereedschap met een spanningvoerende leiding kan de metalen apparaatdelen onder spanning zetten en zo tot een elektrische schok leiden.

Gebruik de bij de machine geleverde zijhandgreep. Verlies aan controle kan tot persoonlijk letsel leiden.

VERDERE VEILIGHEIDS- EN WERKINSTRUCTIES

Draag veiligheidsuitrusting. Bij werkzaamheden met de machine dient u altijd een veiligheidsbril te dragen. Veiligheidskleding zoals stofmasker, veiligheidshandschoenen, stevig en slipvast schoeisel, helm en gehoorbescherming worden aanbevolen.

Het gedurende het werken vrijkomende stof is doorgaans schadelijk voor de gezondheid en mag niet met het lichaam in aanraking komen. Draag derhalve een geschikt stofbeschermsmasker.

Het is niet toegestaan, materialen te bewerken waarvan een gezondheidsgevaar uitgaat (bijv. asbest).

Schakel het apparaat onmiddellijk uit als het gereedschap blokkeert! Schakel het apparaat niet in zolang het gereedschap geblokkeerd is; dit zou een terugslag met een hoog reactiemoment kunnen veroorzaken. Achterhaal en verhelp de oorzaak voor de blokkering van het gereedschap met inachtneming van de veiligheidsinstructies.

Mogelijke oorzaken voor de blokkering:

- kantelen in het te bewerken werkstuk
- doorbreken van het te bewerken materiaal
- overbelasting van het elektrische gereedschap

Grijp niet in de lopende machine.

Het gereedschap kan heet worden tijdens het gebruik.

WAARSCHUWING! Gevaar voor verbranding

- bij het vervangen van het gereedschap
- bij het neerleggen van het apparaat

Snoer altijd buiten werkbereik van de machine houden.

Bij het werken in wanden, plafonds of vloeren oppassen voor elektriciteitsdraden, gas- of waterleidingen.

Voor alle werkzaamheden aan de machine de stekker uit de kontaktdoos trekken.

Tijdens het werken een veilige houding innemen en de machine altijd met twee handen vasthouden. In het werkgebied mogen zich geen andere personen - vooral kleine kinderen - of dieren bevinden.

Richt de machine tijdens het bedrijf niet op personen. Het gereedschap zou plotseling naar voren kunnen schieten en ernstig letsel kunnen veroorzaken.

Let op dat geen personen in gevaar worden gebracht door wegslingerend of vallend materiaal. Werk altijd zeer oplettend en vooruitziend.

Leg het apparaat voorzichtig neer. Gooi het apparaat niet op de grond en laat het niet vanuit grotere hoogten vallen. Door het gooien van het apparaat kunt u andere personen verwonden of apparaat zelf beschadigen.

VOORGESCHREVEN GEBRUIK VAN HET SYSTEEM

De hamer kan worden toegepast voor hakken in steen en beton.

Dit apparaat uitsluitend gebruiken voor normaal gebruik, zoals aangegeven.

NETAANSLUITING

Verplaatsbaar gereedschap moet bij het gebruik buiten aan een aardlekschakelaar (FI,RCD,PRCD) aangesloten worden.

Uitsluitend op éénfase-wisselstroom en uitsluitend op de op het typeplaatje aangegeven netspanning aansluiten. Aansluiting is ook mogelijk op een stekerdoos zonder aardcontact mogelijk, omdat het is ontworpen volgens veiligheidsklasse II.

Machine alleen uitgeschakeld aan de stekkerdoos aansluiten.

Dit is een apparaat voor professioneel gebruik, hetgeen de richtwaarden voor harmonischen bij de aansluiting op het openbare laagspanningsnet minimaal kan overschrijden. Neem daarom vóór de aansluiting van het apparaat op het openbare laagspanningsnet eventueel contact op met het voor u verantwoordelijke nutsbedrijf.

HERSTARTBEVEILIGING

Nulspanningsschakelaar voorkomt herstarten van de machine na stroomuitval. Bij hervatten van de werkzaamheden de machine eerst uitschakelen en vervolgens weer aanzetten.

TRANSPORT, HANTERING, OPSLAG

De machine is zwaar. Er bestaat gevaar voor letsel als de machine valt.

De machine heeft geen hijs- of slooppunten.

Til de machine op aan de extra handgreep en plaats ze op een geschikt transportmiddel.

Borg de machine bij het optillen, transporteren en opslaan tegen kantelen, vallen of wegglijden.

Laat de machine altijd eerst afkoelen voordat u ze opbergt.

Bewaar de machine op een afgesloten, schone, tegen vorst beschermde en droge plaats die voor kinderen ontoegankelijk is.

WISSELEN VAN GEREEDSCHAP

Vervang het gereedschap, zie pagina met afbeeldingen.

Het gereedschap moet in de gereedschapsopname passen.

De schacht van het gereedschap moet onbeschadigd zijn.

Het gereedschap moet voldoende scherp zijn om harde stoten te vermijden.

Het gereedschap moet geschikt zijn voor de geplande toepassing.

Controleer na het plaatsen van het gereedschap of dit correct vergrendeld is.

ONDERHOUD

Altijd de luchtspleten van de machine schoonhouden.

Belangrijke tip! Versleten koolborstels tijdig door een service-werkplaats laten vervangen. Dit verhoogt de levensduur van de machine en garandeert dat de machine altijd direct klaar is voor gebruik.

Wanneer de netkabel beschadigd is, moet deze door een klantenservice worden vervangen, omdat daarvoor speciaal gereedschap vereist is.

Gebruik uitsluitend Milwaukee toebehoren en onderdelen. Indien componenten die moeten worden vervangen niet zijn beschreven, neem dan contact op met een officieel Milwaukee servicecentrum (zie onze lijst met servicecentra).

Zo nodig kan een explosietekening van het apparaat worden aangevraagd bij uw klantenservice of direct bij Techtronic Industries GmbH, Max-Eyth-Straße 10, 71364 Winnenden, Duitsland onder vermelding van het machinetype en het zetscijferige nummer op het typeplaatje.

SYMBOLEN

OPGELET! WAARSCHUWING! GEVAAR!












Voor alle werkzaamheden aan de machine de akku verwijderen.



Graag instructies zorgvuldig doorlezen vóórdat u de machine in gebruik neemt.



Draag veiligheidshandschoenen!

	Draag oorbeschermers!
	Bij het werken met de machine altijd een veiligheidsbril dragen.
	Opgelet – hete oppervlakken!
	Het volgens het typeplaatje gegarandeerde geluidsrukniveau bedraagt 99 dB.
	Elektrische apparaten, batterijen en accu's mogen niet via het huisafval worden afgevoerd. Elektrische apparaten en accu's moeten gescheiden worden verzameld en voor een milieuvriendelijke afvoer worden afgegeven bij een recyclingbedrijf. Informeer bij uw gemeente of bij uw vakhandelaar naar recyclingbedrijven en inzamelpunten.
	Europees symbool van overeenstemming
	Regulatory Compliance Mark (RCM). Het product voldoet aan de van toepassing zijnde voorschriften.
	Oekraïens symbool van overeenstemming
	Euro-Aziatisch symbool van overeenstemming

EC - VERKLARING VAN OVEREENSTEMMING

Wij verklaren in uitsluitende verantwoording dat het onder 'Technische gegevens' beschreven product overeenstemt met alle relevante voorschriften van de richtlijn 2011/65/EU (RoHS), 2014/30/EU, 2006/42/EG en de volgende geharmoniseerde normatieve documenten:

EN 60745-1 :2009+A11:2010
 EN 60745-2-6:2010
 EN 55014-1:2017
 EN 55014-2:2015
 EN 61000-3-2:2014
 EN 61000-3-3:2013
 EN IEC 63000:2018

Gemeten geluidsrukniveau 96 dB(A)

Gegarandeerd geluidsrukniveau 99 dB(A)
 Onzekerheid K= 3 dB(A)

Conformiteitsbeoordelingsprocedure conform 2000/14/EG supplement VI.

Benoemd door:
 DEKRA Certification B.V. (0344)
 Meander 1051/P.O.Box 5185
 6825 MS ARNHEIM/6802 ED ARNHEIM
 Netherlands

Winnenden, 2019-03-03



Alexander Krug
 Managing Director



Gemachtigd voor samenstelling van de technische documenten

Technonic Industries GmbH
 Max-Eyth-Straße 10
 71364 Winnenden
 Germany

TEKNISCHE DATA

MEJSELHAMMER

K 1000 S (220-240 V)

Produktionsnummer 4555 01 01...
000001-999999
 Nominel optagen effekt..... 1750 W
 Afgiven effekt..... 900 W
 Slagantal belastet max. 1400-1950 min⁻¹
 Enkelt slagstyrke iht. EPTA-procedure 05/2009 26 J
 Værktøjsholder SDS-MAX
 Vægt svarer til EPTA-procedure 01/2014 13,0 kg

Støjinformation

Måleværdier beregnes iht. EN 60 745.

Værktøjets A-vurderede støjniveau er typisk:

Lydtrykniveau (Usikkerhed K=3dB(A)) 85 dB (A)
 Lydeffekt niveau (Usikkerhed K=3dB(A)) 96 dB (A)

Brug høreværn!

Vibrationsinformation

Samlede vibrationsværdier (værdisum for tre retninger) beregnet iht. EN 60745.

Mejsle

Vibrationseksposering a_h 6,7 m/s²
 Usikkerhed K= 2 m/s²

ADVARSEL!

Svingningsniveauet, som er angivet i disse anvisninger, er målt i henhold til standardiseret måleprocedure ifølge EN 60745 og kan anvendes til indbyrdes sammenligning mellem el-værktøjer. Svingningsniveauet er ligeledes egnet som foreløbigt skøn over svingningsbelastningen.

Det angivne svingningsniveau er baseret på el-værktøjets primære anvendelsesformål. Hvis el-værktøjet benyttes til andre formål, med andet indsatsværktøj eller ikke vedligeholdes tilstrækkeligt, kan svingningsniveauet afvige. Dette kan øge svingningsbelastningen over den samlede arbejdsperiode betydeligt.

For en nøjagtig vurdering af svingningsbelastningen skal der også tages højde for de tidsperioder, hvor apparatet er slukket, eller hvor apparatet kører, men uden at være i anvendelse. Dette kan reducere svingningsbelastningen over den samlede arbejdsperiode betydeligt.

Supplerende sikkerhedsforanstaltninger til beskyttelse af brugeren mod påvirkninger fra svingninger skal iværksættes, f.eks.: Vedligeholdelse af el-værktøj og indsatsværktøj, varmholdelse af hænder, organisering af arbejdsprocesser.

ADVARSEL Læs alle advarselsinformationer, anvisninger, figurer og specifikationer, som følger med dette el-værktøj. En manglende overholdelse af alle nedenstående anvisninger kan medføre elektrisk stød, brand og/eller alvorlige kvæstelser.

Opbevar alle advarselshenvisninger og instrukser til senere brug.

ADVARSEL! SIKKERHEDSHENVISNINGER FOR MEJSELHAMMER

Bær høreværn. Støjpåvirkning kan bevirke tab af hørelse.

Hold maskinen fast i de isolerede grebflader, når du udfører arbejde, hvor der er risiko for, at skæreværktøjet kan ramme skjulte strømledninger. Kommer skæreværktøjet i kontakt med en strømførende ledning, kan maskinens metaldele komme under spænding og give elektrisk stød.

Brug de ekstra håndtag, som følger med apparatet. Hvis kontrollen mistes, kan det medføre personskaade.

YDERLIGERE SIKKERHEDS- OG ARBEJDSINFORMATIONER

Brug beskyttelsesudstyr. Bær altid sikkerhedsbriller, når du arbejder med maskinen. Vi anbefaler desuden brug af personlig beskyttelsesudrustning, såsom støvmaske, sikkerhedshandsker, fast og skridsikkert skotøj, hjelm og høreværn.

Støv, som opstår under arbejdet, er ofte sundhedsfarligt og bør ikke trænge ind i kroppen. Benyt egnet åndedrætsværn.

Der må ikke bearbejdes nogen materialer, der kan udgøre en sundhedsrisiko (f.eks. asbest).

Sluk straks for maskinen, hvis indsatsværktøjet er blokeret! Tænd ikke for maskinen igen, så længe indsatsværktøjet er blokeret; dette kan føre til et tilbageslag med højt reaktionsmoment. Find frem til og afhjælp årsagen til indsatsværktøjets blokering under hensyntagen til sikkerhedsinstruktionerne.

Mulige årsager hertil kan være:

- at det sidder i klemme i emnet der bearbejdes
- at det har brækket materialet der bearbejdes
- at el-værktøjet er overbelastet

Grib ikke ind i maskinen, når den kører.

Indsatsværktøjet kan blive varmt under brugen.

ADVARSEL! Fare for forbrændinger

- ved værktøjsskift
- når man lægger maskinen fra sig

Tilslutningskablet holdes hele tiden væk fra maskinens arbejdsområde. Kablet ledes altid bort bag om maskinen.

Ved arbejdsboring i væg, loft eller gulv skal man passe på elektriske kabler, gas- og vandledninger.

Før ethvert arbejde ved maskinen skal stikket tages ud af stikdåsen.

Under arbejdet indtages en sikker placering, og maskinen holdes altid med begge hænder på de to greb. I arbejdsområdet må der ikke opholde sig andre personer - frem for alt ingen børn eller dyr.

Peg ikke maskinen i retning af omkringstående personer, når maskinen er i brug. Den monterede værktøjsbit kan flyve ud og forårsage alvorlig personskade.

Sørg for, at personer ikke udsættes for fare på grund af materialer, som slynges ud eller falder ned. Vær koncentreret og forudseende, når du arbejder med værktøjet.

Læg maskinen forsigtigt fra dig. Smid ikke maskinen på gulvet eller ned fra større højder. Hvis maskinen smides ned, kan den forårsage personskade på andre eller dig selv.

TILTÆNKT FORMÅL

Hammeren kan benyttes til mejsling i sten og beton.

Produktet må ikke anvendes på anden måde og til andre formål end foreskrevet.

NETTILSLUTNING

Stikdåser udenørs skal være forsynet med fejlstrømssikringskontakter (FI,RCD,PRCD). Det forlanger installationsforskriften for Deres elektroanlæg. Overhold dette, når De bruger vores maskiner.

Tilslutning må kun foretages til enfaset vekselstrøm og kun til en netspænding, som er i overensstemmelse med angivelsen på mærkepladen. Tilslutning kan også ske til stikdåser uden beskyttelseskontakt, da kapslingsklasse II foreligger.

Tilslut kun maskine til stikdåsen i slukket tilstand.

Dette er en enhed til professionel brug, der kan overskride standardværdierne for strøm ved tilslutning til den offentlig netspænding ubetydeligt. Kontakt derfor elektricitetværket, inden enheden tilsluttes til det offentlige lavspændingsnet.

GENSTARTSBESKYTTELSE

En nulspejndingsafbryder forhindrer, at maskinen genstarter efter strømudfald. Ved genoptagelsen af arbejdet skal maskinen slukkes og tændes igen.

TRANSPORT, HÅNTERING, OPBEVARING

Maskinen er tung. Der er risiko for alvorlig personskade, hvis maskinen falder ned.

Maskinen har ingen løftegreb eller punkter til fastsurring.

Løft maskinen op i ekstrahåndtaget og læg det på et egnet transportmiddel.

Sørg for at sikre maskinen i forbindelse med løft og transport og opbevar maskinen, så der ikke er risiko for, at den vælter, falder ned eller skrider ud.

Sørg altid for, at maskinen er kølet af, inden den lægges væk til opbevaring.

Opbevar maskinen på et afspærret, rent, frostsikkert og tørt sted utilgængeligt for børn.

VÆRKTØJSSKIFT

Skift af værktøjstilbehør, se illustration.

Værktøjstilbehøret skal være beregnet til maskinens værktøjsholder.

Skaftet på værktøjstilbehøret må ikke være beskadiget.

Værktøjstilbehøret skal være tilstrækkelig skarpt for at undgå tilbageslagseffekt.

Værktøjstilbehøret skal være egnet til den planlagte arbejdsopgave.

Efter montering af værktøjstilbehøret, skal du forsikre dig om, at det er ordentligt låst i værktøjsholderen.

VEDLIGEHOLDELSE

Hold altid maskinens ventilationsåbninger rene.

I forbindelse med udskiftning af nedslidte kul anbefales det, at maskinen indsendes til et autoriseret serviceværksted for almindelig service-check. Det giver optimal sikkerhed for altid funktionsdygtig maskine og lang levetid.

Hvis nettilslutningsledningen bliver beskadiget, skal den udskiftes hos kompetent kundeservice, idet dette kræver specielt værktøj.

Brug kun Milwaukee-tilbehør og Milwaukee-reserve dele. Komponenter, hvor udskiftningsproceduren ikke er beskrevet, skal skiftes ud hos et Milwaukee-servicecenter (se brochure garanti/kundeserviceadresser).

Hvis det er nødvendigt, kan der bestilles en sprængskitse af værktøjet. Angiv herved venligst maskintypen samt det sekscifrede nummer på mærkepladen og bestil tegningen hos din lokale kundeserviceafdeling eller direkte hos Techtronic Industries GmbH, Max-Eyth-Straße 10, 71364 Winnenden, Tyskland.

SYMBOLER



VIGTIGT! ADVARSEL! FARE!



Ved arbejde inden i maskinen, bør batteriet tages ud.



Læs brugsanvisningen nøje før ibrugtagning.



Brug beskyttelseshandsker!



Brug høreværn!



Når der arbejdes med maskinen, skal man have beskyttelsesbriller på.



Advarsel - Varme overflader!



Det garanterede lydeffektniveau i henhold til typeskiltet er 99 dB.



Elektrisk udstyr eller (genopladelige) batterier må ikke bortskaffes sammen med det almindelige husholdningsaffald. Elektrisk udstyr og genopladelige batterier skal indsamles særskilt og afleveres hos en genbrugsvirksomhed til en miljømæssig forsvarlig bortskaffelse. Spørg de lokale myndigheder eller din forhandler om genbrugsstationer og indsamlingssteder til sådant affald.



Europæisk konformitetsmærke



Regulatory Compliance Mark (RCM). Produktet opfylder de gældende bestemmelser.



Ukrainsk konformitetsmærke



Eurasisk konformitetsmærke

CE-KONFORMITETSERKLÆRING

Vi erklærer som eneansvarlig, at det under "Tekniske data" beskrevne produkt stemmer overens med alle relevante forskrifter, der følger af direktiv 2011/65/EU (RoHS), 2014/30/EU, 2006/42/EF samt af følgende harmoniserede normative dokumenter:

EN 60745-1 :2009+A11:2010
EN 60745-2-6:2010
EN 55014-1:2017
EN 55014-2:2015
EN 61000-3-2:2014
EN 61000-3-3:2013
EN IEC 63000:2018

Målt lydeffektniveau 96 dB(A)

Garanteret lydeffektniveau 99 dB(A)
Usikkerhed K= 3 dB(A)

Evalueringen af overensstemmelse iht. 2000/14/EF tillæg VI.

Sted:
DEKRA Certification B.V. (0344)
Meander 1051/P.O.Box 5185
6825 MS ARNHEIM/6802 ED ARNHEIM
Netherlands

Winnenden, 2019-03-03

Alexander Krug
Managing Director



Autoriseret til at udarbejde de tekniske dokumenter.

Techtronic Industries GmbH
Max-Eyth-Straße 10
71364 Winnenden
Germany

TEKNISKE DATA MEISELHAMMER K 1000 S (220-240 V)

Produksjonsnummer.....	4555 01 01...
	...000001-999999
Nominell inngangseffekt.....	1750 W
Avgitt effekt.....	900 W
Lastslag tall maks.....	1400-1950 min ⁻¹
Enkeltslagstyrke tilsvarende EPTA-Procedure 05/2009.....	26 J
Verktøyholder.....	SDS-MAX
Vekt i henhold til EPTA-Prosedyren 01/2014.....	13,0 kg

Støyinformasjon

Måleverdier fastslått i samsvar med EN 60 745.

Det typiske A-bedømte støynivået for maskinen er:

Lydtryknivå (Usikkerhet K=3dB(A))..... 85 dB (A)

Lydeffektnivå (Usikkerhet K=3dB(A))..... 96 dB (A)

Bruk hørselsvern!**Vibrasjonsinformasjon**

Totale svingningsverdier (vektorsum fra tre retninger)

beregnet jf. EN 60745.

Meisling

Svingningsemisjonsverdi a_h 6,7 m/s²

Usikkerhet K=..... 2 m/s²

ADVARSEL!

Svingningsnivået som er angitt i denne instruksjonen er målt i overensstemmelse med målemetoden normert i direktiv EN 60745 og kan brukes til å sammenligne elektromaskiner med hverandre. Den egner seg også for en foreløbig vurdering av svingningsbelastningen.

Det angitte svingningsnivået representerer de hovedsaklige bruk av elektroverktøyet. Men anvendes elektroverktøyet for andre bruk med avvikende utskiftbare verktøy eller vedlikeholdet er utilstrekkelig, kan svingningsnivået være avvikende.

Dette kan forhøye svingningsbelastning betydelig over hele arbeidsperioden. For en nøyaktig vurdering av svingningsbelastningen må også det tas hensyn til tiden apparatet er avslått eller står på, men ikke er i bruk. Dette kan redusere svingningsbelastningen betydelig over hele arbeidsperioden.

Innfør også ekstra sikkerhetstiltak for å beskytte bruker mot utvirkingen av svingningene. Disse kan f.eks. være: vedlikehold av elektroverktøyet og det utskiftbare verktøyet, holde hendene varme, organisasjon av arbeidsforløpet.

⚠ ADVARSEL! Les gjennom alle sikkerhets advarsler, anvisninger, illustrasjoner og spesifikasjoner for dette elektroverktøyet. Feil ved overholdelsen av advarslene og nedenstående anvisninger kan medføre elektriske støt, brann og/eller alvorlige skader.

Ta godt vare på alle advarslene og informasjonene.

⚠ SIKKERHETSINSTRUKSER FOR MEISELHAMMER

Bruk hørselsvern. Støy kan føre til tap av hørselen

Hold apparatet i de isolerte holdeflatene, når det arbeides på steder hvor elektroverktøyet kan treffe skjulte strømlødnings. Kontakt med en ledning som er under spenning, kan også sette metalldele til apparatet under spenning og føre til et elektrisk slag.

Bruk de med apparatet medleverte tileggshandtak. Tap av kontrollen kan føre til skader.

YTTERLIGE SIKKERHETS- OG ARBEIDSSINSTRUKSJONER

Bruk vernebekledning. Ta alltid på vernebrille ved bruk av maskinen. Vernebekledning så vel som støvmaske, vernehansker, fast og sklisikkert skotøy, hjem og hørselsvern er anbefalt.

Støvet som oppstår ved arbeidet er ofte helsefarlig og skal ikke komme i kontakt med kroppen. Bruk derfor vernemaske som er egnet for støv.

Materialer som er helsefarlig skal ikke bearbeides (f.eks. asbest)

Slå av apparatet med en gang dersom det isatte verktøyet er blokkert! Ikke slå apparatet på igjen så lenge det isatte verktøyet er blokkert; her kan det oppstå et tilbakeslag med høyt reaksjonsmoment. Finn ut hvorfor det isatte verktøyet blokkerer og fjern årsaken til dette. Ta herved hensyn til sikkerhets instruksene.

Mulige årsaker til dette kan være:

- det har forkantet seg i arbeidsemnet som bearbeides
- det har brekt igjennom materialet som bearbeides
- elektroverktøyet er overbelastet

Ikke grip inn i maskinen når den står på og går.

Isatt verktøy kan i bruk bli veldig varmt.

ADVARSEL! Fare for forbrenning

- ved skifting av verktøy
- når apparatet legges ned

Hold ledningen alltid vekk fra maskinens virkeområde. Før ledningen alltid bakover fra maskinen.

Pass på kabler, gass- og vannledninger når du arbeider i vegger, tak eller gulv.

Trekk støpslet ut av stikkkontakten før du begynner arbeidet på maskinen.

Stå støtt når du arbeider og hold alltid apparatet med begge hender i de to håndtakene. Det må ikke oppholde seg andre personer - fremfor alt ingen barn - eller dyr i arbeidsområdet.

Rett aldri maskinen mot personer som befinner seg i nærheten under driften. Verktøyet som er satt inn kan skyte ut og forårsake alvorlige personskader.

Pass på at ingen personer settes i fare på grunn av materialer som slynges ut eller faller ned. Vær alltid svært årvåken og forutseende når du arbeider.

Vær forsiktig når du legger ned apparatet. Kast aldri apparatet ned på bakken eller ned fra større høyder. Hvis det kastes ned, kan apparatet skade andre personer, eller det kan selv bli skadet.

FORMÅLSMESSIG BRUK

Hammeren kan brukes for meisling i steinarter og betong.

Dette apparatet må kun brukes til de oppgitte formål.

NETTILKOPLING

Stikkontakter utendørs må være utstyrt med feilstrøm-sikkerhetsbryter (FI,RCD,PRCD). Dette forlanges av installasjonsforskriften for elektroanlegg. Vennligst følg dette når du bruker vårt apparat.

Skal bare tilsluttes enfasevekselstrøm og bare til den på skiltet angitte nettspenning. Tilslutning til stikkontakter uten jordet kontakt er mulig fordi beskyttelse beskyttelsesklasse II er forhanden.

Påse at maskinen er slått av når du setter inn nettstøpset i stikkkontakten.

Dette er et apparat for profesjonell bruk som kan overskride retningslinjene for overharmoniske spenninger ubetydelig ved tilkobling til det offentlige lavspenningsnettet. Kontakter derfor det vedkommende elektrisitetsverket i slike tilfelle før tilkobling til det offentlige lavspenningsnettet.

AUTOMATISK GJENSTARTSBESKYTTELSE

En nullspenningsbryter forhindrer at maskinen starter på nytt igjen etter et strømbrudd. Før neste gangs bruk av maskinen må den først slåes av og så slåes på igjen.

TRANSPORT, HÅNTERING, LAGRING

Maskinen er tung. Det består fare for personskade dersom maskinen faller ned.

Maskinen har ingen løfte- eller fastsurringspunkter.

Løft opp maskinen ved ekstrahåndtaket og legg den på et egnet transportmiddel.

Sikre maskinen mot at den kan velte, falle ned eller gli bort når den løftes, transporteres og lagres.

La alltid maskinen først få kjøle seg ned, før den settes til lagring.

Lagre maskinen på et avlåst, rent, frostbeskyttet og tørt sted som er utilgjengelig for barn.

SKIFTE AV VERKTØY

Skifte av innsatsverktøyet, se billedelen.

Innsatsverktøyet må være egnet for verktøyopptaket.

Skiftet på innsatsverktøyet må være uten skade.

Innsatsverktøyet må være skarpt nok til å unngå støtslag.

Innsatsverktøyet må være egnet for den tiltenkte bruken.

Etter at innsatsverktøyet er satt inn, må det kontrolleres om det er forsvarlig fastlåst.

VEDLIKEHOLD

Hold alltid luftenåpningene på maskinen rene.

Når kullbørstene er slitte bør det i tillegg til at disse skiftes ut gjennomføres en servide i et serviceverksted. Dette forlenger maskinens levetid og garanterer en stadig driftsberedskap.

Er det skade på nettkabelen, må den skiftes av kundeservice, fordi det behøves spesialverktøy.

Bruk kun Milwaukee tilbehør og Milwaukee reservedeler. Komponenter der utskiftning ikke er beskrevet skal skiftes ut hos Milwaukee kundeservice (se brosjyre garanti/ kundeserviceadresser).

Ved behov kan det fås en eksplosjonstegning av apparatet hos kundeservice eller direkte hos Techtronic Industries GmbH, Max-Eyth-Straße 10, 71364 Winnenden, Germany ved angivelse av maskinens type og det sekstallige nummeret på maskinens skilt.

SYMBOLER

	OBS! ADVARSEL! FARE!
	Ta ut vekselbatteriet før du arbeider på maskinen
	Les nøye gjennom bruksanvisningen før maskinen tas i bruk.
	Bruk vernehansker !
	Bruk hørselsvern!
	Bruk alltid vernebrille når du arbeider med maskinen.
	Forsiktig – varme overflater!
	Det garanterte lydeffektnivået som vises på modell skiltet er på 99 dB.



Elektriske apparater, batterier/oppladbare batterier skal ikke kastes sammen med vanlig husholdningsavfall.
Elektriske og elektroniske apparater og oppladbare batterier skal samles separat og leveres til miljøvennlig deponering hos en avfallsbedrift.
Informér deg hos myndighetene på stedet eller hos din fagforhandler hvor det finnes recycling bedrifter og oppsamlingssteder.



Europeisk samsvarsmerke



Regulatory Compliance Mark (RCM). Produktet oppfyller gjeldende forskrifter.



Ukrainsk samsvarsmerke



Euroasiatisk samsvarsmerke

CE-SAMSVARSERKLÆRING

Vi erklærer i alene ansvar at produktet beskrevet i "Teknisk data" overensstemmer med alle relevante forskrifter til Eu direktiv 2011/65/EU (RoHS), 2014/30/EU, 2006/42/EF og de følgende harmoniserte normative dokumentene.

EN 60745-1 :2009+A11:2010
EN 60745-2-6:2010
EN 55014-1:2017
EN 55014-2:2015
EN 61000-3-2:2014
EN 61000-3-3:2013
EN IEC 63000:2018

Målt lydeffektnivå 96 dB(A)

Garantert lydeffektnivå 99 dB(A)
Usikkerhet K=3 dB(A)

Konformitetsprosedyrer i henhold til direktiv 2000/14/EG vedlegg VI.

Nevnt kontor:
DEKRA Certification B.V. (0344)
Meander 1051/P.O.Box 5185
6825 MS ARNHEIM/6802 ED ARNHEIM
Netherlands

Winnenden, 2019-03-03

Alexander Krug
Managing Director



Autorisert til å utarbeide den tekniske dokumentasjonen

Techtronic Industries GmbH
Max-Eyth-Straße 10
71364 Winnenden
Germany

TEKNISKA DATA

MEJSELHAMMARE

K 1000 S (220-240 V)

Produktionsnummer 4555 01 01...
.....000001-999999
Nominell upptagen effekt 1750 W
Uteffekt 900 W
Belastet slagtal max. 1400-1950 min⁻¹
Enkelslagstyrka enligt EPTA Procedure 05/2009 26 J
Verktøginfästning SDS-MAX
Vikt enligt EPTA 01/2014 13,0 kg

Bullerinformation

Måtvärdena har tagits fram baserande på EN 60 745.

A-värdet av maskinens ljudnivå utgør:

Ljudtrycksnivå (Onoggrannhet K=3dB(A))..... 85 dB (A)

Ljudeffektsnivå (Onoggrannhet K=3dB(A))..... 96 dB (A)

Använd hörselskydd!

Vibrationsdata

Totala vibrationsvärden (vektorsumma ur tre riktningar) framtaget enligt EN 60745.

Mejsla

Vibrationsemissionsvärde a..... 6,7 m/s²

Onoggrannhet K= 2 m/s²

VARNING!

Den i de här anvisningarna angivna vibrationsnivån har uppmått enligt ett i EN 60745 normerat mätfförfarande och kan användas vid jämförelse mellan olika elverktøy. Nivån är även lämplig att använda vid en preliminär bedömning av vibrationsbelastningen.

Den angivna vibrationsnivån representerar den huvudsakliga användningen av det aktuella elverktøyet. Men om elverktøyet ska användas i andra användningsområden, tillsammans med avvikande insatsverktøy eller efter otillräckligt underhåll, kan vibrationsnivån skilja sig. Det kan øka vibrationsbelastningen betydeligt under hela arbeidstiden.

För att få en exaktare bedömning av vibrationsbelastningen ska även den tid beaktas, under vilken elverktøyet är avstängt eller är påslaget, utan att det verkligen används. Det kan reducera vibrationsbelastningen betydeligt under hela arbeidstiden.

Lägg som skydd för användaren fast extra säkerhetsåtgärder mot vibrationernas verkan, som till exempel: underhåll av elverktøy och insatsverktøy, varmhållning av händer och organisering av arbetsförlopp.

VARNING! Läs noga igenom alla säkerhetsanvisningar, illustrationer och specifikationer som medfølger detta elverktøy. Fel som oppstår till följd av att anvisningarna nedan inte följs kan orsaka elstöt, brand och/eller allvarliga kroppsskador.

Förvara alla varningar och anvisningar för framtida bruk.

SAKERHETSANVISNINGAR FÖR MEJSELHAMMARE

Bär hörselskydd. Bullerbelastning kan orsaka hörselskador.

Håll fast apparaten med hjälp av de isolerade greppytorna när du utför arbeten där arbetsverktøyet skulle kunna träffa på dolda elledningar. Om man kommer i kontakt med en spänningsförande ledning, så kan även de delar på verktøyet som är av metall bli spänningsförande och leda till att man får en elektrisk stöt.

Använd de extrahandtag som levereras tillsammans med maskinen. Förlust av kontrollen kan leda till personskador.

ÖVRIGA SÄKERHETS- OCH ANVÄNDNINGSSINSTRUKTIONER

Använd skyddsutrustning. Använd alltid skyddsglasögon när du använder maskinen. Som skyddsutrustning rekommenderer vi t ex en dammskyddsmask,

skyddshandskar, stabila och halksäkra skor, hjälm och hörselskydd.

Det damm som bildas under arbetets gång är ofta hälsofarligt och det ska inte komma in i kroppen. Bär därför lämplig skyddsmask.

Det är inte tillåtet att bearbeta material som kan vara hälsovådligt (t.ex. asbest).

Stäng av maskinen omedelbart om ett verktøy som används sitter fast! Sätt sedan inte på maskinen igen så länge som verktøyet som används fortfarande sitter fast; risk för okontrollerade slag med høgt reaktionsmoment. Ta reda på orsaken varför verktøyet fastnade och åtgärda orsaken med hänsyn till säkerhetsanvisningarna.

Möjliga orsaker kan vara:

- Verktøyet sitter snett i arbeidsstycket
- Verktøyet går igjennom materialet som bearbetas
- Elverktøyet är överbelastat

Gå aldrig med händerna in i en maskin som är igång.

Verktøyet som används kan bli mycket varmt under användningen.

VARNING! Risk för brännskador

- vid verktøysbyte
- när man lägger ifrån sig maskinen

Nätkabeln skall alltid hållas ifrån arbetsområdet. Lagg kabeln bakåt i förhållande till arbetsriktningen.

Vid arbetenborring i vägg, tak eller golv, var alltid observant på befintliga el-, gas- eller vattenledningar.

Drag alltid ur kontakten när du utför arbeten på maskinen.

Håll alltid redskapet med båda händerna och stå på stadigt underlag. Se upp med barn och djur inom arbetsområdet!

Rikta under drift inte maskinen mot personer som står i närheten. Det isatta verktyget kan kastas ut och orsaka allvarliga personskador.

Se till att inga personer kan utsättas för fara på grund av material som kastas ut eller faller ner. Arbeta alltid mycket uppmärksam och förutseende.

Lägg ner apparaten försiktigt. Kasta inte apparaten på golvet eller och släpp den inte från högre höjd. Om den kastas eller släpps kan apparaten skada andra personer eller skadas själv.

ANVÄND MASKINEN ENLIGT ANVISNINGARNA

Hammaren kan användas till mejsling i sten och betong.

Maskinen får endast användas för angiven tillämpning.

NÄTANSLUTNING

Anslut alltid verktyget till via en felströmbrytare (FI, RCD, PRCD) vid användning utomhus.

Får endast anslutas till 1-fas växelström och till den spänning som anges på dataskylten. Anslutning kan även ske till eluttag utan skyddskontakt, eftersom konstruktionen motsvarar skyddsklass II.

Maskinen skall vara fränslagen när kontakten anslutes till vägguttaget.

Detta verktyg är avsett för professionell användning och kan i viss mån överskrida riktvärdena för strömöversvängningar vid anslutning till det allmänna lågspänningsnätet. Därför rekommenderas att kontakta det lokala elbolaget innan verktyget ansluts till det allmänna lågspänningsnätet.

ÅTERSTARTSSKYDD

Nollspänningsutlösaren förhindrar att maskinen sätter igång omedelbart efter ett strömavbrott. När arbetet återupptas ska maskinen kopplas från och kopplas till igen.

TRANSPORT, HANTERING, LAGRING

Maskinen är tung. Det föreligger risk för allvarliga personskador om maskinen faller ner.

Maskinen saknar lyft- och surrningspunkter.

Lyft maskinen vid det extra handtaget och lägg den på ett lämpligt transportmedel.

Säkra vid lyft, transport och lagring maskinen så att den inte kan tippa, falla ner eller halka iväg.

Låt maskinen svalna innan den placeras för lagring.

Lagra maskinen på en avspärrad, ren, frostskyddad och torr plats oåtkomligt för barn.

VERKTYGSBYTTE

Byta det isatta verktyget, se bild del.

Det isatta verktyget måste passa till verktygsfästet.

Det isatta verktygets skaft måste vara oskadat.

Det isatta verktyget måste vara tillräckligt vass för att undvika tomslag.

Det isatta verktyget måste vara lämpligt för den avsedda användningen.

Kontrollera efter att det isatta verktyget har satts in att det är ordentligt fastlåst.

SKÖTSEL

Se till att motorhöljets luftslitsar är rena.

Viktigt! I samband med kolbyten är en översyn på serviceverkstad att rekommendera. Detta för att höja maskinens livslängd och garantera ytterligare driftssäkerhet.

Om nätkabeln är skadad, måste den bytas ut på en godkänd serviceverkstad, då det krävs specialverktyg för detta.

Använd endast Milwaukee-tillbehör och Milwaukee-reservdelar. Komponenter, för vilka inget byte beskrivs, skall bytas ut hos Milwaukee-kundtjänst (se broschyren garanti-/kundtjänstadresser).

Vid behov kan du rekvirera apparatens sprängkiss antingen hos kundservicen eller direkt hos Techtronic Industries GmbH, Max-Eyth-Straße 10, 71364 Winnenden, Germany. Du ska då ange maskintypen och numret på sex siffror som står på effektskylten.

SYMBOLER

	OBSERVERA! VARNING! FARA!
	Drag ur batteripaket innan arbete utföres på maskinen.
	Läs instruktionen noga innan du startar maskinen.
	Bär skyddshandskar!
	Använd hörselskydd!
	Använd alltid skyddsglasögon.
	Försiktighet - heta ytor!!
	Den enligt typskylten garanterade ljudtrycksnivån är 99 dB.



Elektriska maskiner, batterier/uppladdningsbara batterier och får inte slängas tillsammans med de vanliga hushållssoporna. Elektriska maskiner och uppladdningsbara batterier ska samlas separat och lämnas till en avfallsstation för miljövänlig avfallshantering. Kontakta den lokala myndigheten respektive kommunen eller fråga återförsäljare var det finns speciella avfallsstationer för elskrot.



Europeiskt konformitetsmärke



Regulatory Compliance Mark (RCM). Produkten uppfyller kraven i de gällande föreskrifterna.



Ukrainskt konformitetsmärke



Euroasiatiskt konformitetsmärke

CE-FÖRSÄKRAN

Vi intygar och ansvarar för att den produkt som beskrivs under "Tekniska data" överensstämmer med alla relevanta bestämmelser i direktiv 2011/65/EU (RoHS), 2014/30/EU, 2006/42/EG och följande harmoniserade normerande dokument:

EN 60745-1 :2009+A11:2010
EN 60745-2-6:2010
EN 55014-1:2017
EN 55014-2:2015
EN 61000-3-2:2014
EN 61000-3-3:2013
EN IEC 63000:2018

Uppmått ljudtrycksnivå 96 dB(A)

Garanterad ljudtrycksnivå 99 dB(A)
Onoggrannhet K= 3 dB(A)

Förfarande avseende överensstämmelse enligt 2000/14/EG Bilaga VI.

Anmält organ:
DEKRA Certification B.V. (0344)
Meander 1051/P.O.Box 5185
6825 MS ARNHEIM/6802 ED ARNHEIM
Netherlands

Winnenden, 2019-03-03



Alexander Krug
Managing Director



Befullmäktigad att sammanställa teknisk dokumentation.

Techtronic Industries GmbH
Max-Eyth-Straße 10
71364 Winnenden
Germany

TEKNISET TIEDOT	TALTTAVASARA	K 1000 S (220-240 V)
Tuotantnumero	4555 01 01...	...000001-999999
Nimellinen teho.....	1750 W	
Antoteho	900 W	
Kuormitettu iskutaajuus maks.....	1400-1950 min ⁻¹	
Kiinnitysisikun voimakkuus vastaa EPTA-Procedure 05/2009	26 J	
Talttapidin	SDS-MAX	
Paino EPTA-menettelyn 01/2014 mukaan	13,0 kg	

Melunpäästö tiedot
Mitta-arvot määritetty EN 60 745 mukaan.
Koneen tyypillinen A-luokitettu melutaso:

Melutaso (K = 3 dB(A)).....	85 dB (A)
Äänenvoimakkuus (K = 3 dB(A)).....	96 dB (A)

Käytä kuulosuojaimia!

Tärinätieto

Värähtelyn yhteisarvot (kolmen suunnan vektorisumma) mitattuna EN 60745 mukaan.
talttaus

Värähtelyemissioarvo a _v	6,7 m/s ²
Epävarmuus K=.....	2 m/s ²

VAROITUS!

Näissä ohjeissa mainittu värähtelytaso on mitattu EN 60745 -standardin mukaisella mittausmenetelmällä ja sitä voidaan käyttää sähkötyökalujen vertaamiseen. Sitä voidaan käyttää myös värähtelyrasituksen väliaikaiseen arviointiin.

Mainittu värähtelytaso edustaa sähkötyökalun pääasiallista käyttöä. Jos sähkötyökalua kuitenkin käytetään muihin tehtäviin, poikkeavin työkaluun tai riittämättömästi huoltaen, värähtelytaso voi olla erilainen. Se voi korottaa värähtelyrasitusta koko työajan osalta.

Tarkan värähtelyrasituksen toteamiseen tulee ottaa huomioon aika, jona laite on kytketty pois tai on kylläkin päällä, mutta ei käytössä. Se voi pienentää värähtelyrasitusta koko työajan osalta.

Määrittele lisäturvatoimenpiteitä käyttäjän suojaamiseksi värinöiden vaikutukselta, kuten esimerkiksi: sähkötyökalujen ja käyttötyökalujen huolto, käsien lämpiminä pitäminen, työvaiheiden organisaatio.

VAROITUS Lue kaikki turvallisuusmääräykset, ohjeet, kuvitukset ja erittelyt, jotka toimitetaan tämän sähkötyökalun mukana. Jäljempänä annettujen ohjeiden noudattamisen laiminlyönti saattaa johtaa sähköiskuun, tulipaloon ja/tai vakavaan loukkaantumiseen.

Säilytä kaikki turvallisuus- ja muut ohjeet tulevaisuutta varten.

TALTTAVASAROIDEN TURVALLISUUSMÄÄRÄYKSET

Käytä korvasuojia. Altistuminen melulle voi vahingoittaa kuuloa.

Pitele laitetta vain eristetyistä tarttumapinnoista, kun suoritat sellaisia töitä, joissa leikkaustyökalu saattaa osua piilossa oleviin sähköjohtoihin. Leikkaustyökalun yhteys jännitteelliseen johtoon saattaa tehdä laitteen metalliset osat jännitteellisiksi ja aiheuttaa sähköiskun.

Käytä koneen mukana toimitettua apukahvaa. Koneen hallinnan menetys saattaa aiheuttaa henkivahinkoja.

TÄYDENTÄVIÄ TURVALLISUUSMÄÄRÄYKSIÄ JA TYÖSKENTELYOHJEITA

Käytä suojavarusteita. Käytä aina suojalaseja käyttäessäsi konetta. Suosittelemme suojavarusteiden käyttöä, näihin kuuluvat pölysuojanaamari, työkasineet, tukevat, luistamattomat jalkineet, kypärä ja kuulosuojukset.

Koneen käytöstä aiheutuva pöly ja jäte voi olla haitallista terveydelle eikä sen vuoksi tulisi päästä kosketukseen ihon kanssa. Koneella työskennellessä on käytettävä sopivia suojainta.

Terveydellisiä vaaroja aiheuttavien materiaalien (esim. asbestin) työstäminen on kielletty.

Jos käytetty työkalu juuttuu kiinni, sammuta laite heti! Älä kytke laitetta uudelleen päälle työkalun ollessa vielä kiinni juuttuneena, koska tästä saattaa aiheutua voimakas takaisku. Selvitä työkalun juuttumisen syy ja poista syy turvallisuusmääräyksiä noudattaen.

Mahdollisia syitä voivat olla:

- työkalun vinoutuminen työstökappaleessa
- työstetyn materiaalin puhkaiseminen
- sähkötyökalun ylikuormitus

Älä tartu käynnissä olevan koneen työosiin.

Käytetty työkalu saattaa kuumeta käytön aikana.

VAROITUS! Palovamman vaara

- työkalua vaihdettaessa
- laitetta pois laskettaessa

Pidä sähköjohto poissa koneen käyttöalueelta. Siirrä se aina taakseen.

Varo seinään, kattoon tai lattiaan porattaessa osumasta sähköjohtoon, kaasu- ja vesijohtoihin.

Irrota aina pistotulppa seinäkoskettimesta ennen koneeseen tehtäviä toimenpiteitä.

Ota tukeva työskentelyasento ja kannata laitetta aina molemmin käsin molemmista kädensijoista. Muut henkilöt - etenkin lapset - eivät saa oleskella työskentelyalueella. Pidä myöskin eläimet loitolla.

Älä kohdista konetta käytön aikana lähellä oleviin ihmisiin. Vaihtotyökalu saattaisi singota ulos ja aiheuttaa vakavia vammoja.

Huolehdi siitä, etteivät poissinkoutuvat tai putoavat materiaalit vaaranna muita ihmisiä. Työskentele aina tarkkaavaisesti ja ennakoivasti.

Laske laite varoen kädestäsi. Älä heitä laitetta lattialle tai pudota sitä korkealta. Alasheitettäessä laite saattaa vahingoittaa muita ihmisiä tai vaurioitua.

TARKOITUKSEN MUKAINEN KÄYTTÖ

Vasara soveltuu yleiseen kiventalttauksen, ja betonin.

Älä käytä tuotetta ohjeiden vastaisesti.

VERKKOLIITÄNTÄ

Ulkokäytössä olevat pistorasiat on varustettava vikavirta-suojakytkimillä (FI, RCD PRCD) sähkölaitteistosi asennusmääräyksen mukaisesti. Muista tarkistaa, että laite liitetään ulkokäytössä ulkopistorasiaan ja neuvottele asiasta sähköasentajasi kanssa.

Yhdistä ainoastaan yksivaiheiseen vaihtovirtaan, jonka verkkojännite on sama kuin tyyppikilvessä ilmoitettu. Myös liittäminen maadoittamattomiin pistorasioihin on mahdollista, sillä rakenne vastaa turvallisuusluokkaa II.

Laitteen käynnistyskytkin on oltava 0- asennossa, kun tulppa työnnetään pistorasiaan.

Tämä laite on tarkoitettu ammattikäyttöön, ja se saattaa ylittää virran korkeimpien yliaaltojen viitearvot vähäisessä määrin, kun se liitetään julkiseen pienjänniteverkkoon. Ota tämän vuoksi tarvittaessa yhteyttä paikalliseen energianjakeluyritykseen ennen laitteen liittämistä julkiseen pienjänniteverkkoon.

UUDELLEENKÄYNNISTYSSUOJA

Nollakytin estää koneen tahattoman käynnistymisen sähkökatkoksen jälkeen. Aloittaaksesi työskentelyn uudelleen, tulee virta katkaista koneesta ja kytkä se tämän jälkeen uudelleen takaisin päälle.

KULJETUS, KÄSITTELY, VARASTOINTI

Kone on painava. Koneen putoamisesta aiheutuva vakava tapaturmanvaara.

Koneessa ei ole nosto- tai kiinnityskohtia.

Nosta kone tukihavasta ja aseta se sopivalle kuljetusvälineelle.

Varmista, ettei kone kaadu, putoa tai luiskahda paikaltaan sitä nostettaessa, kuljetettaessa ja säilytettäessä.

Anna koneen aina jäähtyä ennen kuin panet sen varastoon.

Säilytä konetta suljetussa, puhtaassa, pakkaselta suojatussa ja kuivassa paikassa poissa lasten ulottuvilta.

TYÖKALUN VAIHTO

Vaihtotyökalun vaihto, katso kuvaosio.

Vaihtotyökalun täytyy sopia työkaluistukkaan.

Vaihtotyökalun varren täytyy olla vahingoittumaton.

Vaihtotyökalun tulee olla riittävän terävä, jotta vältetään kimmoiskut.

Vaihtotyökalun täytyy olla sopiva suunniteltuun käyttöön.

Tarkasta työkalun liittämisen jälkeen, että se on lukittunut oikein paikalleen.

HUOLTO

Pidä moottorin ilmanottoaukot puhtaina.

Hiiltenvaihdon lisäksi jotkut muutkin huoltotoimenpiteet saattavat olla tarpeen. Koneen pitkän kestoian ja luotettavan toimintavalmiuden turvaamiseksi, suosittelemme näissä tapauksissa kääntymistä valtuutetun huoltokorjaamon puoleen.

Jos verkkoliitäntäjohto on vioittunut, niin huoltopalvelun täytyy vaihtaa se uuteen, koska vain heillä on tähän tarvittavat erikoistyökalut.

Käytä ainoastaan Milwaukee lisätarvikkeita ja Milwaukee varaosia. Mikäli jokin komponentti, jota ei ole kuvailtu, tarvitsee vaihtoa ota yhteys johonkin Milwaukee palvelupisteistä (kts. listamme takuuhuoltoilikeiden/ palvelupisteiden osoitteista)

Tarvittaessa voit pyytää laitteen räjähdyspiirustuksen ilmoittaen konetyypin ja tyyppikilvessä olevan kuusinumeroisen luvun huoltopalvelustasi tai suoraan osoitteella Techtronic Industries GmbH, Max-Eyth-Strasse 10, 71364 Winnenden, Saksa.

SYMBOLIT

	HUOMIO! VAROITUS! VAARA!
	Ota akku pois ennen kaikkia koneeseen tehtäviä toimenpiteitä.
	Lue käyttöohjeet huolellisesti, ennen koneen käynnistämistä.
	Käytä suojakäsineitä!
	Käytä kuulosuojaimia!
	Käytä laitteella työskennellessäsi aina suojalaseja.
	Varo - kuumia pintoja!



Tyypikkilven mukainen taattu äänen tehotaso on 99 dB.



Säihkölaitteita, paristoja/akkuja ei saa hävittää yhdessä kotitalousjätteiden kanssa. Säihkölaitteet ja akut tulee kerätä erikseen ja toimittaa kierrätysliikkeeseen ympäristöystävällistä hävittämistä varten. Pyydä paikallisilta viranomaisilta tai alan kauppiailta tarkemmat tiedot kierrätyspisteistä ja keräyspaikoista.



Euroopan säännönmukaisuusmerkki



Regulatory Compliance Mark (RCM). Tuote on pätevien ohjesääntöjen mukainen.



Ukrainan säännönmukaisuusmerkki



Euraasian säännönmukaisuusmerkki

TODISTUS CE-STANDARDINMUKAISUUDESTA

Vakuutamme yksinvastuullisesti, että kohdassa "Tekniset tiedot" kuvattu tuote vastaa kaikkia sitä koskevia direktiivien 2011/65/EU (RoHS), 2014/30/EU, 2006/42/EY määräyksiä sekä seuraavia harmonisoituja standardisoivia asiakirjoja:

EN 60745-1 :2009+A11:2010
EN 60745-2-6:2010
EN 55014-1:2017
EN 55014-2:2015
EN 61000-3-2:2014
EN 61000-3-3:2013
EN IEC 63000:2018

Mitattu äänenvoiman taso 96 dB(A)

Taattu äänenvoiman taso 99 dB(A)
Epävarmuus K= 3 dB(A)

Standardinmukaisuuden arviointimenettely direktiivin 2000/14/EY liitteen VI mukaan.

Vastaava organisaatio:
DEKRA Certification B.V. (0344)
Meander 1051/P.O.Box 5185
6825 MS ARNHEIM/6802 ED ARNHEIM
Netherlands

Winnenden, 2019-03-03

Alexander Krug
Managing Director



Valtuutettu kokoamaan tekniset dokumentit.

Techtronic Industries GmbH
Max-Eyth-Straße 10
71364 Winnenden
Germany

TEKNIKA ΣΤΟΙΧΕΙΑ ΕΡΓΑΛΕΙΟΜΗΧΑΝΗ ΣΜΙΛΕΥΣΗΣ K 1000 S (220-240 V)

Αριθμός παραγωγής..... 4555 01 01...
.....000001-999999
Ονομαστική ισχύς..... 1750 W
Αποδιδόμενη ισχύς..... 900 W
Μέγιστος αριθμός κρούσεων σε φορτίο..... 1400-1950 min⁻¹
Ισχύς μεμονωμένης κρούσης κατά ΕΡΤΑ-Procedure 05/2009 26 J
Υποδοχή κατασβόδαμας (μπιτ)..... SDS-MAX
Βάρος σύμφωνα με τη διαδικασία ΕΡΤΑ 01/2014 13,0 kg

Πληροφορίες θορύβου

Τιμές μέτρησης εξακριβωμένες κατά EN 60 745.

Η σύφωνα με την καμπύλη A εκτιμηθείσα στάθμη θορύβου του μηχανήματος αναφέρεται σε:

Στάθμη ηχητικής πίεσης (Ανασφάλεια K=3dB(A)) 85 dB (A)
Στάθμη ηχητικής ισχύος (Ανασφάλεια K=3dB(A))..... 96 dB (A)

Φοράτε προστασία ακοής (ωτασπίδες)!

Πληροφορίες δονήσεων

Ολικές τιμές κραδασμών (άθροισμα διανυσμάτων τριών διευθύνσεων) εξακριβώθηκαν σύμφωνα με τα πρότυπα του EN 60745.

Σμίλευση

Τιμή εκπομπής δονήσεων a_w 6,7 m/s²
Ανασφάλεια K= 2 m/s²

ΠΡΟΕΙΔΟΠΟΙΗΣΗ!

Το αναφερόμενο σ' αυτές τις οδηγίες επίπεδο δονήσεων έχει μετρηθεί με μια τυποποιημένη σύμφωνα με το EN 60745 μέθοδο μέτρησης και μπορεί να χρησιμοποιηθεί για τη σύγκριση των ηλεκτρικών εργαλείων μεταξύ τους. Αυτό είναι επίσης κατάλληλο για μια προσωρινή εκτίμηση της επιβάρυνση των δονήσεων.

Το αναφερόμενο επίπεδο δονήσεων αντιπροσωπεύει τις κύριες χρήσεις του ηλεκτρικού εργαλείου. Εάν όμως το ηλεκτρικό χρησιμοποιείται σε άλλες χρήσεις, με διαφορετικά εργαλεία εφαρμογής ή ανεπαρκή συντήρηση, μπορεί να υπάρξει απόκλιση του επιπέδου δονήσεων. Αυτό μπορεί να αυξήσει σημαντικά την επιβάρυνση των δονήσεων για τη συνολική διάρκεια της εργασίας

Για μια ακριβή εκτίμηση της επιβάρυνσης των δονήσεων οφείλουν επίσης να λαμβάνονται υπόψη οι χρόνοι, στους οποίους η συσκευή είναι απενεργοποιημένη ή είναι μεν ενεργοποιημένη αλλά δεν χρησιμοποιείται πραγματικά. Αυτό μπορεί να μειώσει σημαντικά την επιβάρυνση των δονήσεων για τη συνολική διάρκεια της εργασίας.

Καθορίζετε πρόσθετα μέτρα ασφαλείας για την προστασία του χειριστή από την επίδραση των δονήσεων όπως για παράδειγμα: Συντήρηση του ηλεκτρικού εργαλείου και των εργαλείων εφαρμογής, διατηρείτε ζεστά τα χέρια, οργάνωση των διαδικασιών εργασίας.

⚠ ΠΡΟΕΙΔΟΠΟΙΗΣΗ! Διαβάστε όλες τις προειδοποιητικές υποδείξεις, οδηγίες, περιγραφές και προδιαγραφές γι' αυτό το ηλεκτρικό εργαλείο. Αμέλειες κατά την τήρηση των προειδοποιητικών υποδείξεων μπορεί να προκαλέσουν ηλεκτροπληξία, κίνδυνο πυρκαγιάς ή/και σοβαρούς τραυματισμούς.

Φυλάξτε όλες τις προειδοποιητικές υποδείξεις και οδηγίες για κάθε μελλοντική χρήση.

⚠ ΥΠΟΔΕΙΞΕΙΣ ΑΣΦΑΛΕΙΑΣ ΓΙΑ ΕΡΓΑΛΕΙΟΜΗΧΑΝΗΣ ΣΜΙΛΕΥΣΗΣ

Φοράτε ωτασπίδες. Η επίδραση θορύβου μπορεί να προκαλέσει απώλεια ακοής.

Να πιάνετε τη συσκευή στις μονωμένες χειρολαβές όταν εκτελείτε εργασίες κατά τις οποίες τα κοπτικά εργαλεία θα μπορούσαν να πέσουν επάνω σε κρυμμένα καλώδια ρεύματος. Η επαφή των κοπτικών εργαλείων με αγωγό τροφοδοσίας τάσης μπορεί να θέσει τα μεταλλικά τμήματα της συσκευής υπ'όταση και να προκαλέσει ηλεκτροπληξία.

Χρησιμοποιείτε με τη συσκευή τις προμηθευόμενες πρόσθετες χειρολαβές. Η απώλεια ελέγχου μπορεί να οδηγήσει σε τραυματισμό.

ΠΕΡΑΙΤΕΡΩ ΟΔΗΓΙΕΣ ΑΣΦΑΛΕΙΑΣ ΚΑΙ ΧΡΗΣΕΩΣ

Χρησιμοποιείτε προστατευτικό εξοπλισμό. Κατά την εργασία με τη μηχανή φοράτε πάντα προστατευτικά γυαλιά. Συνιστούμε επίσης προστατευτική ενδυμασία όπως επίσης μάσκα προστασίας αναπνοής, προστατευτικά γάντια, σταθερά και ασφαλή στην ολίσθηση υποδήματα, κράνος και ωτασπίδες.

Η σκόνη που δημιουργείται κατά την εργασία είναι συχνά επιβλαβής για την υγεία και δεν επιτρέπεται να έλθει στο σώμα. Να φοράτε κατάλληλη μάσκα προστασίας από σκόνη.

Μην επεξεργάζεστε επικίνδυνα για την υγεία υλικά (π.χ. αμιάντος).

Σε περίπτωση μπλοκαρίσματος της αριδίας απενεργοποιήστε αμέσως τη συσκευή! Μην ενεργοποιείτε εκ νέου τη συσκευή όσο η αριδα είναι μπλοκαρισμένη. Σ' αυτή τη περίπτωση θα μπορούσε να προκύψει υψηλή ροπή αντίδρασης. Βρείτε την αιτία του μπλοκαρίσματος της αριδίας και ξεμπλοκαρέτε την λαμβάνοντας υπόψη τις οδηγίες ασφαλείας.

Πιθανές αιτίες:

- Η αριδα μάγκωσε με το προς κατεργασία κομμάτι.
- Σπάσιμο του προς κατεργασία υλικού.

• Υπερφόρτωση του ηλεκτρικού εργαλείου.

Μην απλώνετε τα χέρια σας στην επικίνδυνη περιοχή της μηχανής όταν είναι σε λειτουργία.

Η θερμοκρασία της αρίδας μπορεί να φτάσει σε υψηλά επίπεδα κατά τη λειτουργία.

ΠΡΟΕΙΔΟΠΟΙΗΣΗ! Κίνδυνος εγκαύματος

- κατά την αλλαγή εργαλείου (αρίδας)
- κατά την απόθεση της συσκευής

Κρατάτε το καλώδιο σύνδεσης πάντοτε μακριά από την περιοχή δράσης της μηχανής. Περνάτε το καλώδιο πάντοτε πίσω από τη μηχανή.

Κατά τις εργασίες σε τοίχο, οροφή ή δάπεδο προσέχετε για τυχόν ηλεκτρικά καλώδια και για σωλήνες αερίου και νερού.

Πριν από κάθε εργασία στη μηχανή τραβάτε το φως από την πρίζα.

Κατά την εργασία να στηρίζετε σίγουρα και να κρατάτε τη συσκευή πάντοτε με τα δύο χέρια από τις δύο λαβές. Στην περιοχή εργασίας δεν επιτρέπεται να παραμένουν άλλα άτομα - κυρίως κανένα μικρό παιδί - ή ζώα.

Κατά τη διάρκεια της λειτουργίας μην στρέψετε το μηχάνημα προς την κατεύθυνση παρευρισκομένων ατόμων. Το ένθετο εργαλείο μπορεί να εκσφενδονιστεί και να προκαλέσει σοβαρούς τραυματισμούς.

Να δίνετε ιδιαίτερη προσοχή, ώστε να μην τίθενται άτομα σε κίνδυνο από εκσφενδονιζόμενα ή πτίποντα υλικά. Να εργάζεστε πάντα πολύ προσεκτικά και προνοητικά.

Να αποθέτετε το εργαλείο προσεκτικά. Μη ρίχνετε το εργαλείο στο έδαφος ή από μεγάλο ύψος προς τα κάτω. Κατά την πτώση, το εργαλείο μπορεί να τραυματίσει άλλα άτομα ή να υποστεί το ίδιο ζημιά.

ΧΡΗΣΗ ΣΥΜΦΩΝΑ ΜΕ ΤΟ ΣΚΟΠΟ ΠΡΟΟΡΙΣΜΟΥ

Το κρουστικό μπορεί να χρησιμοποιηθεί για καλέμισμα σε πετρώματα και μπετόν.

Αυτή η συσκευή επιτρέπεται να χρησιμοποιηθεί μόνο σύμφωνα με τον αναφερόμενο σκοπό προορισμού.

ΣΥΝΔΕΣΗ ΣΤΟ ΗΛΕΚΤΡΙΚΟ ΔΙΚΤΥΟ

Οι πρίζες στους εξωτερικούς χώρους πρέπει να είναι εξωπλισμένες με μικροαυτόματους διακόπτες προστασίας (FI, RCD, PRCD). Αυτό απαιτεί ο σχετικός κανονισμός από την ηλεκτρική σας εγκατάσταση. Προσέξτε παρακαλώ αυτό το σημείο κατά τη χρήση της συσκευής μας.

Συνδέετε μόνο σε μονοφασικό εναλλασσόμενο ρεύμα και μόνο σε τάση δικτύου όπως αναφέρεται στην πινακίδα τεχνικών χαρακτηριστικών. Η σύνδεση είναι επίσης εφικτή σε πρίζες χωρίς προστασία επαφής, διότι έχει προβλεφθεί εξοπλισμός κατηγορίας προστασίας II.

Συνδέστε τη συσκευή στην πρίζα μόνο όταν είναι απενεργοποιημένη.

Αυτό είναι ένα εργαλείο για επαγγελματική χρήση, το οποίο μπορεί να υπερβεί ελαφρώς τις ενδεικτικές τιμές για αρμονικές ρεύματος κατά τη σύνδεση στο δημόσιο δίκτυο χαμηλής τάσης. Για το λόγο αυτό πριν από τη σύνδεση του εργαλείου στο δημόσιο δίκτυο χαμηλής τάσης έρχεστε σε επαφή κατά περίπτωση με την αρμόδια δημόσια επιχείρηση ηλεκτρισμού.

ΠΡΟΣΤΑΣΙΑ ΕΠΑΝΕΚΚΙΝΗΣΗΣ

Ο διακόπτης μηδενικής τάσης εμποδίζει την επανενεργοποίηση της μηχανής μετά από διακοπή ρεύματος. Όταν ξαναρχίσετε την εργασία, σβήστε και ξαναανάψτε την μηχανή.

ΜΕΤΑΦΟΡΑ, ΜΕΤΑΧΕΙΡΙΣΗ ΚΑΙ ΑΠΟΘΗΚΕΥΣΗ

Το μηχάνημα είναι βαρύ. Υπάρχει κίνδυνος σοβαρών τραυματισμών, όταν πέσει το μηχάνημα κάτω.

Το μηχάνημα δεν έχει σημεία ανάρτησης και πρόσδεσης.

Ανυψώστε το μηχάνημα από την πρόσθετη χειρολαβή και αποθέστε το σε ένα κατάλληλο μεταφορικό μέσο.

Να ασφαρίζετε το μηχάνημα κατά την ανύψωση, μεταφορά και αποθήκευση έναντι ανατροπής, πτώσης και ολίσθησης.

Πριν την αποθήκευση να αφήνετε πρώτα να κρουνει το μηχάνημα.

Να αποθηκεύετε το μηχάνημα σε έναν αποκλεισμένο, καθαρό, προστατευόμενο από παγετό και ξηρό χώρο μακριά από παιδιά.

ΑΛΛΑΓΗ ΕΡΓΑΛΕΙΟΥ

Αλλαγή του ένθετου εργαλείου, βλέπε στο τμήμα εικόνας.

Το ένθετο εργαλείο πρέπει να είναι κατάλληλο για την υποδοχή εργαλείου.

Το στέλεχος του ένθετου εργαλείου πρέπει να είναι ανέπαφο.

Το ένθετο εργαλείο πρέπει να είναι επαρκώς αιχμηρό, για να αποτρέπονται αναπηδήσεις.

Το ένθετο εργαλείο πρέπει να είναι κατάλληλο για τον προβλεπόμενο σκοπό χρήσης.

Μετά την τοποθέτηση του ένθετου εργαλείου ελέγξτε αν έχει ασφαλιστεί κανονικά.

ΣΥΝΤΗΡΗΣΗ

Διατηρείτε πάντοτε τις σχισμές εξαιρισμού της μηχανής καθαρές.

Σε περίπτωση που οι ψήκτρες (καρβουνάκια) είναι φθαρμένες πρέπει εκτός της αλλαγής τους να εκτελεστεί και ένα σέρβις σε ένα συμβεβλημένο συνεργείο. Αυτό μεγαλώνει τη διάρκεια ζωής της μηχανής και εγγυάται μια συνεχή ετοιμότητα λειτουργίας.

Όταν έχει υποστεί ζημιά το καλώδιο ηλεκτρικής σύνδεσης, πρέπει αυτό να αντικατασταθεί σε μια υπηρεσία τεχνικής υποστήριξης πελατών, διότι απαιτείται ειδικό εργαλείο.

Χρησιμοποιείτε μόνο αξεσουάρ Milwaukee και ανταλλακτικά Milwaukee. Εξαρτήματα, που η αλλαγή τους δεν περιγράφεται, αντικαθίστανται σε μια τεχνική υποστήριξη της Milwaukee (βλέπε φυλλάδιο εγγύηση/ διευθύνσεις τεχνικής υποστήριξης).

Σε περίπτωση που το χρειαστείτε μπορείτε να παραγγείλετε λεπτομερές σχέδιο της συσκευής αναφέροντας τον τύπο και τον εξαψήφιο αριθμό που βρίσκεται στην πινακίδα τεχνικών χαρακτηριστικών από την εξυπηρέτηση πελατών ή απευθείας από την Techtronic Industries GmbH, διευθυνση Max-Eyth-Straße 10, 71364 Winnenden, Germany.

ΣΥΜΒΟΛΑ



ΠΡΟΣΟΧΗ! ΠΡΟΕΙΔΟΠΟΙΗΣΗ! ΚΙΝΔΥΝΟΣ!



Πριν από κάθε εργασία στη μηχανή αφαιρείτε την ανταλλακτική μπαταρία.



Παρακαλώ διαβάστε σχολαστικά τις οδηγίες χρήσης πριν από την έναρξη λειτουργίας.



Να φοράτε προστατευτικά γάντια!



Φοράτε προστασία ακοής (ωασιπίδες)!



Στις εργασίες με τη μηχανή φοράτε πάντοτε προστατευτικά γυαλιά.



Προσοχή – Καυτή επιφάνεια!



Η στάθμη ηχητικής ισχύος που αναφέρεται στην πινακίδα τύπου, ανέρχεται σε 99 dB.



Ηλεκτρικά μηχανήματα, μπαταρίες/συσσωρευτές δεν επιτρέπεται να απορρίπτονται μαζί με τα οικιακά απορρίμματα. Ηλεκτρικά μηχανήματα και συσσωρευτές συλλέγονται ξεχωριστά και παραδίδονται προς ανακύκλωση με τρόπο φιλικό προς το περιβάλλον σε επιχείρηση επεξεργασίας απορριμμάτων. Ενημερωθείτε από τις τοπικές υπηρεσίες ή από ειδικευμένους εμπόρους σχετικά με κέντρα ανακύκλωσης και συλλογής απορριμμάτων.



Ευρωπαϊκό σήμα πιστότητας



Regulatory Compliance Mark (RCM). Το προϊόν τηρεί τις ισχύουσες προδιαγραφές.



Ουκρανικό σήμα πιστότητας



Ευρασιατικό σήμα πιστότητας

ΔΗΛΩΣΗ ΠΙΣΤΟΤΗΤΑΣ ΕΚ

Δηλώνουμε υπεύθυνα ότι το προϊόν που περιγράφεται στο κεφάλαιο «Τεχνικά χαρακτηριστικά» είναι συμβατό με τις διατάξεις της Κοινοτικής Οδηγίας 2011/65/EU (RoHS), 2014/30/EU, 2006/42/EK και με τα ακόλουθα εναρμονισμένα κανονιστικά έγγραφα:

EN 60745-1 :2009+A11:2010
EN 60745-2-6:2010
EN 55014-1:2017
EN 55014-2:2015
EN 61000-3-2:2014
EN 61000-3-3:2013
EN IEC 63000:2018

Μετρημένη στάθμη ηχητικής ισχύος 96 dB(A)

Εγγυημένη στάθμη ηχητικής ισχύος 99 dB(A)
Ανασφάλεια K= 3 dB(A)

Διαδικασία αξιολόγησης της πιστότητας σύμφωνα με 2000/14/EG παράρτημα VI.

Ονομαζόμενη υπηρεσία:
DEKRA Certification B.V. (0344)
Meander 1051/P.O.Box 5185
6825 MS ARNHEIM/6802 ED ARNHEIM
Netherlands

Winnenden, 2019-03-03

Alexander Krug
Managing Director



Εξουσιοδοτημένος να συντάξει τον τεχνικό φάκελο.

Techtronic Industries GmbH
Max-Eyth-Straße 10
71364 Winnenden
Germany

TEKNİK VERİLER **DARBELİ KESKİ** **K 1000 S (220-240 V)**

Üretim numarası.....	4555 01 01... ...000001-999999
Giriş gücü	1750 W
Çıkış gücü.....	900 W
Yükteki maksimum darbe sayısı.....	1400-1950 min ⁻¹
EPTA-Procedure 05/2009'a göre tek darbe kuvveti	26 J
Tornavida ucu kovani.....	SDS-MAX
Ağırlığı ise EPTA-üretici 01/2014'e göre.....	13,0 kg

Gürültü bilgileri

Ölçüm değerleri EN 60 745 e göre belirlenmektedir.

Aletin, frekansa bağımlı uluslararası ses basıncı seviyesi

değerlendirme eğrisi A'ya göre tipik gürültü seviyesi:

Ses basıncı seviyesi (Tolerans K=3dB(A)) 85 dB (A)

Akustik kapasite seviyesi (Tolerans K=3dB(A)) 96 dB (A)

Koruyucu kulaklık kullanın!**Vibrasyon bilgileri**

Toplam titreşim değeri (üç yönün vektör toplamı) EN 60745'e göre belirlenmektedir:

Keskilme

Titreşim emisyon değeri a_p 6,7 m/s²

Tolerans K=..... 2 m/s²

UYARI!

Bu talimatlarda belirtilen titreşim seviyesi, EN 60745 standardına uygun bir ölçme metodu ile ölçülmüştür ve elektrikli el aletleri birbirleriyle karşılaştırmak için kullanılabilir. Ölçüm sonuçları ayrıca titreşim yükünün geçici değerlendirmesi için de uygundur.

Belirtilen titreşim seviyesi, elektrikli el aletinin genel uygulamaları için geçerlidir. Ancak elektrikli el aleti başka uygulamalar için, farklı eklenti parçalarıyla ya da yetersiz bakım koşullarında kullanılırsa, titreşim seviyesi farklılık gösterebilir. Bu durumda, titreşim yükü toplam çalışma zaman aralığı içerisinde belirgin ölçüde yükselebilir.

Titreşim yükünün tam bir değerlendirmesi için ayrıca cihazın kapalı olduğu süreler ve cihazın çalışır durumda olduğu, ancak gerçek kullanımda bulunmadığı süreler de dikkate alınmalıdır. Böylelikle, toplam çalışma zamanı aralığı boyunca meydana gelen titreşim yükü belirgin ölçüde azaltılabilir.

Kullanıcıyı titreşimlerin etkisinden korumak üzere, örneğin elektrikli el aletlerinin ve eklenti parçalarının bakımı, ellerin sıcak tutulması ve iş akışlarının organizasyonu gibi ek güvenlik tedbirleri belirleyiniz.

⚠ UYARI! Bu elektrikli el aletiyle ilgili bütün uyarıları, talimat hükümlerini, gösterimleri ve spesifikasyonları okuyun. Aşağıda açıklanan talimat hükümlerine uyulmadığı takdirde elektrik çarpmalarına, yangınlara ve/veya ağır yaralanmalara neden olunabilir.

Bütün uyarıları ve talimat hükümlerini ileride kullanmak üzere saklayın.

⚠ DARBELİ KESKİLER İÇİN GÜVENLİK UYARILARI

Koruyucu kulaklık kullanın. Çalışırken çıkan gürültü işitme kayıplarına neden olabilir.

Kesme aletinin eğrilmiş elektrik kabloları isabet eden çalışmalar yapılırken cihazı izole edilmiş kollarından tutun. Kesme aletinin içinden elektrik akımı geçen kablo ile temas etmesi durumunda elektrik akımı cihazın metal kısımlarına geçer ve elektrik çarpmasına sebebiyet verebilir.

Aletle birlikte teslim edilen ek tutamakları kullanın. Aletin kontrolden çıkması kazalara neden olabilir.

EK GÜVENLİK VE ÇALIŞMA TALIMATLARI

Koruma teçhizatı kullanın. Makinada çalışırken devamlı surette koruyucu gözlük takın. Koruyucu elbise ve tozlardan korunma maskesi, emniyet eldivenleri ve sağlam ve kaymaya mukavim ayakkabı giyin. Başlık ve kulaklık tavsiye edilir.

Çalışma sırasında ortaya çıkan toz genellikle sağlığa zararlıdır ve bedeninize temas etmemelidir. Uygun bir koruyucu toz maskesi kullanın

Sağlık tehlikelerine neden olan malzemelerin işlenmesi yasaktır (örn. asbest).

Uca yerleştirilen takımın bloke olması halinde lütfen cihazı hemen kapatın! Uca yerleştirilen takım bloke olduğu sürece cihazı tekrar çalıştırmayın; bu sırada yüksek reaksiyon momentine sahip bir geri tepme meydana gelebilir. Uca yerleştirilen takımın neden bloke olduğuna bakın ve bu durumu güvenlik uyarılarına dikkat ederek gidin.

Olası nedenler şunlar olabilir:

- İşlenen parça içinde takılma
- İşlenen malzemenin delinmesi
- Elektrikli alete aşırı yük binmesi

Ellerinizi çalışmakta olan makinenin içine uzatmayın.

Uca yerleştirilen takım kullanım sırasında ısınabilir.

UYARI! Yanma tehlikesi

- takım değiştirme sırasında
- aletin yere bırakılması sırasında

Bağlantı kablosunu aletten uzak tutun. Kablo daima aletin arkasında olmalıdır ve toplanmamalıdır.

Duvar, tavan ve zeminde delik açarken elektrik kablolarına, gaz ve su borularına dikkat edin.

Aletin kendinde bir çalışma yapmadan önce fişi prizden çekin.

Çalışırken duruş pozisyonunuzun güvenli olmasına dikkat edin ve aleti daima iki sapından iki elle tutun.

İşletim sırasında makineyi etraftaki kişilere doğru tutmayın. Ucu dışarı fırlatabilir ve ağır yaralanmalara neden olabilir.

Etrafa savrulan veya düşen malzemelerden dolayı kişilerin tehlikeye düşmemesine dikkat edin. Her zaman son derece dikkatli ve sağgörülü çalışın.

Aleti dikkatlice yere bırakın. Cihazı yere atmayın veya yüksek yerlerden aşağı bırakmayın. Yere atarken alet başka kişilerin yaralanmasına neden olabilir veya kendisi hasar görebilir.

KULLANIM

Bu kırıcı, şantiyedeki zor keskilme ve kırma işlerinde kullanılabilir.

Bu alet sadece belirttiği gibi ve usulüne uygun olarak kullanılabilir.

ŞEBEKE BAĞLANTISI

Açık havadaki prizler hatalı akım koruma şalteri (FI, RCD, PRCD) ile donatılmış olmalıdır. Bu, elektrik tesisatınızdaki bir zorunluluktur. Lütfen aletimizi kullanırken bu hususa dikkat edin.

Aleti sadece tek fazlı alternatif akıma ve tip etiketi üzerinde belirtilen şebeke gerilimine bağlayın. yapısı Koruma sınıfı II'ye girdiğinden alet koruyucu kontaklı prize de bağlanabilir.

Aleti sadece kapalı iken prize takın.

Bu cihaz profesyonellerce kullanılan bir cihaz olup, kamuya ait alçak voltaj şebekesine bağlantı yapılırken elektrik üst dalgalanmalara ait yönlendirme değerlerini az bir şekilde aşabilir. Bu nedenle cihazı kamuya ait alçak voltaj şebekesine bağlamadan önce yetkili enerji tedarik şirketi ile irtibat kurun.

TEKRAR ÇALIŞTIRMADA KORUMA

Sıfır gerilim şalteri elektrik kesintilerinden sonra aletin tekrar ve istenmeden çalışmasını önler. Yeniden çalışmaya başlamadan önce aleti kapatın ve tekrar çalıştırın

TAŞIMA, KULLANIM, DEPOLAMA

Makine ağırdır. Makine düştüğünde ciddi yaralanma tehlikesi bulunmaktadır.

Makinenin kaldırma veya kayış bağlama noktaları bulunmamaktadır.

Makineyi ek kulptan kaldırın ve uygun bir taşıma aracı üzerine yerleştirin.

Makineyi kaldırma, taşıma ve depolama sırasında devrilmeye, düşmeye ve kaymaya karşı emniyete alın.

Muhafaza etmeden önce her zaman makinenin soğumasını bekleyin.

Makineyi, çocukların erişemeyeceği kilitli, temiz, dona karşı korunmuş ve kuru bir yerde muhafaza edin.

TAKIM DEĞİŞİMİ

Uçların değiştirilmesi, bkz. resimli bölüm.

Uç, takım bağlama yeri için uygun olmalıdır.

Ucun şaftı hasarsız bir durumda olmalıdır.

Uç, geri tepmeleri önlemek için yeteri kadar keskin olmalıdır.

Uç, planlanan kullanım amacına uygun olmalıdır.

Ucun takılmasından sonra usulüne uygun kenetlenmiş olmasını kontrol edin.

BAKIM

Aletin havalandırma aralıklarının daima temiz tutun.

Önemli açıklama! Yıpranan kömür fırçalar bir müşteri servisinde değiştirilmelidir. Bu sayede aletin kullanım ömrü uzar ve alet daima çalışmaya hazır olur.

Şebeke hatları hasarlı ise müşteri hizmetleri servisi tarafından değiştirilmesi gerekir, zira bunun için özel bir aparat gereklidir.

Sadece Milwaukee aksesuarı ve yedek parçası kullanın. Nasıl değiştirileceği açıklanmamış olan yapı parçalarını bir Milwaukee müşteri servisinde değiştirin (Garanti ve servis adresi broşürüne dikkat edin).

Gerektiğinde cihazın ayrıntılı çizimini, güç levhası üzerindeki makine modelini ve altı haneli rakamı belirterek müşteri servisinden veya doğrudan Techtronic Industries GmbH, Max-Eyth-Straße 10, 71364 Winnenden, Germany adresinden isteyebilirsiniz.

SEMBOLLER

	DİKKAT! UYARI! TEHLİKE!
	Aletin kendinde bir çalışma yapmadan önce kartuş aküyü çıkarın.
	Lütfen aleti çalıştırmadan önce kullanma kılavuzunu dikkatli biçimde okuyun.
	Koruyucu eldivenlerinizi takınız!
	Koruyucu kulaklık kullanın!
	Aletle çalışırken daima koruyucu gözlük kullanın.
	Dikkat - Sıcak yüzeyler!
	Model levhasına göre garanti edilen ses gücü seviyesi 99 dB'dir.



Elektrikli cihazların, pillerin/akülerin evsel atıklarla birlikte bertaraf edilmesi yasaktır. Elektrikli cihazlar ve aküler ayrılarak biriktirilmeli ve çevreye zarar vermeden bertaraf edilmeleri için bir atık değerlendirme tesisine götürülmelidirler. Yerel makamlara veya satıcınıza geri dönüşüm tesisleri ve atık toplama merkezlerinin yerlerini danışınız.



Avrupa uyumluluk işareti



Regulatory Compliance Mark (RCM). Ürün yürürlükteki kuralları karşılamaktadır.



Ukrayna uyumluluk işareti



Avrasya uyumluluk işareti

CE UYGUNLUK BEYANI

Tek sorumlu olarak "Teknik Veriler" bölümünde tarif edilen ürünün 2011/65/EU (RoHS), 2014/30/EU, 2006/42/EC sayılı direktifin ve aşağıdaki harmonize temel belgelerin bütün önemli hükümlerine uygun olduğunu beyan etmekteyiz:

EN 60745-1 :2009+A11:2010
EN 60745-2-6:2010
EN 55014-1:2017
EN 55014-2:2015
EN 61000-3-2:2014
EN 61000-3-3:2013
EN IEC 63000:2018

Ölçülen gürültü emisyonu seviyesi 96 dB(A)

Garanti edilen gürültü emisyonu seviyesi 99 dB(A)
Tolerans K= 3 dB(A)

2000/14/AT Ek VI direktifine göre uygunluk değerlendirme prosedürü.

Yetkili merci:
DEKRA Certification B.V. (0344)
Meander 1051/P.O.Box 5185
6825 MS ARNHEIM/6802 ED ARNHEIM
Netherlands

Winnenden, 2019-03-03

Alexander Krug
Managing Director



Teknik evrakları hazırlamakla görevlendirilmiştir.

Techronic Industries GmbH
Max-Eyth-Straße 10
71364 Winnenden
Germany

TECHNICKÉ ÚDAJE

SEKACÍ KLADIVO

K 1000 S (220-240 V)

Výrobní číslo..... 4555 01 01...
.....000001-999999
Jmenovitý příkon 1750 W
Odběr..... 900 W
Počet úderů max 1400-1950 min⁻¹
Intenzita jednotlivých úderů podle EPTA-Procedure 05/2009 26 J
Uchycení nástroje..... SDS-MAX
Hmotnost podle prováděcího předpisu EPTA 01/2014 13,0 kg

Informace o hluku

Naměřené hodnoty odpovídají EN 60 745.

V třídě A posuzovaná hladina hluku přístroje činí typicky:

Hladina akustického tlaku (Kolísavost K=3dB(A))..... 85 dB (A)

Hladina akustického výkonu (Kolísavost K=3dB(A))..... 96 dB (A)

Používejte chrániče sluchu !

Informace o vibracích

Celkové hodnoty vibrací (vektorový součet tří směrů) zjištěné ve smyslu EN 60745.

Sekání

Hodnota vibračních emisí a_v..... 6,7 m/s²

Kolísavost K=..... 2 m/s²

VAROVÁNÍ!

Úroveň chvění uvedená v tomto návodu byla naměřena podle metody měření stanovené normou EN 60745 a může být použita pro porovnání elektrického nářadí. Hodí se také pro průběžný odhad zatížení chvěním.

Uvedená úroveň chvění představuje hlavní účely použití elektrického nářadí. Jestliže se ale elektrické nářadí používá pro jiné účely, s odlišnými nástroji nebo s nedostatečnou údržbou, může se úroveň chvění odlišovat. To může značně zvýšit zatížení chvěním během celé pracovní doby.

Pro přesný odhad zatížení chvěním se musí také zohlednit časy, během kterých je přístroj vypnutý nebo kdy je sice v chodu, ale skutečně se s ním nepracuje. To může zatížení chvěním během celé pracovní doby značně snížit.

Stanovte doplňková bezpečnostní opatření pro ochranu obsluhy před účinky chvění jako například: technická údržba elektrického nářadí a nástrojů, udržování teploty rukou, organizace pracovních procesů.

VAROVÁNÍ! Přečtěte si všechna výstražná upozornění, pokyny, zobrazení a specifikace pro toto elektrické nářadí.

Zanedbání při dodržování výstražných upozornění a pokynů uvedených v následujícím textu může mít za následek zásah elektrickým proudem, způsobit požár a/nebo těžké poranění.

Všechna varovná upozornění a pokyny do budoucna uschovejte.

BEZPEČNOSTNÍ POKYNY PRO SEKACÍ KLADIVO

Používejte chrániče sluchu. Působením hluku může dojít k poškození sluchu.

Při provádění prací, při kterých nástroj může narazit na skryta elektrická vedení, držte přístroj za izolované přidržovací plošky. Kontakt řezného nástroje s vedením pod napětím může vést k přenosu napětí na kovové části přístroje a k úrazu elektrickým proudem.

Používejte doplňková madla dodávána s přístrojem. Nedostatečným držením by mohlo dojít ke zranění.

DALŠÍ BEZPEČNOSTNÍ A PRACOVNÍ POKYNY

Použijte ochranné vybavení. Při práci s elektrickým nářadím používejte vždy ochranné brýle. Doporučujeme rovněž použití součástí ochranného oděvu a ochranné obuvi, jako protiprašné masky, ochranných rukavic, pevné a neklouzající obuvi, ochranné přilby a ochrany sluchu.

Prach vznikající při práci s tímto nářadím může být zdraví škodlivý. Proto by neměl přijít do styku s tělem. Používejte při práci vhodnou ochranou masku.

Nesmějí se opracovávat materiály, které mohou způsobit ohrožení zdraví (např. azbest)

Při zablokování nasazeného nástroje přístroj okamžitě vypněte! Přístroj nezapínejte, pokud je nasazený nástroj zablokovaný; mohl by při tom vzniknout zpětný náraz s vysokým reakčním momentem. Zjistěte příčinu zablokování nasazeného nástroje a odstraňte ji při dodržení bezpečnostních pokynů.

Možnými příčinami mohou být:

- vzpříčení v opracovávaném obrobku
- přelomení opracovávaného materiálu
- přetížení elektrického přístroje

Nezasahujte do běžícího stroje.

Nasazený nástroj se může během používání rozpálit.

VAROVÁNÍ! Nebezpečí popálení.

- při výměně nástroje
- při odkládání přístroje

Neustále dbát na to, aby byl kabel pro připojení k elektrické síti mimo dosah stroje. Kabel vést vždy směrem dozadu od stroje.

Při vrtání do zdi, stropu nebo podlahy dávat pozor na elektrické kabely, plynová a vodovodní potrubí.

Před zahájením veškerých prací na stroji vytáhnout síťovou zástrčku ze zásuvky.

Při práci zaujměte bezpečný postoj a stroj držte oběma rukama za obě držadla. V pracovním prostoru nesmí být přítomny žádné další osoby, zejména ne malé děti, ani zvířata.

Stroj během provozu nesměřujte na okolo stojící osoby. Nasazovací nástroj by se mohl vymrštit a způsobit těžká zranění.

Dávejte pozor na to, aby žádné osoby nebyly ohroženy vymrštnými nebo spadlými materiály. Vždy pracujte velmi pozorně a předvídavě.

Přístroj odkládejte opatrně. Nikdy neházejte přístroj na podlahu ani z větších výšek. Při hození dolů může přístroj poranit jiné osoby nebo se poškodit sám.

OBLAST VYUŽITÍ

Kladivo je použitelné k sekání do kamene a betonu.

Toto zařízení lze používat jen pro uvedený účel.

PŘIPOJENÍ NA SÍŤ

Ve venkovním prostředí musí být zásuvky vybaveny proudovým chráničem (FI, RCD, PRCD). Je to vyžadováno instalačním předpisem pro toto el.zařízení. Dodržujte ho při používání tohoto nářadí, prosím.

Připojit pouze do jednofázové střídací sítě o napětí uvedeném na štítku. Lze připojit i do zásuvky bez ochranného kontaktu neboť spotřebič je třídy II.

Přívodní kabel zapojit do zásuvky jen při vypnutém stroji.

Toto je přístroj k profesionálnímu užívání, který může mírně překračovat směrné hodnoty pro harmonické vlny při připojení na veřejnou nízkonapěťovou síť. Kontaktujte proto před připojením přístroje na veřejnou nízkonapěťovou síť svého příslušného dodavatele energie.

OCHRANA PROTI OPĚTOVNÉMU NÁBĚHU

Ochranný spínač zabrání znovu rozběhnutí stroje při obnovení napětí v síti po předchozím výpadku. Nejprve je nutné dát spínač do polohy vypnuto a potom Zapnout.

PŘEPRAVA, MANIPULACE, USKLADNĚNÍ

Stroj je těžký. Pokud stroj spadne, hrozí riziko těžkého zranění.

Stroj nemá žádné zdvihací ani vázací body.

Zdvihněte stroj za přídavnou rukojeť a položte jej na vhodný transportní prostředek.

Stroj při zvedání, transportu a skladování zabezpečte proti překlopení, spadnutí nebo sklouznutí.

Stroj před uskladněním nechte vždy nejdříve vychladnout.

Stroj uskladněte na uzamčeném, čistém, proti mrazu chráněném a suchém místě, které je nepřístupné pro děti.

VÝMĚNA NÁSTROJE

Výměnu nasazovacího nástroje viz v obrázkové části.

Nasazovací nástroj musí být vhodný pro uchycení nástroje.

Násada nasazovacího nástroje musí být nepoškozená.

Nasazovací nástroj musí být dostatečně ostrý, aby se zabránilo odrazům.

Nasazovací nástroj musí být vhodný pro plánovaný účel použití.

Po nasazení nasazovacího nástroje zkontrolujte, jestli je řádně upevněný.

ÚDRŽBA

Větrací štěrbinu nářadí udržujeme stále čisté.









Při obroušení uhlíků je nutná jejich výměna v odborném servisu. Zaručuje to i prodloužení životnosti stroje a jeho spolehlivost v provozu.


Dojde-li k poškození přívodního kabelu, nechte jej vyměnit v autorizovaném servisu, protože k výměně je zapotřebí speciální nástroj.

Používat výhradně příslušenství Milwaukee a náhradní díly Milwaukee. Díly jejichž výměny nebyla popsána, nechte vyměnit v autorizovaném servisu (viz."Záruky / Seznam servisních míst)


V případě potřeby si můžete v servisním centru pro zákazníky nebo přímo od firmy Techtronic Industries GmbH, Max-Eyth-Straße 10, 71364 Winnenden, Německo vyžádat schematický náčrt jednotlivých dílů přístroje, když uvedete typ přístroje a šestimístné číslo na výkonovém štítku.

SYMBOLY


	POZOR! VAROVÁNÍ! NEBEZPEČÍ!
	Před zahájením veškerých prací na vrtacím šroubováku vyjmout výměnný akumulátor.
	Před spuštěním stroje si pečlivě přečtěte návod k používání.
	Používejte ochranné rukavice!
	Používejte chrániče sluchu!
	Při práci se strojem neustále nosit ochranné brýle.
	Opatrně – horké povrchy!
	Hladina akustického výkonu garantovaná podle typového štítku činí 99 dB.

 Elektrická zařízení, baterie/akumulátory se nesmí likvidovat společně s odpadem z domácnosti. Elektrická zařízení, baterie/akumulátory je třeba sbírat odděleně a odevzdat je v recyklačním podniku na ekologickou likvidaci. Na místních úřadech nebo u vašeho specializovaného prodejce se informujte na recyklační podniky a sběrné dvory.

 Značka shody v Evropě

 Regulatory Compliance Mark (RCM). Produkt splňuje platné předpisy.

 Značka shody na Ukrajině

 Značka shody pro oblast Eurasie

CE-PROHLÁŠENÍ O SHODĚ

Výhradně na vlastní zodpovědnost prohlašujeme, že se výrobek popsany v "Technických údajích" shoduje se všemi relevantními předpisy směrnice 2011/65/EU (RoHS), 2014/30/ES, 2006/42/ES a s následujícími harmonizovanými normativními dokumenty:

EN 60745-1 :2009+A11:2010
EN 60745-2-6:2010
EN 55014-1:2017
EN 55014-2:2015
EN 61000-3-2:2014
EN 61000-3-3:2013
EN IEC 63000:2018

Naměřená hladina akustického výkonu 96 dB(A)

Zaručená hladina akustického výkonu 99 dB(A)
Kolísavost K= 3 dB(A)

Postup hodnocení shody podle 2000/14/ES, příloha VI.

Notifikovaná osoba:
DEKRA Certification B.V. (0344)
Meander 1051/P.O.Box 5185
6825 MS ARNHEIM/6802 ED ARNHEIM
Netherlands

Winnenden, 2019-03-03



Alexander Krug
Managing Director



Zplnomocněn k sestavování technických podkladů.

Techtronic Industries GmbH
Max-Eyth-Straße 10
71364 Winnenden
Germany

TECHNICKÉ ÚDAJE SEKACIE KLADIVO K 1000 S (220-240 V)

Výrobné číslo.....	4555 01 01... ...000001-999999
Menovitý príkon	1750 W
Výkon.....	900 W
Max. počet úderov pri záťaži	1400-1950 min ⁻¹
Intenzita jednotlivých príklepov podľa EPTA Procedure 05/2009	26 J
Uprnutie nástroja	SDS-MAX
Hmotnosť podľa vykonávacieho predpisu EPTA 01/2014	13,0 kg

Informácia o hluku

Namerané hodnoty určené v súlade s EN 60 745.

V triede A posudzovaná hladina hluku prístroja činí typicky:

Hladina akustického tlaku (Kolísavosť K=3dB(A))..... 85 dB (A)

Hladina akustického výkonu (Kolísavosť K=3dB(A))..... 96 dB (A)

Používajte ochranu sluchu!**Informácie o vibráciách**

Celkové hodnoty vibrácií (vektorový súčet troch smerov)

zistené v zmysle EN 60745.

Osekávanie

Hodnota vibračných emisií a_h..... 6,7 m/s²

Kolísavosť K=..... 2 m/s²

POZORI!

Úroveň vibrácií uvedená v týchto pokynoch bola nameraná meracou metódou, ktorú stanovuje norma EN 60745 a je možné ju použiť na vzájomné porovnanie elektrického náradia. Hodí sa aj na predbežné posúdenie kmitavého namáhania.

Uvedená úroveň vibrácií reprezentuje hlavné aplikácie elektrického náradia. Ak sa však elektrické náradie používa pre iné aplikácie, s odlišnými vloženími nástrojmi alebo s nedostatočnou údržbou, môže sa úroveň vibrácií líšiť. Toto môže kmitavé namáhanie v priebehu celej pracovnej doby podstatne zvýšiť.

Pre presný odhad kmitavého namáhania by sa mali tiež zohľadniť doby, v ktorých je náradie vypnuté alebo je síce v chode, ale v skutočnosti sa nepoužíva. Toto môže kmitavé namáhanie v priebehu celej pracovnej doby zreteľne redukovat'.

Stanovte dodatočné bezpečnostné opatrenia pre ochranu obsluhy pred účinkami vibrácií, ako napríklad: údržba elektrického náradia a vložení nástrojov, udržiavanie teploty rúk, organizácia pracovných postupov.

VAROVANIE! Prečítajte si všetky výstražné upozornenia, pokyny, znázornenia a špecifikácie pre toto elektrické náradie. Zanedbanie pri dodržiavaní výstražných upozornení a pokynov uvedených v nasledujúcom texte môže mať za následok zásah elektrickým prúdom, spôsobiť požiar a/alebo ťažké poranenie.

Tieto výstražné upozornenia a bezpečnostné pokyny starostlivo uschovajte na budúce použitie.

BEZPEČNOSTNÉ POKYNY PRE SEKACIE KLADIVO

Používajte ochranu sluchu. Pôsobenie hluku môže spôsobiť stratu sluchu.

Pri realizovaní prác, pri ktorých nástroj môže naraziť na skryté elektrické vedenia, držte prístroj za izolované pridrôzovacie plošky. Kontakt rezného nástroja s vedením pod napätím môže viesť k prenosu napätia na kovové časti prístroja a k úrazu elektrickým prúdom.

Používajte prídavné rukoväte dodané spolu s prístrojom. Strata kontroly nad strojom môže viesť k zraneniu.

ĎALŠIE BEZPEČNOSTNÉ A PRACOVNÉ POKYNY

Použite ochranné vybavenie. Pri práci s elektrickým náradím používajte vždy ochranné okuliare. Doporučujeme taktiež použitie súčastí ochranného odevu a ochrannej obuvi, ako sú protiprašná maska, ochranné rukavice, pevná a nekľzajúca obuv, ochranná prilba a ochrana sluchu.

Prach vznikajúci pri práci môže byť škodlivý zdraviu. Pri práci nosiť vhodnú ochrannú masku, aby sa nedostal do ľudského organizmu.

Nesmú sa opracovávať materiály, ktoré môžu spôsobiť ohrozenie zdravia (napr. azbest)

Pri zablokovaní nasadeného nástroja prístroj okamžite vypnite! Prístroj nezapínajte, pokiaľ je nasadený nástroj zablokovaný; mohol by pri tom vzniknúť spätný náraz s vysokým reakčným momentom. Príčinu zablokovania nasadeného nástroja zistíte a odstránite so zohľadnením bezpečnostných pokynov.

Možnými príčinami môžu byť:

- spriečenie v opracovávanom obrobku
- prelomenie opracovávaného materiálu
- preťaženie elektrického prístroja

Nezasahujte do bežiacieho stroja.

Nasadený nástroj sa počas používania môže rozhorúčiť.

POZORI! Nebezpečenstvo popálenia

- pri výmene nástroja
- pri odkladaní prístroja

Pripojovací kábel držte mimo pracovnej oblasti stroja. Kábel smerujte vždy smerom dozadu od stroja.

Pri práci v stene, strope alebo v podlahe dávajte pozor na elektrické káble, plynové a vodovodné potrubia.

Pred každou prácou na stroji vytiahnite zástrčku zo zásuvky.

Pri práci zaujať bezpečný postoj a prístroj držať vždy oboma rukami a za obe rukoväte. V pracovnom priestore sa nesmú zdržiavať žiadne iné osoby - predovšetkým deti - a zvieratá.

Stroj počas prevádzky nesmerujte na okolo stojace osoby. Nasadzovací nástroj by sa mohol vymrštiť a spôsobiť ťažké zranenia.

Dávajte pozor na to, aby žiadne osoby neboli ohrozené vymrštenými alebo spadnutými materiálmi. Vždy pracujte veľmi pozorne a predvídavo.

Prístroj odkladajte opatrne. Nikdy nehádzte prístroj na podlahu ani z väčších výšok. Pri hodení dole môže prístroj poraniť iné osoby alebo sa poškodiť sám.

POUŽITIE PODĽA PREDPISOV

Kladivo je určené na osekávanie kamena a betónu

Tento prístroj sa smie používať len v súlade s uvedenými predpismi.

SIEŤOVÁ PRÍPOJKA

Zásuvky vo vonkajšom prostredí musia byť vybavené ochranným spínačom proti prudovým nárazom (FI, RCD, PRCD). Toto je inštalčný predpis na Vaše elektrické zariadenie. Venujte prosím tomuto pozorosti pri používaní nášho prístroja.

Pripájať len na jednofázový striedavý prúd a na sieťové napätie uvedené na štítku. Pripojenie je možné aj do zásuviek bez ochranného kontaktu, pretože ide o konštrukciu ochrannej triedy II.

Do zásuvky pripájať len vypnutý prístroj.

Tento prístroj je určený na profesionálne použitie a môže orientačné hodnoty špičkového prúdu pri pripojení na verejnú rozvodnú sieť nepatrne prekračovať. Preto sa pred jeho pripojením na verejnú rozvodnú sieť spojte so svojim elektrozásobovacím podnikom.

OCHRANA PROTI OPĀTOVNÉMU NÁBEHU

Spínač nulového napätia zabraňuje samočinnému spusteniu stroja pri výpadku prúdu. Po obnovení dodávky prúdu je potrebné stroj vypnúť a opäť zapnúť.

PREPRAVA, MANIPULÁCIA, USKLADNENIE

Stroj je ťažký. Keď stroj spadne, existuje nebezpečenstvo ťažkého poranenia.

Stroj nemá žiadne zdvihacie ani viazacie body.

Zdvihnite stroj za prídavnú rukoväť a položte ho na vhodný transportný prostriedok.

Stroj pri zdvíhaní, transporte a skladovaní zabezpečte proti preklopeniu, spadnutiu alebo sklznutiu.

Stroj pred uskladnením nechajte vždy najprv vychladnúť.

Stroj uskladnite na uzamknutom, čistom, proti mrazu chránenom a suchom mieste, ktoré je neprístupné pre deti.

VÝMENA NÁSTROJA

Výmenu nasadzovacieho nástroja pozri v obrázkovej časti.

Nasadzovací nástroj musí byť vhodný pre uchytienie nástroja.

Násada nasadzovacieho nástroja musí byť nepoškodená.

Nasadzovací nástroj musí byť dostatočne ostrý, aby sa zabránilo odrazom.

Nasadzovací nástroj musí byť vhodný na plánovaný účel použitia.

Po nasadení nasadzovacieho nástroja skontrolujte, či je riadne zablokovaný.

ÚDRZBA

Vetracie otvory udržiavať stále v čistote.

Pri opotrebovaných uhlíkových kefách by sa mala vykonať okrem výmeny uhlíkových kef v zákaznickom centre aj prehliadka prístroja. Toto predlžuje životnosť prístroja a zaručuje stálu funkčnosť.

Aj dôjde k poškodeniu prívodného kábla, nechajte ho vymeniť v autorizovanom servise, pretože k výmene je potrebný špeciálny nástroj.

Používať len Milwaukee príslušenstvo a Milwaukee náhradné diely. Súčiastky bez návodu na výmenu treba dať vymeniť v jednom z Milwaukee zákazníckych centier (viď brožúru Záruka/ Adresy zákazníckych centier).

V prípade potreby si môžete v servisnom centre pre zákazníkov alebo priamo od firmy Techtronic Industries GmbH, Max-Eyth-Straße 10, 71364 Winnenden, Nemecko, vyžiadať schematický náčrt jednotlivých dielov prístroja pri uvedení typu prístroja a šesťmiestneho čísla na výkonnom štítku.

SYMBOLY

	POZOR! NEBEZPEČENSTVO!
	Pred každou prácou na stroji výmenný akumulátor vytiahnuť.
	Pred prvým použitím prístroja si pozorne prečítajte návod na obsluhu.
	Používajte ochranné rukavice!
	Používajte ochranu sluchu!
	Pri práci so strojom vždy noste ochranné okuliare.
	Opatrne – horúce povrchy!
	Hladina akustického výkonu garantovaná podľa typového štítku činí 99 dB.



Elektrické zariadenia, batérie/akumulátory sa nesmú likvidovať spolu s odpadom z domácností. Elektrické zariadenia, batérie/akumulátory treba zbierať oddelene a odovzdať ich v recyklačnom podniku na ekologickú likvidáciu. Na miestnych úradoch alebo u vášho špecializovaného predajcu sa pýtajte na recyklačné podniky a zberné dvory.



Značka zhody v Európe



Regulatory Compliance Mark (RCM). Produkt spĺňa platné predpisy.



Značka zhody na Ukrajině



Značka zhody pre oblasť Eurázie

CE - VYHLÁSENIE KONFORMITY

Výhradne na vlastnú zodpovednosť vyhlasujeme, že výrobok popísaný v "Technických údajoch" sa zhoduje so všetkými relevantnými predpismi smernice 2011/65/EU (RoHS), 2014/30/EÚ, 2006/42/EC a nasledujúcimi harmonizujúcimi normatívnymi dokumentmi:

EN 60745-1 :2009+A11:2010
EN 60745-2-6:2010
EN 55014-1:2017
EN 55014-2:2015
EN 61000-3-2:2014
EN 61000-3-3:2013
EN IEC 63000:2018

Nameraná hladina akustického výkonu 96 dB(A)
Garantovaná hladina akustického výkonu 99 dB(A)
Kóľísavosť K= 3 dB(A)

Postup hodnotenia zhody podľa 2000/14/ES, príloha VI.

Označený orgán:
DEKRA Certification B.V. (0344)
Meander 1051/P.O.Box 5185
6825 MS ARNHEIM/6802 ED ARNHEIM
Netherlands

Winnenden, 2019-03-03

Alexander Krug
Managing Director



Spĺnomocnený zostaviť technické podklady.

Techtronic Industries GmbH
Max-Eyth-Straße 10
71364 Winnenden
Germany

SPECYFIKACJA TECHNICZNA

MŁOT UDAROWY

K 1000 S (220-240 V)

Numer produkcyjny..... 4555 01 01...
.....000001-999999
Znamionowa moc wyjściowa 1750 W
Moc wyjściowa..... 900 W
Częstotliwość udaru przy obciążeniu maks..... 1400-1950 min⁻¹
Energia udaru zgodna z EPTAProcedure 05/2009 26 J
Gniazdo końcówki SDS-MAX
Ciężar wg procedury EPTA 01/2014 13,0 kg

Informacja dotycząca szumów

Zmierzone wartości wyznaczono zgodnie z normą EN 60 745.

Poziom szumów urządzenia oszacowany jako A wynosi

typowo:

Poziom ciśnienia akustycznego (Niepewność K=3dB(A))..... 85 dB (A)

Poziom mocy akustycznej (Niepewność K=3dB(A)) 96 dB (A)

Należy używać ochroniaczy uszu!

Informacje dotyczące wibracji

Wartości łączne drgań (suma wektorowa trzech kierunków)

wyznaczone zgodnie z normą EN 60745

Dłutowanie

Wartość emisji drgań a_h..... 6,7 m/s²

Niepewność K=..... 2 m/s²

OSTRZEŻENIE!

Podany w niniejszych instrukcjach poziom drgań został zmierzony za pomocą metody pomiarowej zgodnej z normą EN 60745 i może być użyty do porównania ze sobą elektronarzędzi. Nadaje się on również do tymczasowej oceny obciążenia wibracyjnego.

Podany poziom drgań reprezentuje główne zastosowania elektronarzędzia. Jeśli jednakże elektronarzędzie użyte zostanie do innych celów z innymi narzędziami roboczymi lub nie jest dostatecznie konserwowane, wtedy poziom drgań może wykazywać odchylenia. Może to wyraźnie zwiększyć obciążenie wibracjami przez cały okres pracy.

Dla dokładnego określenia obciążenia wibracjami należy uwzględnić również czasy, w których urządzenie jest wyłączone względnie jest włączone, lecz w rzeczywistości nie pracuje. Może to spowodować wyraźną redukcję obciążenia wibracyjnego w całym okresie pracy.

Należy wprowadzić dodatkowe środki zapobiegawcze celem ochrony obsługującego przed oddziaływaniem drgań, jak na przykład: konserwacja narzędzi roboczych i elektronarzędzi, nagrzanie rąk, organizacja przebiegu pracy.

⚠ OSTRZEŻENIE! Należy przeczytać wszystkie wskazówki bezpieczeństwa, instrukcje, opisy i specyfikacje dotyczące tego elektronarzędzia.

Zaniedbania w przestrzeganiu poniższych wskazówek mogą spowodować porażenie prądem, pożar i/lub ciężkie obrażenia ciała.

Należy starannie przechowywać wszystkie przepisy i wskazówki bezpieczeństwa dla dalszego zastosowania.

⚠ WSKAZÓWKI BEZPIECZEŃSTWA DLA MŁOTA UDAROWEGO

Stosować środki ochrony słuchu! Narażenie na hałas może spowodować utratę słuchu.

Trzymaj urządzenie za izolowane powierzchnie chwytne gdy wykonujesz roboty, w trakcie których narzędzie skrawające może natrafić na ukryte przewody prądowe. Styczność narzędzia skrawającego z będącym pod napięciem przewodem może spowodować podłączenie części metalowych urządzenia do napięcia i prowadzić do porażenia prądem elektrycznym.

Stosować uchwyty pomocnicze dostarczone z narzędziem. Utrata kontroli może spowodować obrażenia.

DODATKOWE WSKAZÓWKI BEZPIECZEŃSTWA I INSTRUKCJE ROBOCZE

Stosować wyposażenie ochronne. Przy pracy maszyną zawsze nosić okulary ochronne. Zalecana jest odzież ochronna, jak maska pyłochronna, rękawice ochronne, mocne i chroniące przed poślizgiem obuwie, kask i ochronniki słuchu.

Kurz powstający przy pracy z tym elektronarzędziem może być szkodliwy dla zdrowia, w związku z tym nie powinien dotrzeć do ciała. Nosić odpowiednią maskę przeciwpyłową.

Nie wolno obrabiać materiałów, które mogą być przyczyną zagrożenia zdrowia (na przykład azbestu).

W przypadku zablokowania narzędzia nasadzanego należy natychmiast wyłączyć urządzenie! Nie należy ponownie włączać urządzenia tak długo, jak długo narzędzie nasadzone jest zablokowane; przy tym mogłyby powstać odrzut zwrotny o dużym momencie reakcyjnym. Należy wykrzyć i usunąć przyczynę zablokowania narzędzia nasadzanego uwzględniając wskazówki dotyczące bezpieczeństwa.

Możliwymi przyczynami tego mogą być:

- Skośne ustawienie się w poddawanych obróbce przedmiocie obrabianym
- Przerwanie materiału poddawanego obróbce
- Przeciążenie narzędzia elektrycznego

Nie należy sięgać do wnętrza maszyny będącej w ruchu.

Narzędzie nasadzane może w trakcie użytkowania stać się gorące.

OSTRZEŻENIE! Niebezpieczeństwo oparzenia się

- przy wymianie narzędzia
- przy odstawianiu urządzenia

Kabel zasilający nie może znajdować się w obszarze roboczym elektronarzędzia. Powinien on się zawsze znajdować się za operatorem.

Podczas pracy przy ścianach, sufitach i podłodze należy uważać na kable elektryczne, przewody gazowe i wodociągowe.

Przed przystąpieniem do jakichkolwiek prac związanych z elektronarzędziem należy wyjąć wtyczkę z gniazdka.

Zawsze pamiętać o zachowaniu bezpiecznej równowagi i o trzymaniu elektronarzędzia oboma rękami. W obszarze pracy nie mogą się znajdować żadne dzieci ani zwierzęta.

Nie należy obracać maszyny w trakcie pracy w kierunku znajdujących się wokół osób. Może nastąpić odrzut obsługiwanego narzędzia, który doprowadzi do ciężkich obrażeń.

Należy upewnić się, że żadne osoby nie są zagrożone przez odrzucone lub spadające przedmioty. Pracę należy wykonywać z uwagą i przewidując.

Ostrożnie odłożyć urządzenie. Nie rzucać urządzeniem na ziemię ani z dużej wysokości. Rzucanie urządzeniem może doprowadzić do jego uszkodzenia lub spowodować obrażenia innych osób.

WARUNKI UŻYTKOWANIA

Młot do dłutowania i prac wyburzeniowych

Produkt można użytkować wyłącznie zgodnie z jego normalnym przeznaczeniem.

PODŁĄCZENIE DO SIECI

Urządzenia pracujące w wielu różnych miejscach, w tym poza pomieszczeniami zamkniętymi, należy podłączać poprzez ochronny (FI, RCD, PRCD) wyłącznik udarowy.

Podłączać tylko do źródła zasilania prądem zmiennym jednofazowym i wyłącznie o napięciu podanym na tabliczce znamionowej. Możliwe jest również podłączenie do gniazdka bez uziemienia, ponieważ konstrukcja odpowiada II klasie bezpieczeństwa.

Przed włożeniem wtyczki do gniazdka upewnić się, czy urządzenie jest wyłączone.

Jest to urządzenie do użytku profesjonalnego, które w przypadku podłączenia do publicznej sieci niskiego napięcia może przekroczyć wskaźniki wyższych harmonicznych prądowych. Dlatego też przed podłączeniem do publicznej sieci niskiego napięcia należy skontaktować się, w razie potrzeby, z właściwym przedsiębiorstwem energetycznym.

ZABEZPIECZENIE PRZED PONOWNYM URUCHOMIENIEM

Łącznik działający przy napięciu zerowym zapobiega uruchomieniu się narzędzia po przerwie w dopływie energii elektrycznej. Przy podejmowaniu pracy na nowo należy wyłączyć urządzenie i włączyć je ponownie.

TRANSPORT, OBCHODZENIE SIĘ, PRZECHOWYWANIE

Maszyna jest ciężka. Istnieje ryzyko poważnych obrażeń ciała w przypadku upadku maszyny.

Maszyna nie ma punktów podnoszenia lub mocowania.

Należy podnieść maszynę za pomocniczą rączkę i umieść ją na odpowiednim środku transportu.

Podczas podnoszenia, transportu i magazynowania maszyny należy zabezpieczyć ją przed przewróceniem, upadkiem lub poślizgnięciem.

Przed składowaniem maszyny zawsze należy najpierw poczekać na jej ochłodzenie.

Przechowywać maszynę w miejscu zamkniętym, czystym, chronionym przed mrozem, suchym i niedostępnym dla dzieci.

WYMIANA NARZĘDZIA

Wymiana stosowanego narzędzia, patrz część rysunku.

Stosowane narzędzie musi pasować do uchwytu narzędziowego.

Trzon zastosowanego narzędzia nie może być uszkodzony.

Stosowane narzędzie musi być wystarczająco ostre, aby uniknąć uderzeń mechanicznych.

Użyte narzędzie musi być odpowiednie do zamierzonego zastosowania.

Po zamocowaniu narzędzia należy sprawdzić, czy jest prawidłowo zablokowane.

UTRZYMANIE I KONSERWACJA

Otwory wentylacyjne elektronarzędzia muszą być zawsze drożne.

Ważne! W przypadku zużycia szczotek węglowych po ich wymianie elektronarzędzie należy przekazać do serwisu obsługi posprzedażnej. Zapewni to długi okres użytkowania i maksymalne osiągi elektronarzędzia.

Jeżeli kabel zasilania sieciowego jest uszkodzony, musi on być wymieniony przez serwis naprawczy, ponieważ niezbędne jest specjalne narzędzie.

Używać tylko i wyłącznie wyposażenia dodatkowego Milwaukee i części zamiennych Milwaukee. Gdyby trzeba było wymienić części, które nie zostały opisane, należy skontaktować się z przedstawicielem serwisu Milwaukee (patrz wykaz adresów punktów usługowych/gwarancyjnych).

W razie potrzeby można zamówić rysunek urządzenia w rozłożeniu na części podając typ maszyny oraz sześciopozycyjny numer na tabliczce znamionowej w Punkcie Obsługi Klienta lub bezpośrednio w firmie Techtronic Industries GmbH, Max-Eyth-Straße 10, 71364 Winnenden, Germany.

SYMBOLY



UWAGA! OSTRZEŻENIE
NIEBEZPIECZENSTWO!



Przed przystąpieniem do jakichkolwiek prac na elektronarzędziu należy wyjąć wkładkę akumulatorową.



Przed uruchomieniem elektronarzędzia zapoznać się uważnie z treścią instrukcji.



Nosić rękawice ochronne!



Należy używać ochroniaczy uszu!



Podczas pracy należy zawsze nosić okulary ochronne.



Ostrożnie – gorące powierzchnie!



Poziom mocy akustycznej gwarantowany przez tabliczkę znamionową wynosi 99 dB.



Urządzenia elektryczne, baterie/akumulatory nie mogą być usuwane razem z odpadami pochodzącymi z gospodarstw domowych. Urządzenia elektryczne i akumulatory należy gromadzić oddzielnie i w celu usuwania ich do odpadów zgodnie z wymaganiami środowiska naturalnego oddawać do przedsiębiorstwa utylizacyjnego. Proszę zasięgnąć informacji o centrach recyklingowych i punktach zbiorczych u władz lokalnych lub u wyspecjalizowanego dostawcy.



Europejski Certyfikat Zgodności



Regulatory Compliance Mark (RCM). Produkt spełnia obowiązujące przepisy.



Ukraiński Certyfikat Zgodności



Euroazjatycki Certyfikat Zgodności

DEKLARACJA ZGODNOŚCI CE

Oświadczamy na naszą wyłączną odpowiedzialność, że produkt opisany w punkcie "Dane techniczne" jest zgodny ze wszystkimi istotnymi przepisami Dyrektywy 2011/65/EU (RoHS), 2014/30/UE, 2006/42/WE oraz z następującymi zharmonizowanymi dokumentami normatywnymi:

EN 60745-1 :2009+A11:2010
EN 60745-2-6:2010
EN 55014-1:2017
EN 55014-2:2015
EN 61000-3-2:2014
EN 61000-3-3:2013
EN IEC 63000:2018

Zmierzony poziom mocy akustycznej 96 dB(A)

Gwarantowany poziom mocy akustycznej 99 dB(A)
Niepewność K= 3 dB(A)

Procedura oceny zgodności według 2000/14/WE Załącznik VI.

Organ powiadamiany:
DEKRA Certification B.V. (0344)
Meander 1051/P.O.Box 5185
6825 MS ARNHEIM/6802 ED ARNHEIM
Netherlands

Winnenden, 2019-03-03

Alexander Krug
Managing Director



Uppełnomocniony do zestawienia danych technicznych

Techtronic Industries GmbH
Max-Eyth-Straße 10
71364 Winnenden
Germany

Gyártási szám.....	4555 01 01...
	...000001-999999
Névleges teljesítményfelvétel.....	1750 W
Leadott teljesítmény	900 W
Ütőszám terhelés alatt max.....	1400-1950 min ⁻¹
Egyedi ütőerő az „EPTAProcedure 05/2009” (2009/05 EPTA-eljárás) szerint	26 J
Bitbefogás.....	SDS-MAX
Súlya a 01/2014 EPTA-eljárás szerint.....	13,0 kg

Zajinformáció

A közölt értékek megfelelnek az EN 60 745 szabványnak.
A készülék munkahelyi zajszintje tipikusan:
Hangnyomás szint (K bizonytalanság=3dB(A)).....85 dB (A)
Hangteljesítmény szint (K bizonytalanság=3dB(A)).....96 dB (A)
Hallásvédő eszköz használata ajánlott!

Vibráció-információk

Összesített rezgésértékek (három irány vektoriális összege)
az EN 60745-nek megfelelően meghatározva:
Vésés
ah rezgésemisszió érték.....6,7 m/s²
K bizonytalanság.....2 m/s²

FIGYELMEZTETÉS!

A jelen utasításokban megadott rezgésszint értéke az EN 60745-ben szabályozott mérési eljárásnak megfelelően került lemérésre, és használható elektromos szerszámokkal történő összehasonlításhoz. Az érték alkalmas a rezgésterhelés előzetes megbecsülésére is.

A megadott rezgésszint-érték az elektromos szerszám legfőbb alkalmazásait reprezentálja. Ha az elektromos szerszámot azonban más alkalmazásokhoz, eltérő használt szerszámokkal vagy nem elegendő karbantartással használják, a rezgésszint értéke eltérő lehet. Ez jelentősen megnövelheti a rezgésterhelést a munkavégzés teljes időtartama alatt.

A rezgésterhelés pontos megbecsüléséhez azokat az időket is figyelembe kell venni, melyekben a készülék lekapcsolódik, vagy ugyan működik, azonban ténylegesen nincs használatban. Ez jelentősen csökkentheti a munkavégzés teljes időtartama alatt.

Határozzon meg további biztonsági intézkedéseket a kezelő védelmére a rezgések hatása ellen, például: az elektromos és a használt szerszámok karbantartásával, a kezek melegen tartásával, a munkafolyamatok megszervezésével.

▲ FIGYELMEZTETÉS! Olvassa el az elektromos kéziszerszámra vonatkozó összes biztonsági útmutatót, utasítást, ábrát és specifikációt. A következőkben leírt utasítások betartásának elmulasztása áramütésekhez, tűzhoz és/vagy súlyos testi sérülésekhez vezethet.

Kérjük a későbbi használatra gondosan őrizze meg ezeket az előírásokat.

▲ BIZTONSÁGI ÚTMUTATÁSOK VÉSŐKALAPÁCSOKHOZ

Viseljen hallásvédőt. A zajhatás a hallás elvesztését eredményezheti.

A készüléket a szigetelt markolatfelületeket fogva tartsa, ha olyan munkálatokat végez, melyeknél a vágószerszám rejtett elektromos vezetékbe. A vágószerszám feszültségvezető vezetékkel való érintkezésekor a készülék fém részei is feszültség alá kerülhetnek, és elektromos áramütés következhet be.

Használja a készülékkel együtt szállított kézfogantyúkat. A készülék fölötti ellenőrzés elvesztése sérüléseket okozhat.

TOVÁBBI BIZTONSÁGI ÉS MUNKAVÉGZÉSI UTASÍTÁSOK

Használjon védőfelszerelést! Ha a gépen dolgozik, mindig hordjon védőszemüveget! Javasoljuk a védőruházat, úgymint porvédő maszk, védőcipő, erős és csúszásbiztos lábbeli, sisak és hallásvédő használatát.

A munka során keletkező por gyakran egészségre káros, ezért ne kerüljön a szervezetbe
Hordjon e célra alkalmas porvédőmaszkot.

Nem szabad olyan anyagokat megmunkálni, amelyek egészségre veszélyesek (pl. aszbesztet).

A betétszerszám elakadásakor azonnal ki kell kapcsolni a készüléket! Addig ne kapcsolja vissza a készüléket, amíg az betétszerszám elakadása fennáll; ennek során nagy ellennyomatékú visszarúgás történhet. Határozza és szüntesse meg a betétszerszám elakadásának okát a biztonsági útmutatások betartása mellett.

Ennek következők lehetnek az okai:

- a szerszám elakad a megmunkálandó munkadarabban
- a megmunkálandó anyag átszakadt
- az elektromos szerszám túlterhelése

Ne nyúljon a járó gépbe.

A betétszerszám az alkalmazás során felforrósodhat.

FIGYELMEZTETÉS! Égési sérülések veszélye

- szerszámcserekor
- a készülék lerakásakor

Munka közben a hálózati csatlakozókábelt a sérülés elkerülése érdekében a munkaterülettől, illetve a készüléktől távol kell tartani.

Falban, földemben, aljzatban történő fúrásnál fokozottan ügyelni kell az elektromos-, víz- és gázvezetésekre.

Bármilyen jellegű karbantartás vagy javítás előtt a készüléket áramtalanítani kell.

Munkavégzéskor ügyeljen a biztonságos testhelyezetre és a készüléket mindig két kézzel, a fogantyúknál fogva tartsa. A munkaterületen ne tartózkodjon más személy - elsősorban gyermek -, vagy élőlény.

Ne irányítsa a gépet üzemeltetés közben közelben álló személyekre. Az alkalmazott szerszám kilöködhet és súlyos sérüléseket okozhat.

Ügyeljen arra, hogy kilöködött vagy leeső anyagok senkit ne veszélyeztethessenek. Mindig nagyon figyelmesen és előrelátóan dolgozzon.

A készüléket óvatosan tegye le. Ne dobja a készüléket a földre vagy ne ejtse le nagyobb magasságból. Ledobásnál a készülék másoknak sérülést okozhat, vagy megsérülhet.

RENDELTESSZERŰ HASZNÁLAT

A bontókalapács használható kőzetekbe történő véséshez és betonban.

A készüléket kizárólag az alábbiakban leírtaknak megfelelően szabad használni.

HÁLÓZATI CSATLAKOZTATÁS

Szabadban a dugaljat hibaáram-védőkapcsolóval kell ellátni. Az elektromos készülékek üzembehelyezési útmutatása ezt kötelezően előírja (FI, RCD, PRCD).
Ügyeljen erre az elektromos kéziszerszámok használatakor is.

A készüléket csak egyfázisú váltóáramra és a teljesítménytáblán megadott hálózati feszültségre csatlakoztassa. A csatlakoztatás védőérintkező nélküli dugaszolóaljzatokra is lehetséges, mivel a készülék felépítése II. védettségi osztályú.

Mielőtt áram alá helyezi a gépet, győződjön meg róla, hogy a gép ki van kapcsolva.

Ez egy professzionális használatra szánt készülék, amely az áram felharmonikusokra vonatkozó irányértékeket a kifizetsültségű nyilvános hálózathoz való csatlakozásnál kismértékben túllépheti. A készülék kifizetsültségű nyilvános hálózathoz való csatlakoztatása előtt ezért adott esetben vegye fel a kapcsolatot illetékes energiaszolgáltató vállalatával.

ÚJRAINDULÁS ELLENI VÉDELLEM

A nullafeszültség-kapcsoló megakadályozza a gép újboli beindulását áramszünet után. Ismételt munkakezdésnél a gépet ki, majd megint be kell kapcsolni.

SZÁLLÍTÁS, KEZELÉS, TÁROLÁS

A gép nehéz. A gép leesése esetén súlyos sérülésveszély áll fenn.

A gépnek nincsenek emelési vagy kötözési pontjai.

A gépet a kiegészítő fogantyúnál kell felemelni és alkalmas szállítóeszközre helyezni.

A gépet emelésnél, szállításkor és tárolásnál biztosítani kell felborulás, leesés vagy elcsúszás ellen.

A gépet tárolás előtt először mindig hagyni kell lehűlni.

A gépet elzárt, tiszta, fagytól védett és száraz, gyermek számára nem hozzáférhető helyen kell tárolni.

SZERSZÁMCSERE

Az alkalmazott szerszám cseréjéhez lásd a képes részt.

A szerszámnak a befogóhoz megfelelőnek kell lennie.

A szerszám szárának sértetlennek kell lennie.

A szerszámnak kellően élesnek kell lennie a visszarúgások elkerülése érdekében.

A szerszámnak a tervezett alkalmazási célnak megfelelőnek kell lennie.

A szerszám behelyezése után ellenőrizni kell, hogy szabályosan reteszelődő-e.

KARBANTARTÁS

A készülék szellőzőnyílásait mindig tisztán kell tartani.

Az elhasználdott szénkefákat az illetékes márkaszervizzel haladéktalanul kell kicseréltetni, így jelentősen megnövelhető a készülék élettartama és garantált a folyamatos üzemkész állapot.








Ha a hálózati csatlakozóvezeték megsérült, akkor azt ügyfélszolgálati hely által kell kicseréltetni, mert ahhoz speciális szerszám szükséges.

Csak Milwaukee tartozékokat és Milwaukee pótalkatrészeket szabad használni. Az olyan elemeket, melyek cseréje nincs ismertetve, cseréltesse ki Milwaukee szervizzel (lásd Garancia/Ügyfélszolgálat címei kiadványt).

Igény esetén a készülékről robbantott rajz kérhető a géptípus és a teljesítménycímkeknél található hatjegyű szám megadásával az Ön bevásárlóközpontjánál, vagy közvetlenül a Techtronic Industries GmbH-től a Max-Eyth-Straße 10, 71364 Winnenden, Németország címen.

SZIMBÓLUMOK

	FIGYELEM! FIGYELMEZTETÉS! VESZÉLY!
	Karbantartás, javítás, tisztítás, stb. előtt az akkumulátort ki kell venni a készülékből.
	Kérjük alaposan olvassa el a tájékoztatót mielőtt a gépet használja.
	Hordjon védőkesztyűt!
	Hallásvédő eszköz használata ajánlott!

	Munkavégzés közben ajánlatos védőszemüveget viselni.
	Vigyázat – Forró felületek!
	A típus tábla szerint garantált zajteljesítményszint 99 dB.
	Az elektromos eszközöket, elemeket/akkukat nem szabad a háztartási hulladékkal együtt ártalmatlanítani. Az elektromos eszközöket és akkukat szelektíven kell gyűjteni, és azokat környezetbarát ártalmatlanítás céljából hulladékhasznosító üzemben kell leadni. A helyi hatóságoknál vagy szakkereskedőjénél tájékozódjon a hulladékudvarokról és gyűjtőhelyekről.
	Európai megfelelési jelölés
	Regulatory Compliance Mark (RCM). A termék teljesíti az érvényben lévő előírásokat.
	Ukrán megfelelési jelölés
	Eurázsiai megfelelési jelölés

CE-AZONOSSÁGI NYILATKOZAT

Egyedüli felelősséggel kijelentjük, hogy a "Műszaki Adatok" alatt leírt termék a 2011/65/EU (RoHS), 2014/30/EU, 2006/42/EK irányelvek minden releváns előírásának, ill. az alábbi harmonizált normatív dokumentumoknak megfelel:

EN 60745-1 :2009+A11:2010
EN 60745-2-6:2010
EN 55014-1:2017
EN 55014-2:2015
EN 61000-3-2:2014
EN 61000-3-3:2013
EN IEC 63000:2018

Mért hangteljesítményszint 96 dB(A)

Szavatolt hangteljesítményszint 99 dB(A)
K bizonytalanság 3 dB(A)

A megfelelés értékelésére irányuló eljárások a 2000/14/EK VI. melléklet szerint.

Megjelölt intézet:
DEKRA Certification B.V. (0344)
Meander 1051/P.O.Box 5185
6825 MS ARNHEIM/6802 ED ARNHEIM
Netherlands

Winnenden, 2019-03-03



Alexander Krug
Managing Director



Műszaki dokumentáció összeállításra felhatalmazva

Technic Industries GmbH
Max-Eyth-Straße 10
71364 Winnenden
Germany

TEHNIČNI PODATKI

PNEVMATSKO DLETO

K 1000 S (220-240 V)

Proizvodna številka.....	4555 01 01... ...000001-999999
Nazivna sprejemna moč.....	1750 W
Oddajna zmogljivost.....	900 W
bremensko število udarcev maks.....	1400-1950 min ⁻¹
Jakost posameznega udarca v skladu z EPTA-Procedure 05/2009.....	26 J
Sprejem orodja.....	SDS-MAX
Teža po EPTA-proceduri 01/2014.....	13,0 kg

Informacije o hrupnosti

Vrednosti merjenja ugotovljene ustrezno z EN 60 745.

Raven hrupnosti naprave ovrednotena z A, znaša tipično:

Nivo zvočnega tlaka (Nevarnost K=3dB(A)).....85 dB (A)

Višina zvočnega tlaka (Nevarnost K=3dB(A)).....96 dB (A)

Nosite zaščito za sluh!

Informacije o vibracijah

Skupna vibracijska vrednost (Vektorska vsota treh smeri)

določena ustrezno EN 60745:

Klesanje

Vibracijska vrednost emisij a_h.....6,7 m/s²

Nevarnost K=.....2 m/s²

OPOZORILO!

V teh navodilih navedena raven tresljajev je bila izmerjena po EN60745 normiranem merilnem postopku in lahko služi medsebojni primerjavi električnih orodij. Prav tako je primeren za predhodno oceno obremenitve s tresljaji.

Navedena raven tresljajev navaja najpomembnejše vrste rabe električnega orodja. Kadar se električno orodje uporablja za drugačne namene, z odstopajočimi orodji ali pa z nezadostnim vzdrževanjem, lahko raven tresljajev tudi odstopa. Le to lahko čez celoten delovni čas znatno zviša obremenitev s tresenjem.

Za natančno oceno obremenitve s tresljaji naj bi se upošteval tudi čas v katerem je naprava izklopljena ali sicer teče, vendar dejansko ni v rabi. Le to lahko obremenitev s tresljaji čez celoten delovni čas znatno zmanjša.

Za zaščito upravljalca pred učinkom tresljajev uvedite dodatne zaščitne ukrepe npr.: Vzdrževanje električnega orodja in orodja, delo s toplimi rokami, organizacija delovnih potekov.

⚠ OPOZORILO! Preberite vsa varnostna opozorila in navodila, prikaže in specifikacije tega električnega orodja. Zakasnelo upoštevanje sledečih navodil lahko povzroči električni udar, požar in/ali težke poškodbe.

Vsa opozorila in napotila shranite, ker jih boste v prihodnje še potrebovali.

⚠ VARNOSTNA NAVODILA ZA PNEVMATSKO DLETO

Nosite zaščito za sluh. Razvijanje hrupa lahko povzroči izgubo sluha.

Kadar izvajate dela pri katerih lahko orodje zadane prikrito električno napeljavo, je napravo potrebno držati za izolirane prijemalne površine. Stik rezalnega orodja z napetostnim vodnikom napeljave lahko privede kovinske dele naprave pod napetost in vodi do električnega udara.

Uporabite dodatne ročaje, ki so dobavljeni skupaj z napravo. Izguba kontrole lahko povzroči poškodbe.

NADALJNA VARNOSTNA IN DELOVNA OPOZORILA

Uporabite zaščitno opremo. Pri delu s strojem vedno nosite zaščitna očala. Priporočajo se zaščitka oblačila, kot npr. maska za zaščito proti prahu, zaščitne rokavice, trdno in nedrseče obuvanje, čelada in zaščita za sluh.

Prah, ki nastaja pri delu, je pogosto zdravju škodljiv in naj ne zaide v telo. Nosite ustrezno masko proti prahu.

Obdelava materialov, iz katerih izhaja ogroženost zdravja (npr. azbest), ni dovoljena.

V primeru blokade orodja napravo takoj izklopite! Naprave ponovno ne vklopljajte dokler je orodje blokirano; pri tem bi lahko prišlo do povratnega udara z velikim reakcijskim momentom. Ugotovite in odpravite vzroke blokade orodja ob upoštevanju varnostnih navodil.

Možni razlogi so lahko:

- Zagozditve v obdelovancu
- prežganje obdelovanega materiala
- Preobremenitev električnega orodja

Ne segajte v stroj v teku.

Orodje lahko med uporabo postane vroče.

OPOZORILO! Nevarnost opeklin

- pri menjavi orodja
- pri odlaganju naprave

Vedno pazite, da se priključni kabel ne približa področju delovanja stroja. Kabel vedno vodite za strojem.

Pri delih na steni, stropu ali v tleh pazite na električne kable, plinske in vodne napeljave.

Pred vsemi deli na stroju izvlecite vtičnik iz vtičnice.

Pri delu se postavite v stabilen položaj in vedno držite napravo z obema rokama na dveh ročajih. Na delovnem področju se ne smejo zadrževati nobene druge osebe – predvsem nobeni otroci – ali živali.

V času delovanja naprave nikoli ne usmerjajte proti ljudem. Vstavljivo orodje lahko izskoči in povzroči hude poškodbe.

Pazite, da z materiali, ki letijo oz. padajo, ne ogrozite ljudi. Vedno delajte zelo previdno in premišljeno.

Napravo polagajte previdno. Napravo ne mečite na tla oz. iz velike višine. Metanje naprave lahko poškoduje ljudi v bližini oz. se ta pokvari.

UPORABA V SKLADU Z NAMEMBOSTJO

Klesarsko kladivo je primerno za klesanje v kamnu in betonu.

Ta naprava se sme uporabiti samo v skladu z namembnostjo uporabiti samo za navede namene.

OMREŽNI PRIKLJUČEK

Vtičnice v zunanjem področju morajo biti opremljene z zaščitnimi stikali za okvarni tok (FI, RCD, PRCD). To zahteva instalacijski predpis za vašo električno napravo. Prosimo, da to pri uporabi naše naprave upoštevate.

Priključite samo na enofazni izmenični tok in samo na omrežno napetost, ki je označena na tipski ploščici. Priključitev je možna tudi na vtičnice brez zaščitnega kontakta, ker obstaja nadgradnja zaščitnega razreda.

Napravo priključite na vtičnico samo v izklopljenem stanju.

Naprava je pripravljena za profesionalno uporabo. Naprava lahko po priključitvi na javno nizko napetostno omrežje neznatno prekorači orientacijsko vrednost zgornje vrednosti električnega toka. Zaradi tega se pred priključitvijo naprave posvetujte z odgovorno osebo vašega distributerja električne energije.

ZAŠČITA PRED PONOVNIM ZAGONOM

Stikalo z ničelno napetostjo preprečuje ponovni zagon stroja po izpadu električnega toka. Pri ponovnem začetku dela stroj izklopite in ponovno vklopite.

TRANSPORT, ROKOVANJE, SKLADIŠČENJE

Stroj je težak. V primeru padca stroja obstaja nevarnost hudih poškodb.

Stroj nima dvizhne ali pritrdilne točke.

Stroj dvignite s pomočjo dodatnega ročaja ter ga postavite na ustrezno transportno sredstvo.

Ob dvigovanju, transportiranju in skladiščenju stroj zaščitite pred prevrnitvijo, padcem in zdrsom.

Preden stroj skladiščite, ga pustite, da se ohladi.

Stroj hranite v čistem in suhem prostoru, ki je zaščiten pred zamrzovanjem in je nedostopen otrokom.

ZAMENJAVA ORODJA

Za zamenjavo vstavljivega orodja glej poglavje z ilustracijami.

Vstavljivo orodje mora biti primerno za držalo orodja.

Držaj orodja mora biti nepoškodovan.

Vstavljivo orodje mora biti dovolj ostro, da se prepreči odbijanje.

Vstavljivo orodje mora biti primerno za predvideno uporabo.

Po vstavitvi orodja preverite, ali je pravilno zaklenjeno.

VZDRŽEVANJE

Pazite na to, da so prezračevalne reže stroja vedno čiste.

Pri obrabljenih oglenih krtačkah naj se dodatno z zamenjavo oglenih krtačk izvede servisno vzdrževanje v delavnici servisne službe. To podaljša življenjsko dobo stroja in zagotavlja stalno pripravljenost za obratovanje.

V kolikor je priključni omrežni vodnik poškodovan, ga je potrebno s strani servisne službe nadomestiti, ker je za ta namen potrebno posebno orodje.

Uporabljajte samo Milwaukee pribor in Milwaukee nadomestne dele. Poskrbite, da sestavne dele, katerih zamenjava ni opisana, zamenjajo v Milwaukee servisni službi (upoštevajte brošuro Garancija aslovi servisnih služb).

Po potrebi je mogoče pri vašem servisnem mestu ali neposredno pri Techtronic Industries GmbH, Max-Eyth-Straße 10, 71364 Winnenden, Germany, naročiti eksplozijsko risbo naprave ob navedbi tipa stroja in na tablici navedene šestmestne številke.

SIMBOLI

	POZOR! OPOZORILO! NEVARNO!
	Pred vsemi deli na stroji odstranite izmenljivi akumulator.
	Prosimo, da pred uporabo pozorno preberete to navodilo za uporabo.
	Nositi zaščitne rokavice
	Nosite zaščito za sluh!
	Pri delu s strojem vedno nosite zaščitna očala.
	Pozor – vroče površine!
	V skladu s tipsko tablico zajamčena raven zvočne jakosti znaša 99 dB.
	Električnih naprav, baterij/akumulatorjev ni dovoljeno odstranjevati skupaj z gospodinjskimi odpadki. Električne naprave in akumulatorje je potrebno zbirati ločeno in za okolju prijazno odstranitev, oddati podjetju za reciklažo. Pri krajevnem uradu ali vašem strokovnem prodajalcu se pozanimajte glede reciklažnih dvorišč in zbirnih mest.

	Evropska oznaka za združljivost
	Regulatory Compliance Mark (RCM). Proizvod izpolnjuje veljavne predpise.
	Ukrajinska oznaka za združljivost
	Evrazijska oznaka za združljivost

CE-IZJAVA O KONFORMNOSTI

V lastni odgovornosti izjavljamo, da se pod "Tehnični podatki" opisan proizvod ujema z vsemi relevantnimi predpisi smernice 2011/65/EU (RoHS), 2014/30/EU, 2006/42/ES in s sledečimi harmoniziranimi normativnimi dokumenti:

EN 60745-1 :2009+A11:2010
EN 60745-2-6:2010
EN 55014-1:2017
EN 55014-2:2015
EN 61000-3-2:2014
EN 61000-3-3:2013
EN IEC 63000:2018

Izmerjena višina zvočnega tlaka 96 dB(A)

Garantirana višina zvočnega tlaka 99 dB(A)
Nevarnost K= 3 dB(A)

Postopek ocene skladnosti ustrežno 2000/14/ES dodatek VI.

Navedeno mesto:
DEKRA Certification B.V. (0344)
Meander 1051/P.O.Box 5185
6825 MS ARNHEIM/6802 ED ARNHEIM
Netherlands

Winnenden, 2019-03-03



Alexander Krug
Managing Director



Pooblaščen za izdelavo spisov tehnične dokumentacije.

Techtronic Industries GmbH
Max-Eyth-Straße 10
71364 Winnenden
Germany

TEHNIČKI PODATCI UDARNI ČEKIĆI K 1000 S (220-240 V)

Broj proizvodnje.....	4555 01 01... ...000001-999999
Snaga nominalnog prijema.....	1750 W
Predajni učinak.....	900 W
Maksimalan broj udaraca pod opterećenjem.....	1400-1950 min ⁻¹
Jačina pojedinačnih udaraca prema EPTA-Procedure 05/2009	26 J
Priključivanje alata.....	SDS-MAX
Težina po EPTA-proceduri 01/2014	13,0 kg

Informacije o buci

Mjerne vrijednosti utvrđene odgovarajuće EN 60 745.

A-ocijenjeni nivo buke aparata iznosi tipično:

Nivo pritiska zvuka (Nesigurnost K=3dB(A)) 85 dB (A)

Nivo učinka zvuka (Nesigurnost K=3dB(A)) 96 dB (A)

Nositi zaštitu sluha!

Informacije o vibracijama

Ukupne vrijednosti vibracije (Vektor suma tri smjera) su

odmjerene odgovarajuće EN 60745:

Klesanje

Vrijednost emisije vibracije a_h 6,7 m/s²

Nesigurnost K= 2 m/s²

UPOZORENIE!

Ova u ovim uputama navedena razina titranja je bila izmjerena odgovarajuće jednom u EN 60745 normiranom mjernom postupku i može se upotrijebiti za usporedbu električnog alata međusobno. Ona je prikladna i za privremenu procjenu titrajnog opterećenja.

Navedena razina titranja reprezentira glavne primjene električnog alata. Ukoliko se električni alat upotrebljava u druge svrhe sa odstupajućim primijenjenim alatima ili nedovoljnim održavanjem, onda razina titranja može odstupati. To može titrajno opterećenje kroz cijeli period rada bitno povisiti.

Za točnu procjenu titrajnog opterećenja se moraju uzeti u obzir i vremena u kojima je uređaj isključen ili u kojima doduše radi, ali nije i stvarno u upotrebi. To može titrajno opterećenje bitno smanjiti za vrijeme cijelog radnog perioda.

Utvrđite dodatne sigurnosne mjere za zaštitu poslužioca protiv djelovanja titranja kao npr.: Održavanje električnih alata i upotrebljenih alata, održavanje topline ruku, organizacija i radne postupke.

UPOZORENIE! Treba pročitati sve napomene o sigurnosti, upute, prikaze i specifikacije za ovaj električni alat. Propusti kod pridržavanja sljedećih uputa može uzrokovati strujni udar, požar i/ili teške ozljede.

Sačuvajte sve napomene o sigurnosti i upute za buduću primjenu.

SIGURNOSNE UPUTE ZA UDARNE ČEKIĆE

Nosite zaštitu za sluh. Djelovanje buke može dovesti do gubitka sluha.

Držite spravu na izoliranim držačkim površinama kada izvodite radove kod kojih rezački alat može pogoditi skrivene vodove struje. Kontakt rezačkog alata sa vodovima koji sprovode napon može metalne dijelove sprave dovesti pod napon i tako dovesti do električnog udara.

Koristite dodatne drške koje su isporučene sa aparatom. Gubitak kontrole može prouzročiti povrede.

OSTALE SIGURNOSNE I RADNE UPUTE

Upotrebljavati zaštitnu opremu. Kod radova sa strojem uvijek nositi zaštitne naočale. Preporučuje se zaštitna odjeća, kao zaštitna maska protiv prašine, zaštitne rukavice, čvrste i protiv klizanja sigurne cipele, šljem i zaštitu sluha.

Prašina koja nastaje prilikom rada je često nezdrava i ne bi smijela dospjeti u tijelo. Nositi prikladnu zaštitnu masku protiv prašine.

Ne smiju se obrađivati nikakvi materijali, od kojih prijete opasnost po zdravlje (npr. azbest).

Kod blokiranja alata koji se upotrebljava uređaj molimo odmah isključiti! Uređaj nemojte ponovno uključiti za vrijeme dok je alat koji se upotrebljava blokiran; time može doći do povratnog udara sa visokim reakcijskim momentom. Pronađite i otklonite uzrok blokiranja alata koji se upotrebljava uz poštivanje sigurnosnih uputa.

Mogući uzroci tome mogu biti:

- Izobličavanje u izratku koji se obrađuje
- Probijanje materijala koji se obrađuje
- Preopterećenje električnog alata

Nemojte sezati u stroj koji radi.

Upotrebljeni alat se može za vrijeme korištenja zagrijati.

UPOZORENIE! Opasnost od opekotina

- kod promjene alata
- kod odlaganja uređaja

Priključni kabel uvijek držati udaljenim sa područja djelovanja. Kabel uvijek voditi od stroja prema nazad.

Kod radova na zidu, stropu ili podu paziti na električne kablove kao i vodove plina i vode.

Prije radova na stroju izvući utikač iz utičnice.

Prilikom rada zauzeti siguran položaj i aparat držati uvijek obim rukama na dvije drške. Na radnom području se ne smiju zadržavati osobe - prije svega mala djeca - ili životinje.

Stroj za vrijeme rada ne uperiti na prisutne osobe. Radni alat bi mogao iskočiti i prouzročiti teške ozljede.

Obratite pažnju na to, da kroz odbačene ili padajuće materijale ne budu ugrožene osobe. Radite uvijek vrlo pažljivo i obazrivo.

Uređaj odložite pažljivo. Uređaj nemojte bacati na pod ili bacati sa većih visina. Kod bacanja uređaj bi mogao ozlijediti druge osobe ili biti sam oštećen.

PROPISNA UPOTREBA

Čekić je upotrebljiv za klesanje u kamenju i betonu.

Ovaj aparat se smije upotrijebiti samo u određene svrhe kao što je navedeno.

PRIKLJUČAK NA MREŽU

Utičnice na vanjskom području moraju biti opremljene zaštitnim prekidačima za pogrešnu struju (FI, RCD, PRCD). To zahtjeva instalacijski propis za električne uređaje. Molimo da ovo poštujete prilikom upotrebe našeg aparata.

Priključiti samo na jednofaznu naizmjeničnu struju i samo na napon struje, naveden na pločici snage. Priključak je moguć i na utičnice bez zaštitnog kontakta, jer postoji dogradnja zaštitne klase II.

Uređaj priključiti na utičnicu samo kada je isključen.

Uređaj je podešen za profesionalnu upotrebu. Prilikom priključivanja na javnu električnu mrežu niskog napona, uređaj može neznatno prekoračiti orijentacijsku vrijednost gornjih valova električnog toka. Iz toga razloga prije priključivanja kontaktirajte Vašeg pristojnog dobavljača električne energije.

ZAŠTITA PROTIV PONOVOG POKRETANJA

Prekidač nultog napona sprječava ponovan start stroja nakon nestanka struje. Kod ponovnog početka rada stroj isključiti i opet uključiti.

TRANSPORT, RUKOVANJE, SKLADIŠTENJE

Stroj je težak. Postoji opasnost od teških ozljeda ako stroj pada dolje.

Stroj nema nikave dizačke ili fiksne točke.

Stroj podignuti na dodatnom dršku i postaviti na jedno prikladno transportno sredstvo.

Stroj kod dizanja, transporta i skladištenja osigurati protiv prevrtanja, padanja ili pomjeranja.

Stroj prije skladištenja uvijek najprije pustiti da se ohladi.

Stroj skladištiti na jednom zaključanom, čistom, protiv mraza zaštićenom i suhom mjestu, koje nije dostupno za djecu.

PROMJENA ALATA

Promjena ugradnog alata, vidi slikovni dio.

Ugradni alat mora biti prikladan za primanje alata.

Držak ugradnog alata mora biti neoštećeno.

Ugradni alat mora biti dovoljno oštar, kako bi se izbjegli odskočni udari.

Radni alat mora biti prikladan za planiranu radnu svrhu.

Nakon ugradnje ugradnog alata provjeriti, da li je ovaj pravilno zakračunan.

ODRŽAVANJE

Preoreze za prozračivanje stroja uvijek držati čistima.

Kod istrošenih ugljenih četkica bi se uz zamjenu ugljenih četkica trebao dodatno sprovesti servis u nekoj servisnoj radionici. To povećava vijek trajanja stroja i jamči stalnu spremnost pogona.

Ako je mrežni priključni vod oštećen, mora se od strane servisa zamijeniti, zato što je za to potreban specijalan alat.

Primijeniti samo Milwaukee opremu i Milwaukee rezervne dijelove. Sastavne dijelove, čija zamjena nije opisana, dati zamijeniti kod jedne od Milwaukee servisnih službi (poštivati brošuru Garancija/Adrese servisa).

Po potrebi se crtež pojedinih dijelova aparata uz navođenje podatka o tipu stroja i šestznamenastog broja na pločici snage može zatražiti kod vašeg servisa ili direktno kod Techtronic Industries GmbH, Max-Eyth-Straße 10, 71364 Winnenden, Njemačka.

SIMBOLI

	PAŽNJA! UPOZORENIE! OPASNOST!
	Prije svih radova na stroju izvaditi bateriju za zamjenu.
	Molimo da pažljivo pročitate uputu o upotrebi prije puštanja u rad.
	Nositi zaštitne rukavice!
	Nositi zaštitu sluha!
	Kod radova na stroju uvijek nositi zaštitne naočale.
	Oprez – vruće površine!
	Prema tipskoj pločici garantirana razina buke iznosi 99 dB.



Elektrouređaji, baterije/akumulatori se ne smiju zbrinjavati skupa sa kućnim smećem. Električni uređaji akumulatori se moraju skupljati odvojeno i predati na zbrinjavanje primjereno okolišu jednom od pogona za iskorišćavanje. Raspitajte se kod mjesnih vlasti ili kod stručnog trgovca u svezi gospodarstva za recikliranje i mjesta skupljanja.



Europski znak suglasnosti



Regulatory Compliance Mark (RCM). Proizvod ispunjava valjane propise.



Ukrajinski znak suglasnosti



Euroazijski znak suglasnosti

CE-IZJAVA KONFORMNOSTI

Izjavljujemo na osobnu odgovornost, da je proizvod opisan pod "Tehnički podaci", sukladan sa svim relevantnim propisima smjernice 2011/65/EU (RoHS), 2014/30/EU, 2006/42/EC i sa slijedećim harmoniziranim normativnim dokumentima:

EN 60745-1 :2009+A11:2010
EN 60745-2-6:2010
EN 55014-1:2017
EN 55014-2:2015
EN 61000-3-2:2014
EN 61000-3-3:2013
EN IEC 63000:2018

Izmjereni nivo učinka zvuka 96 dB(A)

Garantirani nivo učinka zvuka 99 dB(A)
Nesigurnost K= 3 dB(A)

Postupak ocjene suglasnosti po 2000/14/EG dodatak VI.

Nazvano mjesto:
DEKRA Certification B.V. (0344)
Meander 1051/P.O.Box 5185
6825 MS ARNHEIM/6802 ED ARNHEIM
Netherlands

Winnenden, 2019-03-03

Alexander Krug
Managing Director



Ovlašten za formiranje tehničke dokumentacije.

Techtronic Industries GmbH
Max-Eyth-Straße 10
71364 Winnenden
Germany

TEHNIŠKIE DATI

CIRTŅVEIDA ĀMURS

K 1000 S (220-240 V)

Izlaides numurs	4555 01 01...
	...000001-999999
Nominālā atdotā jauda.....	1750 W
Cietkoks.....	900 W
maks. sitienu biežums ar slodzi.....	1400-1950 min ⁻¹
Atsevišķo triecienu enerģija atbilstoši EPTA-Procedure 05/2009	26 J
Instrumentu stiprinājums	SDS-MAX
Svars atbilstoši EPTA -Procedure 01/2014	13,0 kg

Trokšņu informācija

Vērtības, kas noteiktas saskaņā ar EN 60 745.

A novērtētās aparatūras skaņas līmenis ir:

Trokšņa spiediena līmenis (Nedrošība K=3dB(A)).....85 dB (A)

Trokšņa jaudas līmenis (Nedrošība K=3dB(A)).....96 dB (A)

Nēsāt trokšņa slāpētāju!

Vibrāciju informācija

Svārstību kopējā vērtība (Trīs virzienu vektoru summa) tiek

noteikta atbilstoši EN 60745:

Skaldīšana

Svārstību emisijas vērtība a_w.....6,7 m/s²

Nedrošība K=.....2 m/s²

UZMANĪBU!

Instrukcijā norādītā svārstību robežvērtība ir izmērīta mērījumu procesā, kas veikts atbilstoši standartam EN 60745, un to var izmantot elektroinstrumentu savstarpējai salīdzināšanai. Tā ir piemērota arī svārstību noslogojuma pagaidu izvērtēšanai.

Norādītā svārstību robežvērtība ir reprezentatīva elektroinstrumenta pamata pielietojuma jomām. Tomēr, ja elektroinstrumenti tiek pielietoti citās jomās, papildus izmantojot neatbilstošus elektroinstrumentus vai pēc nepietiekamas tehniskās apkopes, tad svārstību robežvērtība var atšķirties. Tas var ievērojami palielināt svārstību noslogojumu visa darba laikā.

Precīzai svārstību noslogojuma noteikšanai, ir jāņem vērā arī laiks, kad ierīces ir izslēgta vai arī ir ieslēgta, tomēr faktiski netiek lietota. Tas var ievērojami samazināt svārstību noslogojumu visa darba laikā.

Integrējiet papildus drošības pasākumus pret svārstību ietekmi lietotājam, piemēram: elektroinstrumentu un darba instrumentu tehniskā apkope, roku siltuma uzturēšana, darba procesu organizācija.

⚠ BRĪDINĀJUMS Izlasiet visus šim elektroinstrumentam pievienotos drošības brīdinājumus, instrukcijas, ilustrācijas un specifikācijas. Nespēja ievērot visas zemāk uzskaitītās instrukcijas var novest pie elektrošoka, ugunsgrēka un/vai smagiem savainojumiem.

Pēc izlasīšanas uzglabājiet šos noteikumus turpmākai izmantošanai.

⚠ DROŠĪBAS NORĀDES CIRTŅVEIDA ĀMURIEM

Nēsājiet ausu aizsargus. Trokšņa iedarbības rezultātā var rasties dzirdes traucējumi.

Leģi turiet aiz izolētiem rokturiem, ja veicat darbus, kuros griešanas darbiem izmantojamais instruments var skart paslēptus elektrovadus. Šī instrumenta saskare ar strāvu vadošiem kabeļiem var radīt spriegumu arī ierīces metālisķāvēs daļās un var izraisīt elektrisko triecienu.

Lietojiet instrumentam pievienotos papildus rokturus. Zaudējot kontroli, var gūt ievainojumus.

CITAS DROŠĪBAS UN DARBA INSTRUKCIJAS

Jāizmanto aizsargaprīkojums. Strādājot ar mašīnu, vienmēr jānēsā aizsargbrilles. Ieteicams nēsāt aizsargapģērbu, kā piemēram, aizsargmasku, aizsargcimdus, kurpes no stingra un neslīdīga materiāla, ķiveri un ausu aizsargus.

Putekļi, kas rodas darba gaitā, bieži ir kaitīgi veselībai un tiem nevajadzētu nokļūt organismā. Jānēsā piemērota maska, kas pasargā no putekļiem.

Nedrīkst apstrādāt materiālus, kas rada draudus veselībai (piemēram, azbestu).

Ja izmantojamais darba rīks tiek bloķēts, nekavējoties izslēgt ierīci! Neieslēdziet ierīci, kamēr izmantojamais darba rīks ir bloķēts; var rasties atsitieni ar augstu griezes momentu. Noskaidrojiet un novērsiet izmantojamā darba rīka bloķēšanas iemeslu, ievērojot visas drošības norādes.

Iespējamie iemesli:

- iesprūdis apstrādājamajam materiālam
- apstrādājamais materiāls ir caursists
- elektroinstrumenti ir pārslogoti

Leslēgtai ierīcei nepieskarties.

Izmantojamais darba rīks darba gaitā var stipri sakarst.

UZMANĪBU! Bīstamība apdedzināties

- veicot darba rīka nomaiņu
- noliekot iekārtu

Pievienojuma kabeli vienmēr turēt atstātus no mašīnas darbības lauka. Kabelim vienmēr jāatrodas aiz mašīnas.

Veicot darbus sienu, griestu un grīdas apvidū, vajag uzmanīties, lai nesabojātu elektriskos, gāzes un ūdens vadus.

Pirms jebkādiem darbiem, kas attiecas uz mašīnas apkopi, mašīnu noteikti vajag atvienot no kontaktlīdzdas.

Strādājot ieņemiet drošu pozīciju un turiet instrumentu ar abām rokām un aiz abiem rokturiem. Darba vietā nedrīkst uzturēties citas personas - it īpaši bērni - kā arī dzīvnieki.

Ekspluatācijas laikā nevērsiet iekārtu uz apkārt esošajām personām. Ievietotais darbarīks var atbrīvoties un radīt smagas traumas.

Pievērsiet uzmanību tam, lai cilvēkus neapdraudētu prom aizsviesti vai krītoši materiāli. Vienmēr strādājiet ļoti uzmanīgi un novērtējiet situāciju.

Ierīci novietojiet rūpīgi. Nemetiet ierīci uz grīdas vai no lielākiem augstumiem. Nometot ierīci, tā var ievainot citas personas vai sabojāties pati.

NOTEIKUMIEM ATBILSTOŠS IZMANTOJUMS

Āmurs ir izmantojams akmens un betona skaldīšanai.

Šo instrumentu drīkst izmantot tikai saskaņā ar minētajiem lietošanas noteikumiem.

TĪKLA PIESLĒGUMS

Kontaktlīdzdām, kas atrodas ārpus telpām jābūt aprīkotām ar automātiskiem drošinātājslēdzīem, kas nostrādā, ja strāvas plūsmā radušies (FI, RCD, PRCD) bojājumi. To pieprasa Jūsu elektroiekārtas instalācijas noteikumi. Lūdzu, to ņemt vērā, izmantojot mūsu instrumentus.

Pieslēgt tikai vienfāza maiņstrāvas tīklam un tikai spriegumam, kas norādīts uz jaudas paneļa. Pieslēgums iespējams arī kontaktlīdzdām bez aizsargkontaktiem, jo rona ir par uzbūvi, kas atbilst II. aizsargklasei.

Instrumentu pieslēgt kontaktlīdzdai tikai izslēgtā stāvoklī.

Iekārta ir paredzēta profesionālajai lietošanai. Pieslēdzot iekārtu pie parastā zema sprieguma tīkla, var tikt negatīvi ietekmēta zema sprieguma tīkla darbība. Pirms pieslēgt iekārtu pie zema sprieguma tīkla lūdz sazināties ar vietējo elektroenerģijas piegādātāju.

AIZSARDZĪBA PRET ATKĀRTOTU PALAIŠANU

Nullsecības spriegums novērš mašīnas atkārtotu iedarbošanos pēc strāvas plūsmas pārtraukuma. Lai atsāktu darbu, mašīnu vajag izslēgt un vēlreiz ieslēgt.

TRANSPORTS, DARBA METODES, UZGLABĀŠANA

Iekārta ir smaga. Pastāv smags savainošanās risks, ja iekārta nokrīt.

Iekārtai nav pacelšanas vai savilkšanas punkti.

Paceliet iekārtu aiz papildu roktura un ievietojiet piemērotā transportēšanas līdzekli.

Paceļot, transportējot un uzglabājot iekārtu, nodrošiniet to pret sagāšanos, nokrišanu vai aizslīdēšanu.

Pirms ierīces nolikšanas glabāšanai vienmēr ļaujiet tai atdzist.

Glabājiet iekārtu noslēgtā, tīrā, pret salu aizsargātā un sausā vietā, kas nav pieejama bērniem.

DARBARĪKA MAIŅA

Darbarīka maiņu skatīt attēlā.

Izmantotajam darbarīkam ir jābūt piemērotam darbarīka satveršanas vienībai.

Izmantotā darbarīka kāts nedrīkst būt bojāts.

Izmantotajam darbarīkam ir jābūt pietiekami asam, lai novērstu sītienu ar atsitieni.

Izmantotajam darbarīkam ir jābūt piemērotam plānotajam izmantošanas mērķim.

Pēc izmantotā darbarīka ievietošanas pārbaudiet, vai tas ir nofiksēts atbilstīgi noteikumiem.

APKOPE

Vajag vienmēr uzmanīt, lai būtu tīras dzesēšanas atveres.

Ja ir nolietojušās elektromotora ogļītes, papildus to nomainīti būtu jāveic instrumenta apskate sevis darbnīcā. Tas pagarinās mašīnas kalpošanas ilgumu un garantēs tās pastāvīgu darbību.

Ja ir bojāts tīkla pieslēguma vads, tad tā apmaiņa jānodrošina klientu apkalpošanas servisam, kuram ir nepieciešamie speciālie darba rīki.

Izmantojiet tikai firmu Milwaukee piederumus un firmas Milwaukee rezerves daļas. Lieciet nomainīt detaļas, kuru nomainīta nav aprakstīta, kādā no firmu Milwaukee klientu apkalpošanas servisiem. (Skat. brošūru "Garantija/klientu apkalpošanas serviss".)

Pēc pieprasījuma, Jūsu Klientu apkalpošanas centrā vai pie Technotronic Industries GmbH, Max-Eyth-Straße 10, 71364 Winnenden, Vācijā, ir iespējams saņemt iekārtas montāžas rasējumu, iepriekš norādot iekārtas modeli un sērijas numuru, kas atrodas uz datu plāksnītes un sastāv no sešiem simboliem.

SIMBOLI

	UZMANĪBU! BĪSTAMI!
	Pirms mašīnai veikt jebkāda veida apkopes darbus, ir jāizņem arī akumulātors.
	Pirms sākt lietot instrumentu, lūdz, izlasiet lietošanas pamācību.
	Jāvalkā aizsargcimdi!
	Nēsāt trokšņa slāpētāju!
	Strādājot ar mašīnu, vienmēr jānēsā aizsargbrilles.
	Uzmanību – karstas virsmas!

	Saskaņā ar marķējumu garantētais trokšņa līmenis sasniedz 99 dB.
	Elektriskus aparātus, baterijas/akumulatorus nedrīkst utilizēt kopā ar mājāsaimniecības atkritumiem. Elektriski aparāti un akumulatori ir jāsavāc atsevišķi un jānodod atkritumu pārstrādes uzņēmumā videi saudzīgai utilizācijai. Jautājiet vietējā iestādē vai savam specializētajam tirgotājam, kur atrodas atkritumu pārstrādes uzņēmumi vai savākšanas punkti.
	Eiropas atbilstības zīme
	Regulatory Compliance Mark (RCM). Produkts atbilst spēkā esošajiem noteikumiem.
	Ukrainas atbilstības zīme
	Eirāzijas atbilstības zīme

ATBILSTĪBA CE NORMĀM

Mēs apliecinām, ka produkts, kura tehniskie parametri aprakstīti "tehnisko datu lapā", pilnībā atbilst prasībām saskaņā ar direktīvām 2011/65/EU (RoHS), 2014/30/ES, 2006/42/EK un attiecīgajiem harmonizētajiem normatīvajiem dokumentiem:

EN 60745-1 :2009+A11:2010
EN 60745-2-6:2010
EN 55014-1:2017
EN 55014-2:2015
EN 61000-3-2:2014
EN 61000-3-3:2013
EN IEC 63000:2018

Izmērītais trokšņa jaudas līmenis 96 dB(A)

Garantētais trokšņa jaudas līmenis 99 dB(A)
Nedrošība K= 3 dB(A)

Atbilstības novērtēšanas procedūra atbilstoši 2000/14/EK VI pielikumam.

Minētā vieta:
DEKRA Certification B.V. (0344)
Meander 1051/P.O.Box 5185
6825 MS ARNHEIM/6802 ED ARNHEIM
Netherlands

Winnenden, 2019-03-03



Alexander Krug
Managing Director



Pilnvarotais tehniskās dokumentācijas sastādīšanā.

Techtronic Industries GmbH
Max-Eyth-Straße 10
71364 Winnenden
Germany

Produkto numeris	4555 01 01...
.....	...000001-999999
Vardinė imamoji galia	1750 W
Išėjimo galia	900 W
Maks. smūgių skaičius su apkrova	1400-1950 min ⁻¹
Smūgio energija pagal „EPTA-Procedure 05/2009“	26 J
Įrankių griebtuvai	SDS-MAX
Prietaiso svoris įvertintas pagal EPTA 01/2014 tyrimų metodiką	13,0 kg

Informacija apie keliamą triukšmą

Vertės matuotos pagal EN 60 745.

Įvertintas A įrenginio keliamo triukšmo lygis dažniausiai sudaro:

Garso slėgio lygis (Paklaida K=3dB(A))	85 dB (A)
Garso galios lygis (Paklaida K=3dB(A))	96 dB (A)

Nešioti klausos apsaugines priemones!**Informacija apie vibraciją**

Bendroji svyravimų reikšmė (trijų krypčių vektorių suma), nustatyta remiantis EN 60745:

Atskėlimas

Vibravimų emisijos reikšmė a_h	6,7 m/s ²
Paklaida K=	2 m/s ²

DĖMESIO!

Instrukcijoje nurodyta svyravimų ribinė vertė yra išmatuota remiantis standartu EN 60745; ji gali būti naudojama keliems elektriniams instrumentams palyginti. Ji taikoma ir laikinai įvertinti svyravimų apkrovą.

Nurodyta svyravimų ribinė vertė yra taikoma pagrindinėse elektrinio instrumento naudojimo srityse. Svyravimų ribinė vertė gali skirtis naudojant elektrinį instrumentą kitose srityse, papildomai naudojant netinkamus elektrinius instrumentus arba juos nepakankamai techniškai prižiūrint. Dėl to viso darbo metu gali žymiai padidėti svyravimų apkrova.

Siekiant tiksliai nustatyti svyravimų apkrovą, būtina atsižvelgti ir į laikotarpį, kai įrenginys yra išjungtas arba įjungtas, tačiau faktiškai nenaudojamas. Dėl to viso darbo metu gali žymiai sumažėti svyravimų apkrova.

Siekiant apsaugoti vartotojus nuo svyravimo įtakos naudojamos papildomos saugos priemonės, pavyzdžiui, elektrinių darbo instrumentų techninė priežiūra, rankų šilumos palaikymas, darbo procesų organizavimas.

⚠️ WARNING Perskaitykite visus saugumo įspėjimus, instrukcijas, peržiūrėkite iliustracijas ir specifikacijas, pateiktas kartu su šiuo įrankiu. Jei nepaisysite visų toliau pateiktų instrukcijų, gali trenkti elektros smūgis, kilti gaisras ir/arba galite sunkiai susižaloti arba sužaloti kitus asmenis.

Išsaugokite šias saugos nuorodas ir reikalavimus, kad ir ateityje galėtumėte jais pasinaudoti.**⚠️ SAUGOS REIKALAVIMAI ATSKĖLIMO PLAKTUKAMS**

Nešioti klausos apsaugos priemones. Triukšmo poveikyje galima netekti klausos.

Dirbdami laikykite prietaisą už izoliuotą vietą, kuriose plovimo įrenginys pats galėtų liesti paslėptus laidus. Plovimo įrenginio kontaktas su įtampos laidais gali įelektrinti metalines prietaiso dalis, o tai gali sukelti elektros iškravą.

Naudokite į prietaiso kompleksaciją įeinančias papildomas rankenas. Nesuvaldžius prietaiso galima susižeisti.

KITI SAUGUMO IR DARBO NURODYMAI

Dėvėkite apsaugines priemones. Dirbdami su mašina visada užsidėkite apsauginius akinius. Rekomenduotina dėvėti apsaugines priemones: apsaugos nuo dulkių respiratorius, apsaugines pirštines, kietus batus neslidžiais padais, šalimą ir klausos apsaugos priemones.

Darbo metu susidarančios dulkės yra dažnai kenksmingos sveikatai ir todėl turėtų nepatekti į organizmą. Dėvėti tinkamą apsauginę kaukę nuo dulkių.

Negalima apdirbti medžiagų, dėl kurių galimi sveikatos pažeidimai (pvz., asbesto).

Blokuojant įstatomąjį įrankį būtina išjungti prietaisą! Neįjunkite prietaiso, kol įstatomas įrankis yra užblokuotas; galimas grįžtamasis smūgis su dideliu sukimo momentu. Atsižvelgdami į saugumo nurodymus, nustatykite ir pašalinkite įstatomojo įrankio blokavimo priežastį.

Galimos priežastys:

- Susidariusios apdirbamo ruošinio briaunos
- Apdirbamos medžiagos pratrūkimas
- Elektros įrankio perkrova

Nekiškite rankų į veikiančią mašiną.

Naudojamas įstatomasis įrankis gali įkaisti.

DĖMESIO! Pavojus nusideginti

- keičiant įrankį
- padedant prietaisą

Maitinimo kabelis turi nebūti įrenginio poveikio srityje. Kabelį visada nuveskite iš galinės įrenginio pusės.

Dirbdami sienoje, lubose arba grindyse, atkreipkite dėmesį į elektros laidus, dujų ir vandens vamzdžius.

Prieš atlikdami bet kokius įrenginyje, ištraukite iš lizdo kištuką.

Dirbdami stovėkite tvirtai ir visada abiejomis rankomis laikykite prietaisą už dviejų rankenų. Darbo aplinkoje turi nebūti jokių kitų asmenų, - ypač vaikų, - ir gyvūnų.

Prietaisui esant įjungtam nenukreipkite jo į aplink stovinčius asmenis. Įstatomas antgalis gali iššokti ir sunkiai sužeisti.

Stebėkite, kad dėl išsviedžiamų arba krantinčių medžiagų nebūtų sužaloti žmonės. Visada dirbkite atidžiai ir atsižvelgdami į galimas pasekmes.

Prietaisą padėkite labai atsargiai. Nemeskite prietaiso ant grindų arba iš didesnio aukščio. Metant prietaisą žemyn jis gali sužeisti kitus žmones arba pats būti sugadintas.

NAUDOJIMAS PAGAL PASKIRTĮ

Atskėlimo plaktuką galima naudoti uolienų ir betono atskėlimui.

Šį prietaisą leidžiama naudoti tik pagal nurodytą paskirtį.

ELEKTROS TINKLO JUNGTI

Lauke esantys el. lizdai turi būti su gedimo srovės išjungikliais. Tai nurodyta Jūsų elektros įrenginio instaliacijos taisyklėse (FI, RCD, PRCD). Atsižvelkite į tai, naudodami prietaisą.

Jungti tik prie vienfazės kintamos elektros srovės ir tik į specifikacijų lentelėje nurodytos įtampos elektros tinklą. Konstrukcijos saugos klasė II, todėl galima jungti ir į lizdus be apsauginio kontakto.

Į elektros tinklą junkite tik išjungtą prietaisą.

Šis prietaisas skirtas profesionaliam naudojimui, todėl jungiamas prie viešojo žemos įtampos tinklo gali siekti tiek viršyti standartinį viršutinės srovės bangos dydį. Todėl reikalui esant, prieš jungdami prietaisą prie viešojo žemos įtampos tinklo, susisiekite su energiją tiekiančiąja įmone.

APSAUGA NUO PAKARTOTINIO ĮSIJUNGIMO

Nulinės įtampos jungiklis neleidžia vėl įsijungti įrenginiui po to, kai buvo nutrūkęs elektros energijos tiekimas. Kad galėtumėte dirbti toliau, įrenginį išjunkite ir įjunkite vėl.

PERVEŽIMAS, NAUDOJIMAS, LAIKYMAS

Prietaisas yra sunkus. Jei prietaisas nukris, tai gali sukelti sunkius sužeidimus.

Prietaisas neturi kėlimo ar tvirtinimo taškų.

Prietaisą pakelkite naudodami papildomą rankeną ir padėkite jį ant transportavimui skirtos priemonės.

Keldami, transportuodami ir sandėliuodami prietaisą apsaugokite jį nuo apvirtimo, nukritimo arba nuslydimo.

Prieš padėdami įrenginį laikyti, palaukite, kol jis atvės.

Prietaisą laikykite rakinamoje, švarioje, nuo šalčio apsaugotoje ir sausoje vietoje, kur jis būtų neprieinamas vaikams.

ANTGALIO KEITIMAS

Kaip pakeisti įstatomą antgalį, žr. paveikslėlius.

Įstatomas antgalis turi būti tinkamas įrankių laikikliui.

Įstatomo antgalio kotas neturi turėti pažeidimų.

Įstatomas antgalis turi būti pakankamai aštrus, kad išvengtumėte atšakančių smūgių.

Įstatomas antgalis turi būti tinkamas naudoti pagal numatytą paskirtį.

Įstatę antgalį patikrinkite, ar jis tinkamai užsifiksavo.

TECHNINIS APTARNAVIMAS

Įrenginio vėdinimo angos visada turi būti švarios.

Keičiant susidėvėjusius anglinius šepetėlius, be šepetėlių keitimo aptarnavimo dirbtuvėse reikėtų atlikti techninį prietaiso aptarnavimą. Tai prailgina įrenginio tarnavimo laiką ir užtikrina nuolatinę parengtį darbui.

Jeigu pažeistas elektros laidas, pakeiskite jį remonto dirbtuvėje, nes tam reikia specialaus prietaiso.

Naudokite tik „Milwaukee“ priedus ir „Milwaukee“ atsargines dalis. Dalis, kurių keitimas neaprašytas, leidžiama keisti tik „Milwaukee“ klientų aptarnavimo skyriams (žr. garantiją/klientų aptarnavimo skyrių adresus brošiūroje).

Esant poreikiui, nurodžius mašinos modelį ir šešiaženklį numerį, esantį ant specifikacijų lentelės, klientų aptarnavimo centre arba tiesiogiai „Techtronic Industries GmbH“, Max-Eyth-Str. 10, 71364 Winnenden, Vokietija, galite užsakyti išplėstinį prietaiso brėžinį.

SIMBOLIAI

	DĖMESIO! ĮSPĖJIMAS! PAVOJUS!
	Prieš atlikdami bet kokius darbus įrenginyje, išimkite keičiamą akumuliatorių.
	Prieš pradėdami dirbti su prietaisu, atidžiai perskaitykite jo naudojimo instrukciją.
	Lietojiet aizsardzības cimdus!
	Nešioti klausos apsaugines priemones!
	Dirbdami su įrenginiu visada nešioti apsauginius akinius.
	Atsargiai! Karšti paviršiai!
	Etiketėje nurodytas garantuotas garso galingumo lygis yra 99 dB.



Elektros prietaisų, baterijų/akumuliatorių šalinti kartu su buitiniemis atliekomis negalima. Elektros prietaisus ir akumulatorius reikia surinkti atskirai ir atiduoti perdirbimo įmonei, kad būtų pašalinti aplinkai saugiu būdu. Vietos valdžios institucijose arba specializuotose prekybos vietose pasidomėkite apie perdirbimo ir surinkimo centrus.



Europos atitikties ženklas



Regulatorius „Compliance Mark“ (RCM). Produktas atitinka galiojančias taisykles.



Ukrainos atitikties ženklas



Eurazijos atitikties ženklas

CE ATITIKTIES PAREIŠKIMAS

Remiantis bendrais atsakomybės reikalavimais pareiškiami, jog skyriuje "Techniniai duomenys" aprašytas produktas atitinka visus toliau pateiktų juridinių direktyvų reikalavimus: 2011/65/EU (RoHS), 2014/30/ES, 2006/42/EB ir kitus su jomis susijusius norminius dokumentus:

EN 60745-1 :2009+A11:2010
EN 60745-2-6:2010
EN 55014-1:2017
EN 55014-2:2015
EN 61000-3-2:2014
EN 61000-3-3:2013
EN IEC 63000:2018

Išmatuotas garso galios lygis 96 dB(A)

Garantuojamas garso galios lygis 99 dB(A)
Paklaida K= 3 dB(A)

Atitikties įvertinimo procedūra pagal Direktyvos 2000/14/EB VI priedą.

Įgaliota instancija:
DEKRA Certification B.V. (0344)
Meander 1051/P.O.Box 5185
6825 MS ARNHEIM/6802 ED ARNHEIM
Netherlands

Winnenden, 2019-03-03

Alexander Krug
Managing Director



Įgaliotas parengti techninius dokumentus.

Techtronic Industries GmbH
Max-Eyth-Straße 10
71364 Winnenden
Germany

TEHNILISED ANDMED

MEISELHAAMER

K 1000 S (220-240 V)

Toolmisnumber 4555 01 01...
.....000001-999999
Nimitarbinime 1750 W
Väljundvõimsus 900 W
Löökide arv koormusega maks 1400-1950 min⁻¹
Löögitugevus EPTA-Procedure 05/2009 kohaselt 26 J
Tööriista kinnitus SDS-MAX
Kaal vastavalt EPTA-protseduurile 01/2014 13,0 kg

Müra andmed

Mööteväärtused on kindlaks tehtud vastavalt normile EN 60 745.

Seadme tüüpiline hinnanguline (A) müratase:

Helirõhutase (Määramatus K=3dB(A)) 85 dB (A)
Helivõimsuse tase (Määramatus K=3dB(A)) 96 dB (A)

Kandke kaitseks kõrvaklappe!

Vibratsiooni andmed

Vibratsiooni koguväärtus (kolme suuna vektorsumma) mõõdetud EN 60745 järgi:

Meiseldamine

Vibratsiooni emissiooni väärtus a_h 6,7 m/s²
Määramatus K= 2 m/s²

TÄHELEPANU!

Antud juhendis toodud võnketase on mõõdetud EN 60745 standardile vastava mõõtesüsteemiga ning seda võib kasutada erinevate elektriseadmete omavahelises võrdlemises. Antud näitaja sobib ka esmaseks võnkekoormuse hindamiseks.

Antud võnketase kehtib elektriseadme kasutamisel sihtotstarbeliselt. Kui elektriseadet kasutatakse muudel otstarvetel, muude tööriistadega või seda ei hooldata piisavalt võib võnketase siintoodust erineda. Eeltoodu võib võnketaset märkimisväärselt tõsta terves töökeskkonnas.

Võnketaseme täpseks hindamiseks tuleks arvestada ka aega, mil seade on välja lülitatud või on küll sisse lülitatud, kuid ei ole otseselt kasutuses. See võib märgatavalt vähendada kogu töökeskkonna võnketaset.

Rakendage spetsiaalseid ettevaatusabinõusid töotajate suhtes, kes puutuvad töö käigus palju kokku vibratsiooniga. Nendeks abinõudeks võivad olla, näiteks: elektri- ja tööseadmete korraline hooldus, käte soojendamine, töövoov parem organiseerimine.

⚠ TÄHELEPANU! Kõik selle elektrilise tööriistaga kaasasolevad ohutusnõuded, juhised, joonised ja spetsifikatsioonid tuleb läbi lugeda. Kõigi allpool loetletud juhiste eiramise tagajärjeks võib olla elektrilööki, tulekahju ja/või raskest vigastused.

Hoidke kõik ohutusnõuded ja juhised edasiseks kasutamiseks hoolikalt alles.

⚠ MEISELHAAMRI OHUTUSJUHISED

Kandke kaitseks kõrvaklappe. Müra mõju võib kutsuda esile kuulmise kaotuse.

Tööde puhul, kus löikeseade võib minna vastu peidetud elektrijuhtmeid, hoidke kinni seadme isoleeritud käepidemetest. Kokkupuude pingestatud juhtmega võib pingestada ka löikeseadme metallist osad ning põhjustada elektrilöögi.

Kasutage seadmega koos tarnitud lisakäepidemeid. Kontrolli kaotamine võib põhjustada vigastusi.

EDASISED OHUTUS- JA TÖÖJUHISED

Kasutada kaitsevarustust. Masinaga töötamisel kanda alati kaitseprille. Kaitseriietusena soovitatakse kasutada tolmumaski kaitsekindaid, kinniseid ja libisemisvastase tallaga jalanõusid, kiivrit ja kuulmisteede kaitset.

Töö ajal tekkiv tolm on sageli tervistkahjustav ning ei tohiks sattuda organismi. Kanda sobivat kaitsemaski.

Töödelda ei tohi materjale, millest lähtub oht tervisele (nt asbest).

Palun lülitage seade rakendustööriista blokeerumise korral kohe välja! Ärge lülitage seadet sisse tagasi, kuni rakendustööriista on blokeeritud; seejuures võib kõrge reaktsioonimomendiga tagasilööki tekkida. Tehke ohutusjuhiseid arvesse võttes kindlaks ja kõrvaldage rakendustööriista blokeerumise põhjus.

Selle võimalikeks põhjusteks võivad olla:

- viltu asetumine töödeldavas toorikus
- töödeldava materjali läbimurdumine
- elektritööriista ülekoormamine

Ärge sisestage jäsemeid töötavasse masinasse.

Rakendustööriista võib kasutamise ajal kuumaks minna.

TÄHELEPANU! Põletusohu

- tööriista vahetamisel
- seadme ärapanemisel

Hoidke ühendusjuhe alati masina tööpiirkonnast eemal. Vedage juhe alati masinast tahapoole.

Seina, lae või põranda tööde puhul pidage silmas elektrijuhtmeid, gaasi- ja veetorusid.

Enne kõiki töid masina kallal tõmmake pistik pistikupesast välja.

Töötamisel võtke sisse kindel tööasend ning hoidke seadet alati kahest käepidemest mõlema käega. Tööriirkonnas ei tohi viibida teisi isikuid – eriti lapsi ning loomi.

Ärge suunake masinat töötamise ajal kõrvalseisjate suunas. Tööriist võib välja hüpata ja raskeid vigastusi põhjustada.

Pöörake tähelepanu sellele, et mitte keegi ei saa väljapaiskuvate või väljakukkuvate esemetete läbi vigastada. Töötage alati väga tähelepanelikult ja ennetavalt.

Pange seade hoolikalt käest. Ärge visake seadet põrandale või kõrgelt alla. Käest viskamisel võib seade teisi inimesi vigastada või te võite ise viga saada.

KASUTAMINE VASTAVALT OTSTARBELE

Vasarat saab rakendada kivimite ja betooni meiseldamiseks.

Antud seadet tohib kasutada ainult vastavalt äranäidatud otstarbele.

VÕRKU ÜHENDAMINE

Välitingimustes asuvad pistikupesad peavad olema varustatud rikkevoolukaitselülititega (FI, RCD, PRCD). Seda nõutakse Teie elektriseadme installaerimiseeskirjas. Palun pidage sellest meie seadme kasutamisel kinni.

Ühendage ainult ühefaasilise vahelduvvooluga ning ainult andmesildil toodud võrgupingega. Ühendada on võimalik ka kaitsekontaktita pistikupesadesse, kuna nende konstruktsioon vastab kaitseklassile II.

Ühendage seade pistikupesasse ainult välja lülitatult.

Käesolev seade on mõeldud kasutamiseks professionaalsel otstarvetel, mis võib veidi ületada üldkasutatava madalpingevõrgu harmoonilise võnkeulatuse. Seepärast võtke enne seadme ühendamist üldkasutatavasse madalpingevõrku vajadusel ühendust oma energiarustustevõtjega.

TAASKÄIVITUSKAITSE

Nullpingelüliti takistab masina taaskäivitumist pärast voolukatkestust. Töö taasalustamisel lülitage masin välja ja uuesti sisse.

TRANSPORTIMINE, ÜMBERKÄIMINE, LADUSTAMINE

Masin on raske. Masina allakukkimisel tekib oht rasketeks vigastusteks.

Masinal puuduvad tõste- või kinnituspunktid.

Tõstke masinat käepidemest ja asetage sobivale transportivahendile.

Masina tõstmisel, transportimisel ja hoiustamisel kindlustage see ümberkukkimise, -minemise ja ärallibisemise vastu.

Masinal tuleb enne hoiulepanekut lasta alati maha jahtuda.

Hoiustage masinat lukustatud, puhtas, külmakindlas ja kuivas kohas, kuhu lastel puudub ligipääs.

TÖÖRIISTA VAHETAMINE

Tööriista vahetamist vt pildiosalt.

Tööriist peab sobima tööriista pesa.

Tööriista vars peab olema kahjustamata.

Tööriist peab olema piisavalt terav, et vältida tagasipõrkuvaid lööke.

Tööriist peab sobima kavandatava kasutusotstarbega.

Kontrollige pärast tööriista kasutamist, et see oleks korralikult lukustatud.

HOOLDUS

Hoidke masina õhutuspilud alati puhtad.

Läbikulunud süsiharjade puhul tuleks klienditeenindustöökojas lisaks süsiharjade vahetusele teha ka hooldus. See pikendab masina eluiga ja tagab pideva käitamisvalmiduse.






Kui võrguühenduskaabel on kahjustatud, tuleb see spetsiaalsete tööriistade kasutamise tõttu lasta välja vahetada klienditeeninduses, Text hier anhängen.

Kasutage ainult Milwaukee tarvikuid ja Milwaukee tagavaraosi. Detailid, mille väljavahetamist pole kirjeldatud, laske välja vahetada Milwaukee klienditeeninduspunktis (vaadake brošüüri garantii / klienditeeninduste aadressid).

Vajadusel saab nõuda seadme plahvatusjoonise võimsussildil oleva masinatüübi ja kuuekohalise numbril alusel klienditeeninduspunkti või vahetult firmalt Techtronic Industries GmbH, Max-Eyth-Straße 10, 71364 Winnenden, Germany.

SÜMBOLID

	ETTEVAATUST! TÄHELEPANU! OHUD!
	Enne kõiki töid masina kallal võtke vahetatav aku välja.
	Palun lugege enne käikulaskmist kasutamisyjuhend hoolikalt läbi.
	Kanda kaitsekindaid!
	Kandke kaitseks kõrvaklappe!
	Masinaga töötades kandke alati kaitseprille.
	Ettevaatust! Kuumad pinnad!
	Vastavalt tüübisildile tagatud müratase on 99 dB.

	Elektriseadmeid, patareid/akusid ei tohi utiliseerida koos majapidamisprügiga. Elektriseadmed ja akud tuleb eraldi kokku koguda ning kõrvaldada keskkonnasõbralikult moel töötlemiskeskusesse. Küsige infot jäätmekäitlusjaamade ja kogumispunktide kohta oma kohalike ametnike või edasimüüja käest.
	Euroopa vastavusmärk
	Regulatory Compliance Mark (RCM). Toode vastab kehtivatele eeskirjadele.
	Ukraina vastavusmärk
	Euraasia vastavusmärk

EÜ VASTAVUSAVALDUS

Me deklareerime ainuisikuliselt vastutades, et lõigus "Tehnilised andmed" kirjeldatud toode vastab direktiivide 2011/65/EU (RoHS), 2014/30/EU, 2006/42/EÜ kõigile olulisele tähtsusega eeskirjadele ning järgmistele harmoniseeritud normatiivsetele dokumentidele:

EN 60745-1 :2009+A11:2010
EN 60745-2-6:2010
EN 55014-1:2017
EN 55014-2:2015
EN 61000-3-2:2014
EN 61000-3-3:2013
EN IEC 63000:2018

Mõõdetud müravõimsuse tase 96 dB(A)

Garanteeritud müravõimsuse tase 99 dB(A)
Määramatus K= 3 dB(A)

Vastavushindamise toiming vastavalt 2000/14/EÜ lisale VI.

Teavitatud asutus:
DEKRA Certification B.V. (0344)
Meander 1051/P.O.Box 5185
6825 MS ARNHEIM/6802 ED ARNHEIM
Netherlands

Winnenden, 2019-03-03



Alexander Krug
Managing Director



On volitatud koostama tehnilist dokumentatsiooni.

Techtronic Industries GmbH
Max-Eyth-Straße 10
71364 Winnenden
Germany

Серийный номер изделия	4555 01 01...
	...000001-999999
Номинальная выходная мощность.....	1750 W
Номинальная мощность	900 W
Количество ударов при максимальной нагрузке (макс.).....	1400-1950 min ⁻¹
Сила одиночного удара в соответствии с EPTA Procedure 05/2009	26 J
Держатель вставок.....	SDS-MAX
Вес согласно процедуре EPTA 01/2014	13,0 kg

Информация по шумам

Значения замерялись в соответствии со стандартом EN 60 745.
 Уровень шума прибора, определенный по показателю A, обычно составляет:
 Уровень звукового давления (Небезопасность K=3dB(A)).....85 dB (A)
 Уровень звуковой мощности (Небезопасность K=3dB(A)).....96 dB (A)

Пользуйтесь приспособлениями для защиты слуха.

Информация по вибрации

Общие значения вибрации (векторная сумма трех направленных) определены в соответствии с EN 60745:
 Вырубка
 Значение вибрационной эмиссии a_h.....6,7 m/s²
 Небезопасность K=.....2 m/s²

ВНИМАНИЕ!

Указанный в настоящем руководстве уровень вибрации измерен в соответствии с технологией измерения, установленной стандартом EN 60745 и может использоваться для сравнения электроинструментов друг с другом. Он также подходит для предварительной оценки вибрационной нагрузки.

Указанный уровень вибрации представляет основные виды использования электроинструмента. Но если электроинструмент используется для других целей, используемый инструмент отклоняется от указанного или техническое обслуживание было недостаточным, то уровень вибрации может отклоняться от указанного. В этом случае вибрационная нагрузка в течение всего периода работы значительно увеличивается

Для точной оценки вибрационной нагрузки необходимо также учитывать время, в течение которого прибор отключен или включен, но фактически не используется. В этом случае вибрационная нагрузка в течение всего периода работы может существенно уменьшиться.

Установите дополнительные меры безопасности для защиты пользователя от воздействия вибрации, например: техническое обслуживание электроинструмента и используемого инструмента, поддержание рук в теплом состоянии, организация рабочих процессов.

ВНИМАНИЕ! Ознакомьтесь со всеми предупреждениями относительно безопасного использования, инструкциями, иллюстративным материалом и техническими характеристиками, поставляемыми с этим электроинструментом. Несоблюдение всех нижеприведенных инструкций может привести к поражению электрическим током, пожару и/или тяжелым травмам.
 Сохраняйте эти инструкции и указания для будущего использования.

ПРАВИЛА ТЕХНИКИ БЕЗОПАСНОСТИ ДЛЯ ОТБОЙНЫХ МОЛОТКОВ

Используйте наушники! Воздействие шума может привести к потере слуха.
Если Вы выполняете работы, при которых режущий инструмент может зацепить скрытую электропроводку кабель, инструмент следует держать за специально предназначенные для этого изолированные поверхности. Контакт режущего инструмента с токоведущим проводом может ставить под напряжение металлические части прибора, а также приводить к удару электрическим током.
Используйте вспомогательные рукоятки, поставляемые вместе с инструментом. Потеря контроля может стать причиной травмы.

ДОПОЛНИТЕЛЬНЫЕ УКАЗАНИЯ ПО БЕЗОПАСНОСТИ И РАБОТЕ

Пользоваться средствами защиты. Работать с инструментом всегда в защитных очках. Рекомендуется спецодежда: пылезащитная маска, защитные перчатки, прочная и нескользящая обувь, каска и наушники.
 Пыль, возникающая при работе данным инструментом, может нанести вред здоровью. Не следует допускать её попадания в организм. Надевайте противопылевой респиратор.
 Запрещается обрабатывать материалы, которые могут нанести вред здоровью (напр., асбест).
 При блокировании используемого инструмента немедленно выключить прибор! Не включайте прибор до тех пор, пока используемый инструмент заблокирован, в противном случае может возникнуть отдача с высоким реактивным моментом. Определите и устраните причину блокирования используемого инструмента с учетом указаний по безопасности.
 Возможными причинами могут быть:
 • перекос заготовки, подлежащей обработке
 • разрушение материала, подлежащего обработке
 • перегрузка электроинструмента
 Не прикасаться к работающему станку.

Используемый инструмент может нагреваться во время применения.

ВНИМАНИЕ! Опасность получения ожога

- при смене инструмента
- при укладывании прибора

Держите силовой провод вне рабочей зоны инструмента. Всегда прокладывайте кабель за спиной.

При работе в стенах, потолках или полу следите за тем, чтобы не повредить электрические кабели или водопроводные трубы.

Перед выполнением каких-либо работ по обслуживанию инструмента всегда вынимайте вилку из розетки.

Всегда стойте на надежной опоре и держите инструмент обеими руками. Не допускайте в рабочую зону детей и животных.

Не направляйте инструмент во время работы на находящиеся рядом людей. Рабочий инструмент может выскользнуть и нанести тяжелые травмы.

Следите за тем, чтобы никто не поранился о выброшенные или выпавшие остатки материала. Во время работы будьте внимательны и осмотрительны.

Осторожно обращайтесь с инструментом. Не бросайте его на пол и не кидайте с большой высоты. При этом инструмент может травмировать людей или сам получить повреждения.

ИСПОЛЬЗОВАНИЕ

Отбойный молоток может использоваться для ударного сверления и долбления в камне и бетоне

Не пользуйтесь данным инструментом способом, отличным от указанного для нормального применения.

ПОДКЛЮЧЕНИЕ К ЭЛЕКТРОСЕТИ

Электроприборы, используемые во многих различных местах, в том числе на открытом воздухе, должны подключаться через устройство, предотвращающее резкое повышение напряжения (FI, RCD, PRCD).

Подсоединять только к однофазной сети переменного тока с напряжением, соответствующим указанному на инструменте. Электроинструмент имеет второй класс защиты, что позволяет подключать его к розеткам электропитания без заземляющего вывода.

Перед включением вилки в розетку убедитесь, что машина выключена.

Этот прибор, предназначенный для профессионального использования, способен немного превышать нормативные показатели для гармонической составляющей тока при подключении к общественной сети низкого напряжения. Поэтому перед тем, как подключить прибор, свяжитесь с предприятием, отвечающим за общественную сеть низкого напряжения, или с соответствующей энергосбытовой компанией.

ЗАЩИТА ОТ ПОВТОРНОГО ВКЛЮЧЕНИЯ

Нулевой выключатель препятствует повторному пуску машины после перерыва в электроснабжении. При новом вводе в действие машину выключите и снова включите.

ТРАНСПОРТИРОВКА, ОБРАЩЕНИЕ, ХРАНЕНИЕ

Инструмент имеет большой вес. При его падении существует опасность получения тяжелых травм. Инструмент не имеет специальных такелажных точек подъема. Поднять инструмент за дополнительную рукоятку и уложить на подходящее транспортное средство.

При подъеме, транспортировке и хранении оберегать инструмент от переворачивания, падения или соскальзывания.

Перед приемом инструмента на хранение дождаться, пока он остынет.

Хранить инструмент в чистом, сухом, защищенном от мороза, закрытом месте, недоступном для детей.

СМЕНА РАБОЧЕГО ИНСТРУМЕНТА

Смена рабочего инструмента, см. рис.

Рабочий инструмент должен соответствовать зажиму для инструмента.

Хвостовик рабочего инструмента не должен быть поврежден.

Рабочий инструмент должен быть достаточно острым во избежание ударов с отскоком.

Рабочий инструмент должен соответствовать планируемой цели использования.

После установки рабочего инструмента проверить надежность его крепления.

ОБСЛУЖИВАНИЕ

Всегда держите охлаждающие отверстия чистыми. При износе угльных щеток, в дополнение к замене щеток инструмент следует проверить в сервисном центре. Это обеспечит долгий срок эксплуатации, а также постоянную готовность инструмента к работе.









При повреждении сетевого соединительного кабеля его замену производит служба технической поддержки клиентов, так как для этого требуется специальный инструмент.

Пользуйтесь аксессуарами и запасными частями Milwaukee. В случае возникновения необходимости в замене, которая не была описана, обращайтесь в один из сервисных центров по обслуживанию электроинструментов Milwaukee (см. список сервисных организаций).

При необходимости, у сервисной службы или непосредственно у фирмы Techtronic Industries GmbH, Max-Eyth-Straße 10, 71364, Винненден, Германия, можно запросить сборочный чертеж устройства, сообщив его тип и шестизначный номер, указанный на фирменной табличке.

СИМВОЛЫ

	ВНИМАНИЕ! ПРЕДУПРЕЖДЕНИЕ! ОПАСНОСТЬ!
	Выньте аккумулятор из машины перед проведением с ней каких-либо манипуляций.
	Пожалуйста, внимательно прочтите инструкцию по использованию перед началом любых операций с инструментом.
	Надевать защитные перчатки!
	Пользуйтесь приспособлениями для защиты слуха.

	При работе с инструментом всегда надевайте защитные очки.
	Осторожно — горячие поверхности!
	В соответствии с заводской табличкой гарантированный уровень звуковой мощности составляет 99 dB.
	Электроприборы, батареи/аккумуляторы запрещено утилизировать вместе с бытовым мусором. Электрические приборы и аккумуляторы следует собирать отдельно и сдавать в специализированную компанию для утилизации в соответствии с нормами охраны окружающей среды. Получите в местных органах власти или у вашего специализированного дилера сведения о центрах вторичной переработки и пунктах сбора.
	Европейский знак соответствия
	Regulatory Compliance Mark (RCM). Продукт соответствует требованиям действующих предписаний.
	Украинский знак соответствия
	Сертификат Соответствия No. TC RU C-DE.PC52.B.01332 Срок действия Сертификата Соответствия по 09.07.2023 ООО «Региональный центр оценки соответствия» 123060, Россия, город Москва, улица Маршала Рыбалко, дом 2, корпус 9, помещение 638

Транспортировка:

Категорически не допускается падение и любые механические воздействия на упаковку при транспортировке.

При разгрузке/погрузке не допускается использование любого вида техники, работающей по принципу зажима упаковок.

Хранение:

Необходимо хранить в сухом месте.

Необходимо хранить вдали от источников повышенных температур и воздействия солнечных лучей.

При хранении необходимо избегать резкого перепада температур.

Хранение без упаковки не допускается.

Срок службы изделия:

Срок службы изделия составляет 5 лет.

Не рекомендуется к эксплуатации по истечении 5 лет хранения с даты изготовления без предварительной проверки.

Дата изготовления (код даты) отштампован на поверхности корпуса изделия.

Пример:

A2015, где 2015 - год изготовления

A – месяц изготовления

Определить месяц изготовления можно согласно приведенной ниже таблице

A - Январь	G - Июль
B - Февраль	H - Август
C - Март	J - Сентябрь
D - Апрель	K - Октябрь
E - Май	L - Ноябрь
F - Июнь	M - Декабрь

Тектроник Индастриз ГмбХ
Германия, 71364, Винненден,
ул. Макс-Ай-Штрассе, 10
Сделано в Чехии

ДЕКЛАРАЦИЯ О СООТВЕТСТВИИ СТАНДАРТАМ ЕС

Мы заявляем под собственную ответственность, что изделие, описанное в разделе "Технические характеристики", соответствует всем важным предписаниям Директивы 2011/65/EU (Директива об ограничении применения опасных веществ в электрических и электронных приборах), 2014/30/EU, 2006/42/ЕС и приведенным далее гармонизированным нормативным документам:

EN 60745-1 :2009+A11:2010
EN 60745-2-6:2010
EN 55014-1:2017
EN 55014-2:2015
EN 61000-3-2:2014
EN 61000-3-3:2013
EN IEC 63000:2018

Измеренный уровень звуковой мощности 96 dB(A)

Гарантированный уровень звуковой мощности 99 dB(A)
Небезопасность K= 3 dB(A)

Порядок оценки соответствия согласно 2000/14/EC
Приложение VI.

Сертификационный орган:
DEKRA Certification B.V. (0344)
Meander 1051/P.O.Box 5185
6825 MS ARNHEIM/6802 ED ARNHEIM
Netherlands

Winnenden, 2019-03-03



Alexander Krug
Managing Director



Уполномочен на составление технической документации.

Techtronic Industries GmbH
Max-Eyth-Straße 10
71364 Winnenden
Germany

ТЕХНИЧЕСКИ ДАННИ

УДАРНО ДЛЕТО

K 1000 S (220-240 V)

Производствен номер..... 4555 01 01...
.....000001-999999
Номинална консумирана мощност..... 1750 W
Отдавана мощност..... 900 W
Макс. брой на ударите при натоварване..... 1400-1950 min⁻¹
Енергия на единичен удар съгласно EPTA-Procedure 05/2009..... 26 J
Гнездо за закрепване на инструменти..... SDS-MAX
Тегло съгласно процедурата EPTA 01/2014..... 13,0 kg

Информация за шума

Измерените стойности са получени съобразно EN 60 745.

Оцененото с A ниво на шума на уреда е съответно:

Равнище на звуковото налягане (Несигурност K=3dB(A))..... 85 dB (A)

Равнище на мощността на звука (Несигурност K=3dB(A))..... 96 dB (A)

Да се носи предпазно средство за слуха!

Информация за вибрациите

Общите стойности на вибрациите (векторна сума на три посоки) са определени в съответствие с EN 60745:

Дълбаене

Стойност на емисии на вибрациите a_v..... 6,7 m/s²

Несигурност K=..... 2 m/s²

ВНИМАНИЕ!

Посоченото в тези инструкции ниво на вибрациите е измерено в съответствие със стандартизиран в EN 60745 измервателен метод и може да се използва за сравнение на електрически инструменти помежду им. Подходящ е и за временна оценка на вибрационното натоварване.

Посоченото ниво на вибрациите представя основните приложения на електрическия инструмент. Ако обаче електрическият инструмент се използва с друго предназначение, с различни сменяеми инструменти или при недостатъчна техническа поддръжка, нивото на вибрациите може да е различно. Това чувствително може да увеличи вибрационното натоварване по време на целия работен цикъл.

За точната оценка на вибрационното натоварване трябва да се вземат предвид и периодите от време, в които уредът е изключен или работи, но в действителност не се използва. Това чувствително може да намали вибрационното натоварване по време на целия работен цикъл.

Определете допълнителни мерки по техника на безопасност в защита на обслужващия работник от въздействието на вибрациите като например: техническа поддръжка на електрическия инструмент и сменяемите инструменти, поддръжане на ръцете топли, организация на работния цикъл.

▲ ВНИМАНИЕ! Прочетете всички указания за безопасност, инструкции, илюстрации и спецификации за този електроинструмент.

Пропуските при спазване на приведените по-долу указания могат да доведат до токов удар, пожар и/или тежки травми.

Запазете тези инструкции и указания за безопасност за бъдещи справки.

▲ УКАЗАНИЯ ЗА БЕЗОПАСНОСТ ЗА УДАРНО ДЛЕТО

Носете средство за защита на слуха. Въздействието на шума може да предизвика загуба на слуха.

Дръжте уреда за изолираните ръкохватки, когато извършвате работи, при които режещият инструмент може да засегне скрити електроинсталационни кабели. Контактът на режещия инструмент с тоководещ проводник може да предаде напрежението върху метални части на уреда и да доведе до токов удар.

Използвайте доставените с уреда допълнителни ръкохватки. Загубата на контрол може да доведе до наранявания.

ДОПЪЛНИТЕЛНИ УКАЗАНИЯ ЗА РАБОТА И БЕЗОПАСНОСТ

Да се използват предпазни средства. При работа с машината винаги носете предпазни очила. Препоръчват се защитно облекло и прахозащитна маска, защитни ръкавици, здрави и нехлъзгащи се обувки, каска и предпазни средства за слуха.

Прахът, който се образува при работа, често е вреден за здравето и не бива да попада в тялото. Да се носи подходяща прахозащитна маска.

Не е разрешена обработката на материали, които представляват опасност за здравето (напр. азбест).

Ако използваният инструмент блокира, изключете веднага уреда! Не включвайте уреда отново, докато използваният инструмент е блокиран; това би могло да доведе до откат с висока реактивна сила. Открийте и отстранете причината за блокирането на използвания инструмент и майки в предвид инструкциите за безопасност.

Възможните причини за това могат да бъдат:

- Заклинване в обработваната част
- Пробиване на материала
- Пренатоварване на електрическия инструмент

Не бъркайте в машината, докато тя работи.

Използваният инструмент може да загрее по време на употреба.

ВНИМАНИЕ! Опасност от изгаряния

- при смяна на инструмента
- при оставяне на уреда

Свързващият кабел винаги да се държи извън работния обхват на машината. Кабелът да се отвежда от машината винаги назад.

При работа в стени, тавани или подове внимавайте за кабели, газопроводи и водопроводи.

Преди каквито и да е работи по машината извадете щепсела от контакта.

При работа заемете сигурно положение и дръжте винаги уреда с две ръце за двете ръкохватки. В работния участък да няма други лица, най-вече деца, или животни.

По време на работа не насочвайте машината към околните. Приставката може да се освободи и да предизвика тежки наранявания.

Следете излитащите или падащи материали да не създават опасност за хората. Винаги работете внимателно и предвидливо.

Внимателно поставяйте уреда настрана. Не хвърляйте уреда на пода или от големи височини. При хвърляне уредът може да нарани някого или самият той да се повреди.

ИЗПОЛЗВАНЕ ПО ПРЕДНАЗНАЧЕНИЕ

Чукът може да се използва за дълбаене в камък и бетон.

Този уред може да се използва по предназначение само както е посочено.

ЗАЩИТА НА ДВИГАТЕЛЯ В ЗАВИСИМОСТ ОТ НАТОВАРВАНЕТО

Контактите във външните участъци трябва да бъдат оборудвани със защитни прекъсвачи за утечен ток (FI, RCD, PRCD). Това изисква предписанието за инсталиране за електрическата инсталация. Моля спазвайте това при използване на Вашия уред.

Да се свързва само към еднофазен променлив ток и само към мрежово напрежение, посочено върху заводската табелка. Възможно е и свързване към контакт, който не е от тип "шuko", понеже конструкцията е от защитен клас II.

Свързвайте уреда към контакта само в изключено състояние.

Това е уред за професионална употреба, който минимално може да надвиши ориентировъчните стойности за хармонични токови вълни при свързване към обществената електрическа мрежа за ниско напрежение. Затова преди свързване на уреда се консултирайте с компетентното електроразпределително дружество.

ЗАЩИТА ОТ ПОВТОРНО ПУСКАНЕ

Нулевият прекъсвач предотвратява повторно задвижване на машината след отпадане на тока. При възобновяване на работата машината да се изключи и да се включи отново.

ТРАНСПОРТ, БОРАВЕНЕ, СЪХРАНЕНИЕ

Машината е тежка. Съществува опасност от тежко нараняване, ако машината падне.

Машината няма точки за повдигане или за закрепване.

Вдигайте машината за допълнителната ръкохватка и я поставяйте върху подходящо транспортно средство.

При вдигане, транспортиране или съхранение обезопасете срещу преобръщане, падане или изплъзване.

Преди прибиране за съхранение винаги я изчакайте да се охлади.

Съхранявайте машината на затворено, чисто и сухо място, без наличие на прах, което е недостъпно за деца.

СМЯНА НА ПРИСТАВКА

За смяна на приставка вижте частта с изображения.

Приставката трябва да е подходяща за патронника на инструмента.

Тялото на приставката трябва да бъде изправно.

Приставката трябва да бъде достатъчно остра, за да се избегнат резки удари с отскок.

Приставката трябва да е подходяща за планираната цел.

След поставянето на приставката проверете дали тя е правилно застопорена.

ПОДДРЪЖКА

Вентилационните шлицы на машината да се поддържат винаги чисти.

Ако въгленовите четки са износени, те трябва да се сменят и допълнително е необходим преглед в сервис. Това ще удължи експлоатационния срок на машината и гарантира постоянна експлоатационна готовност.

Ако кабелът на захранването е повреден, то занесете го за смяна в сервис, тъй като за това са необходими специални инструменти.

Да се използват само аксесоари на Milwaukee и резервни части на Milwaukee. Елементи, чията подмяна не е описана, да се дадат за подмяна в сервис на Milwaukee (вижте брошурата "Гаранция и адреси на сервиси").

При необходимост можете да поискате схема на елементите на уреда при посочване на обозначение на машината и шестцифрени номер на табелката за технически данни от Вашия сервис или директно на Techtronic Industries GmbH, Max-Eyth-Straße 10, 71364 Winnenden, Германия.

СИМВОЛИ



ВНИМАНИЕ! ПРЕДУПРЕЖДЕНИЕ!
ОПАСНОСТ



Преди започване на каквито и да е работи по машината извадете акумулатора.



Преди пускане на уреда в действие моля прочетете внимателно инструкцията за използване.



Да се носят предпазни ръкавици!



Да се носи предпазно средство за слуха!



При работа с машината винаги носете предпазни очила.



Внимание – горещи повърхности!



Гарантираното ниво на звуковата мощност съгласно типовата табелка е 99 dB.



Електрическите уреди, батерии/акумулаторни батерии не трябва да се изхвърлят заедно с битовите отпадъци.

Електрическите уреди и акумулаторни батерии трябва да се събират отделно и да се предават на службите за рециклиране на отпадъците според изискванията за опазване на околната среда.

Информирайте се при местните служби или при местните специализирани търговци относно местата за събиране и центровете за рециклиране на отпадъци.



Европейски знак за съответствие



Regulatory Compliance Mark (RCM). Продуктът отговаря на приложимите нормативни изисквания.



Украински знак за съответствие



Евро-азиатски знак за съответствие

СЕ - ДЕКЛАРАЦИЯ ЗА СЪОТВЕТСТВИЕ

Заявяваме под собствена отговорност, че описаният в "Технически данни" продукт съответства на всички важни разпоредби на директива 2011/65/EU (RoHS), 2014/30/EU, 2006/42/EO както и на всички следващи нормативни документи във тази връзка.

EN 60745-1 :2009+A11:2010
EN 60745-2:6:2010
EN 55014-1:2017
EN 55014-2:2015
EN 61000-3-2:2014
EN 61000-3-3:2013
EN IEC 63000:2018

Измерено ниво на звукова мощност 96 dB(A)

Гарантирано ниво на звукова мощност 99 dB(A)
Несигурност K= 3 dB(A)

Процедура за оценка на съответствието съгласно 2000/14/EO Приложение VI.

Посочена служба:
DEKRA Certification B.V. (0344)
Meander 1051/P.O.Box 5185
6825 MS ARNHEIM/6802 ED ARNHEIM
Netherlands

Winnenden, 2019-03-03

Alexander Krug
Managing Director



Упълномощен за съставяне на техническата документация

Techtronic Industries GmbH
Max-Eyth-Straße 10
71364 Winnenden
Germany

DATE TEHNICE CIOCAN TIP DALTĂ K 1000 S (220-240 V)

Număr producție	4555 01 01... ...000001-999999
Putere nominală de ieșire.....	1750 W
Putere de ieșire	900 W
Rata de percuție sub sarcină max.....	1400-1950 min ⁻¹
Energia de percuție conform EPTA-Procedure 05/2009	26 J
Locaș sculă.....	SDS-MAX
Greutatea conform „EPTA procedure 01/2014”	13,0 kg

Informație privind zgomotul

Valori măsurate determinate conform EN 60 745.

Nivelul de zgomot evaluat cu A al aparatului este tipic de:

Nivelul presiunii sonore (Nesiguranță K=3dB(A)).....	85 dB (A)
Nivelul sunetului (Nesiguranță K=3dB(A)).....	96 dB (A)

Purtați căști de protecție

Informații privind vibrațiile

Valorile totale de oscilație (suma vectorială pe trei direcții) determinate conform normei EN 60745:

Dăltuire	
Valoarea emisiei de oscilații a _n	6,7 m/s ²
Nesiguranță K=	2 m/s ²

AVERTISMENT!

Gradul de oscilație indicat în prezentele instrucțiuni a fost măsurat în conformitate cu o procedură de măsurare normată prin norma EN 60745 și poate fi folosit pentru a compara uneltele electrice între ele. El se pretează și pentru o evaluare provizorie a solicitării la oscilații.

Gradul de oscilație indicat reprezintă aplicațiile principale ale uneltelor electrice. În cazul în care însă uneltele electrice au fost folosite pentru alte aplicații, ori au fost folosite uneltele de muncă diferite ori acestea nu au fost supuse unei suficiente inspecții de întreținere, gradul de oscilație poate fi diferit.

Acest fapt poate duce la o creștere netă a solicitărilor la oscilații dealungul întregii perioade de lucru. În scopul unei evaluări exacte a solicitării la oscilații, urmează să fie luate în considerație și perioadele de timp în care aparatul a fost oprit ori funcționează dar, în realitate, el nu este folosit în mod practic. Acest fapt poate duce la o reducere netă a solicitărilor la oscilații dealungul întregii perioade de lucru.

Stabiliți măsuri de siguranță suplimentare în scopul protecției utilizatorului de efectele oscilațiilor, de exemplu: inspecție de întreținere a uneltelor electrice și a celor de muncă, păstrarea caldă a mâinilor, organizarea proceselor de muncă.

A AVERTISMENT A se citi toate avertismentele, instrucțiunile, ilustrațiile și specificațiile privind siguranța furnizate cu această unealtă electrică.

Nerespectarea tuturor instrucțiunilor listate mai jos poate cauza șocuri electrice, incendii și/sau vătămări corporale grave.

Păstrați toate indicațiile de avertizare și instrucțiunile în vederea utilizărilor viitoare.

A INDICAȚII DE SIGURANȚĂ PENTRU CIOCANUL TIP DALTĂ

Purtați aparatoare de urechi. Expunerea la zgomot poate produce pierderea auzului.

Țineți aparatul de mânerle izolate când executați lucrări la care scula tăietoare poate nimeri peste conductorii electrici ascunși. Intrarea în contact a sculei tăietoare cu o linie electrică prin care circulă curent poate pune sub tensiune și componente metalice ale aparatului și să ducă la electrocutare.

Utilizați manerle auxiliare livrate cu scula. Pierderea controlului poate provoca rănirea persoanelor.

INSTRUCȚIUNI SUPLIMENTARE DE SIGURANȚĂ ȘI DE LUCRU

Folosiți echipament de protecție. Purtați întotdeauna ochelari de protecție când lucrați cu mașina. Se recomandă utilizarea hainelor de protecție ca de ex. Măști contra prafului, mănuși de protecție, încălțăminte stabilă nealunecoasă, cască și apărătoare de urechi.

Praful care apare când se lucrează/ cu această/ scul/ poate fi d/un/tor s/n/t/cii i prin urmare nu trebuie s/ atingă corpul. Purtați o masc/ de protecție corespunzătoare împotriva prafului.

Nu se admite prelucrarea unui material care poate pune în pericol sănătatea operatorului (de exemplu azbestul).

La blocarea sculei demontabile vă rugăm să deconectați imediat aparatul! Nu conectați aparatul atâta timp cât scula demontabilă este blocată; dacă o faceți, s-ar putea să se producă un recul cu un cuplu mare de reacție. Găsiți și remediați cauza de blocare a sculei demontabile respectând indicațiile pentru siguranță.

Cauzele posibile pot fi:

- Agățarea în piesa de prelucrat
- Străpungerea materialului de prelucrat
- Suprasolicitarea sculei electrice

Nu atingeți părțile mașinii aflate în rotație.

Scula introdusă poate să devină fierbinte în timpul utilizării.

AVERTISMENT! Pericol de arsuri

- la schimbarea sculei
- la depunerea aparatului

Păstrați cablul de alimentare la o distanță de aria de lucru a mașinii. Întotdeauna țineți cablul în spatele dvs.

Când se lucrează pe pereți, tavan sau dușumea, aveți grijă să evitați cablurile electrice și țevile de gaz sau de apă.

Întotdeauna scoateți stecarul din priză înainte de a efectua intervenții la mașină.

Întotdeauna păstrați o poziție sigură și țineți mașina cu ambele mâini. Țineți copiii și animalele departe de zona de lucru.

În timpul funcționării, nu orientați mașina spre persoane aflate în apropiere. Unealta ar putea fi propulsată în afară și ar putea cauza accidentări grave.

Aveți grijă ca nicio persoană să nu fie pusă în pericol din cauza materialelor propulsate sau în cădere. Lucrați întotdeauna foarte atent și precaut.

Așezați aparatul cu grijă. Nu aruncați aparatul pe sol sau de la mare înălțime. Prin aruncare aparatul poate accidenta alte persoane sau poate suferi deteriorări.

CONDIȚII DE UTILIZARE SPECIFICATE

Ciocanul poate fi folosit pentru dăltuit în piatră și beton.

Nu utilizați acest produs în alt mod decât cel stabilit pentru utilizare normală

ALIMENTARE DE LA REȚEA

Aparatele utilizate în multe locații diferite inclusiv în aer liber trebuie conectate printr-un disjunct (FI, RCD, PRCD) care previne comutarea.

Conectați numai la priză de curent alternativ monofazat și numai la tensiunea specificată pe placuța indicatoare. Se permite conectarea și la prize fără împământare dacă modelul se conformează clasei II de securitate.

Asigurați-vă că aparatul este oprit, înainte de conectare.

Acesta este un aparat pentru profesioniști care, dacă este conectat la rețeaua publică de joasă tensiune, poate depăși cu puțin valorile de referință pentru armonicele de curent. Contactați de aceea, înainte de a conecta aparatul la rețeaua publică de joasă tensiune, eventual întreprinderea care vă alimentează cu energie.

PROTECȚIE CONTRA REPORNIRII

Un comutator de tensiune zero previne repornirea mașinii după o cădere de tensiune. La reluarea lucrului, opriți mașina și apoi o reporniți.

TRANSPORT, MÂNUIRE, DEPOZITARE

Mașina este grea. Pericol de accidentare în cazul căderii mașinii.

Mașina nu prezintă puncte de ridicare sau amarare.

Ridicați mașina de mânerul suplimentar și așezați-o pe un mijloc de transport adecvat.

În timpul ridicării, transportului și depozitării asigurați mașina împotriva basculării, căderii sau alunecării.

Înainte de depozitare așteptați întotdeauna ca mașina să se răcească.

Depozitați mașina într-un loc închis, curat, protejat de îngheț și uscat, în accesibil copiilor.

ÎNLOCUIREA UNELTEI

Înlocuirea uneltei, vezi figura.

Unealta trebuie să fie adecvată pentru mandrină.

Axul uneltei trebuie să fie în stare nedeteriorată.

Unealta trebuie să fie suficient de ascuțită pentru a evita loviturile bruște.

Unealta trebuie să fie adecvată pentru scopul planificat.

După montarea uneltei, verificați dacă aceasta este blocată corect.

ÎNȚEȚINERE

Fantele de aerisire ale mașinii trebuie să fie menținute libere tot timpul



Nota importantă: dacă perile de carbon sunt uzate, în plus față de schimbarea perilor scula trebuie trimisă la service-ul post vânzare. Aceasta va asigura o viață lungă de lucru și performanțe de vârf.

Dacă cablul de racordare la rețea este avariata, acesta trebuie înlocuit la un punct de service, deoarece pentru aceasta este nevoie de scule speciale.

Utilizați numai accesorii și piese de schimb Milwaukee. Dacă unele din componente care nu au fost descrise trebuie înlocuite, vă rugăm contactați unul din agenții de service Milwaukee (vezi lista noastră pentru service / garanți

Dacă este necesar, puteți solicita de la centrul dvs. de service pentru clienți sau direct la Techtronic Industries GmbH, Max-Eyth-Straße 10, 71364 Winnenden, Germania un desen descompus al aparatului prin indicarea tipului de aparat și a numărului cu șase cifre de pe tăblița indicatoare.

SIMBOLURI

	PERICOL! AVERTIZARE! ATENȚIE!
	Îndepărtați acumulatorul înainte de începerea lucrului pe mașina
	Vă rugăm citiți cu atenție instrucțiunile înainte de pornirea mașinii
	Purtați mănuși de protecție!
	Purtați căști de protecție
	Purtați întotdeauna ochelari de protecție când utilizați mașina.

	Atenție – Suprafețe fierbinți!
	Nivelul de putere акустича гарантиран конформ плачуџи со date de идентификация е де 99 dB.
	Апарате електриче, батериите/акумулатории ну се елиминира ѓпреунa с деџеуриле менажере. Апарате електриче џи акумулатории се колецтеаа сепарат џи се предау ла ун ценру де рециларе, ѓн ведереа елиминaрии екологиче. Информaџи-вa де ла ауторитaџиле локале сау де ла комерианџии аcreditedaџи ѓн легaџурa су ценреде рециларе џи де колецтаре.
	Марча де конформитате еуропеанa
	Regulatory Compliance Mark (RCM). Продукул ѓндеплинеџе нормеле ѓн вигоре.
	Марча де конформитате украинеанa
	Марча де конформитате еурасиатича

DECLARAȚIE DE CONFORMITATE

Declarăm pe propria răspundere că produsul descris la "Date tehnice" este în concordanță cu toate prevederile legale relevante ale Directivei 2011/65/EU (RoHS), 2014/30/UE, 2006/42/CE și cu următoarele norme armonizate:

EN 60745-1 :2009+A11:2010
 EN 60745-2-6:2010
 EN 55014-1:2017
 EN 55014-2:2015
 EN 61000-3-2:2014
 EN 61000-3-3:2013
 EN IEC 63000:2018

Nivel de sunet măsurat 96 dB(A)

Nivel de sunet garantat 99 dB(A)
 Nesiguranta K= 3 dB(A)

Procedură de evaluare a conformității conform 2000/14/CE Anexa VI.

Organism înștiințat:
 DEKRA Certification B.V. (0344)
 Meander 1051/P.O.Box 5185
 6825 MS ARNHEIM/6802 ED ARNHEIM
 Netherlands

Winnenden, 2019-03-03



Alexander Krug
 Managing Director



Ѓмпутерничит сa елаборезе документаџиa теhничa.

Techtronic Industries GmbH
 Max-Eyth-Straße 10
 71364 Winnenden
 Germany

ТЕХНИЧКИ ПОДАТОЦИ ПЕРФОРАТОР СО ДЛЕТО K 1000 S (220-240 V)

Производен број.....	4555 01 01... ...000001-999999
Определен внес	1750 W
Излез.....	900 W
Јачина на удар максимално под оптоварување	1400-1950 min ⁻¹
Единствена ударна сила според ЕПТА-процедурата 05/2009	26 J
Глава на алатот.....	SDS-MAX
Тежина според ЕПТА-процедурата 01/2014	13,0 kg

Информации за бучавата

Измерените вредности се одредени согласно стандардот EN 60745.

А-оценетото ниво на бучава на апаратот типично изнесува:

Ниво на звучен притисок. (Несигурност K=3dB(A))..... 85 dB (A)
 Ниво на јачина на звук. (Несигурност K=3dB(A))..... 96 dB (A)

Носте штитник за уши.

Информации за вибрации

Вкупни вибрациски вредности (векторски збир на трите насоки) пресметани согласно EN 60745.

Длетување

Вибрациска емисиона вредност a_w..... 6,7 m/s²
 Несигурност K 2 m/s²

ПРЕДУПРЕДУВАЊЕ!

Нивото на осцилација наведено во овие инструкции е измерено во согласност со мерните постапки нормирани во EN 60745 и може да биде употребено за меѓусебна споредба на електро-алати. Ова ниво може да се употреби и за привремена проценка на оптоварувањето на осцилацијата.

Наведеното ниво на осцилација ги репрезентира главните намени на електро-алатот. Но, доколку електро-алатот се употребува за други намени, со отстапувачки додатоци или со несоодветно одржување, нивото на осцилација може да отстапи. Тоа може значително да го зголеми оптоварувањето на осцилацијата за време на целиот работен период.

За прецизна проценка на оптоварувањето на осцилацијата предвид треба да бидат земени и времињата, во коишто апаратот е исклучен или работи, но фактички не се употребува. Тоа може значително да го намали оптоварувањето на осцилацијата за време на целиот работен период

Утврдете дополнителни безбедносни мерки за заштита на операторот од влијанието на осцилациите, како на пример: одржување на електро-алатот и на додатоци кон електро-алатот, одржување топли раце, организација на работните процеси.

▲ ПРЕДУПРЕДУВАЊЕ! Прочитајте ги сите безбедносни упатства, инструкции, илустрации и спецификации за овој електричен алат. Недоследно почитување на подолу наведените упатства може да предизвика електричен удар, пожар и/или сериозни повреди.

Чувајте ги сите предупредувања и упатства за употреба.

▲ БЕЗБЕДНОСНИ ИНСТРУКЦИИ ЗА ПЕРФОРАТОР СО ДЛЕТО

Носете штитник за уши. Изложеноста на бука може да предизвика губење на слухот.

Држете го електричниот алат за издадените површини при изведување на операции при кои алатот за сечење можат да дојдат во контакт со скриени жици. Контакт со жица под напон исто така ќе направи проводници од металните делови и оној кој ракува со алатот ќе доживее струен удар.

Користете помошни рачки кои доаѓаат заедно со алатот. Губењето контрола може да предизвика повреда.

ОСТАНАТИ БЕЗБЕДНОСНИ И РАБОТНИ УПАТСТВА

Употребувајте заштитна опрема. При работа со машината постојано носете заштитни очила. Се препорачува заштитна облека како: маска за заштита од прашина, заштитни ракавици, цврсти чевли што не се лизгаат, кацига и заштита за уши.

Пршината која се создава при користење на овој алат може да биде штетна по здравјето. Не ја вдишувајте. Носете соодветна заштитна маска.

Не смеат да бидат обработувани материјали кои што можат да го загорзат здравјето (на пр. азбест).

Доколку употребуваното орудие се блокира, молиме веднаш да се исклучи апаратот! Не го вклучувајте апаратот повторно додека употребуваното орудие е блокирано; притоа би можело да дојде до повратен удар со висок момент на реакција. Испитајте и отстранете ја причината за блокирањето на употребеното орудие имајќи ги во предвид напомените за безбедност.

Можни причини би можеле да се:

- Закантување во парчето кое што се обработува
- Кршење поради продирање на материјалот кој што се обработува
- Преоптоварување на електричното орудие

Не фаќајте во машината кога работи.

Употребеното орудие за време на примената може да стане многу жешко.

ПРЕДУПРЕДУВАЊЕ! Опасност од изгоретини

- при менување на орудието
- при ставање на апаратот на страна

Чувајте го кабелот за напојување подалеку од работната површина. Секогаш водете го кабелот позади вас.

Кога работите на сидови, таван или под внимавајте да ги избегнете електричните, гасните и водоводни инсталации.

Секогаш кога преземате активности врз машината исклучете го кабелот од струјата.

Секогаш грижете се за безбедна подлога и држете ја машината со двете раце. Држете ги децата и животните далеку од зоната на работа.

По време на работа никогаш не ја насочувајте машината кон луѓето наоколу. Алатот за вметнување може да искочи и да предизвика тешки повреди.

Внимавајте да не ги загорите луѓето со материјалите коишто излегуваат или паѓаат. Секогаш работете многу внимателно и предвидливо.

Оставајте го уредот грижливо. Не го фрлајте на подот или од голема височина. При фрлањето на уредот тој може да повреди други луѓе или да се оштети.

СПЕЦИФИЦИРАНИ УСЛОВИ НА УПОТРЕБА

Чеканот може да се користи за клесање и демолирање.

Не го користете овој производ на било кој друг начин освен пропишаниот за нормална употреба.

ГЛАВНИ ВРСКИ

Уредите кои се користат на многу различни локации вклучувајќи и отворен простор мора да бидат поврзани за струја преку направата за поврзување (FI, RCD, PRCD).

Да се спои само за една фаза AC коло и само на главниот напон наведен на плочката. Можно е исто така и поврзување на приклучок без заземјување доколку изведбата соодветствува на безбедност од 2 класа.

Бидете сигурни дека машината е исклучена пред да ја вклучите во струја.

Овој апарат претставува апарат за професионална употреба, кој може незначително да ги пречекори ориентационите вредности за струјни горни бранови при приклучување на јавната мрежа за низок напон. Затоа пред приклучување на апаратот на јавна мрежа за низок напон по потреба контактирајте со компанијата што е одговорна за вашето напојување со електрична енергија.

ЗАШТИТА ОД ПОВТОРНО ПРИДВИЖУВАЊЕ

Нулниот прекинувач на напонот спречува повторно стартување на машината при дефект на напојувањето. При повторно стартување, исклучете ја машината, па потоа вклучете ја.

ТРАНСПОРТ, РАКУВАЊЕ И СКЛАДИШТЕЊЕ

Машината е тешка. Ако машината падне, има опасност од озбилено повредување.

Машината нема точки за врзување и за подигање.

Подигнете ја машината за дополнителната дршка и ја поставете врз адекватно транспортно средство.

При подигањето, транспортот и складирањето, осигурете ја машината против пресвртување, паѓање или лизгање.

Пред да ја складираате машината, оставете ја да се олади.

Складирајте ја машината на чисто и суво и заштитено од замрзнување место, коешто е недостапно за деца.

ЗАМЕНА НА АЛАТОТ

За замена на алатот види го разделот со илустрации.

Алатот за вметнување мора да биде соодветен за прифат на алатот.

Вратилото на алатот мора да е неоштетно.

Алатот за вметнување мора да биде доволно остар за да избегне отскокнување.

Алатот за вметнување мора да биде соодветен за наменетата употреба.

По вметнувањето на алатот проверете дали е правилно заклучен.

ОДРЖУВАЊЕ

Вентилациските отвори на машината мора да бидат комплетно отворени постојано.

Важна забелешка! Доколку карбонските четкички се истрошени, со цел истите да бидат заменети алатот треба да биде пратен во постпродажниот центар. Ова ќе обезбеди долг употребен век и највисоки перформанси.

Ако приклучниот мрежен вод е оштетен, тој мора да биде заменет од служба за клиенти, бидејќи за тоа е потребен посебен алат.

Користете само Milwaukee додаточи и резервни делови. Доколку некои од компонентите кои не се опишани треба да бидат заменети, Ве молиме контактирајте ги сервисните агенти на Milwaukee (консултирајте ја листата на адреси).

При потреба може да се побара експлозионен цртеж на апаратот со наведување на машинскиот тип и шестоцифрениот број на табличката со учинокот или во Вашата корисничка служба или директно кај Techtronic Industries GmbH, Max-Eyth-Straße 10, 71364 Winnenden, Германија.

СИМБОЛИ



ВНИМАНИЕ! ПРЕДУПРЕДУВАЊЕ!
ОПАСНОСТ!



Извадете го батерискиот склоп пред отпочнување на каков и да е зафат врз машината.



Ве молиме пред да ја стартувате машината обрнете внимание на упатствата за употреба.



Носете ракавици!



Носете штитник за уши.



Секогаш при користење на машината носете ракавици.



Внимание – врели површини!



Гарантираното ниво на звучна моќност на плочката за идентификација изнесува 99 dB.



Електричните апарати и батериите што се полнат не смеат да се фрлат заедно со домашниот отпад. Електричните апарати и батериите треба да се собираат одделно и да се однесат во соодветниот погон заради нивно фрлање во склад со начелата за заштита на околината. Информирајте се кај Вашите местни служби или кај специјализираниот трговски претставник, каде има такви погони за рециклажа и собирни станици.



Европска ознака за сообразност



Regulatory Compliance Mark (RCM).
Производот ги исполнува важечките прописи.



Украинска ознака за сообразност



Евроазиска ознака за сообразност

ЕУ-ДЕКЛАРАЦИЈА ЗА СООБРАЗНОСТ

Во своја сопствена одговорност изјавуваме дека под "Технички податоци" опишаниот производ е во склад со сите релевантни прописи од регулативата 2011/65/EU (RoHS), 2014/30/EU, 2006/42/EC и следните хармонизирачки нормативни документи:

EN 60745-1 :2009+A11:2010
EN 60745-2:6:2010
EN 55014-1:2017
EN 55014-2:2015
EN 61000-3-2:2014
EN 61000-3-3:2013
EN IEC 63000:2018

Измерено ниво на јачина на звук 96 dB(A)

Гарантирано ниво на јачина на звук 99 dB(A)
Несигурност К 3 dB(A)

Процедурата за оценување на сообразноста согласно 2000/14/E3 ќе ја најдете во прилог VI.

Notified Body:
DEKRA Certification B.V. (0344)
Meander 1051/P.O.Box 5185
6825 MS ARNHEIM/6802 ED ARNHEIM
Netherlands

Winnenden, 2019-03-03

Alexander Krug
Managing Director



Ополномоштен за составување на техничката документација.

Techtronic Industries GmbH
Max-Eyth-Straße 10
71364 Winnenden
Germany

ТЕХНІЧНІ ХАРАКТЕРИСТИКИ ВІДБІЙНИЙ МОЛОТОК K 1000 S (220-240 V)

Номер виробу.....	4555 01 01... ...000001-999999
Номінальна споживана потужність.....	1750 W
Віддавана потужність.....	900 W
Кількість ударів під навантаженням макс.	1400-1950 min ⁻¹
Сила окремого удару згідно з процедурою EPTA 05/2009 ..	26 J
Затискач інструмента.....	SDS-MAX
Вага згідно з процедурою EPTA 01/2014	13,0 kg

Інформація про шум

Виміряні значення визначені згідно з EN 60 745.

Рівень шуму "А" приладу становить в типовому випадку:

Рівень звукового тиску (похибка K = 3 дБ(A))	85 dB (A)
Рівень звукової потужності (похибка K = 3 дБ(A))	96 dB (A)

Використовувати засоби захисту органів слуху!**Інформація щодо вібрації**

Сумарні значення вібрації (векторна сума трьох напрямків), встановлені згідно з EN 60745.

Довбання:

Значення вібрації a _w	6,7 m/s ²
похибка K =	2 m/s ²

ПОПЕРЕДЖЕННЯ!

Рівень вібрації, вказаний в цій інструкції, вимірювався згідно з методом вимірювання, нормованим стандартом EN 60745, і може використовуватися для порівняння електроінструментів. Він призначений також для попередньої оцінки навантаження від вібрації.

Вказаний рівень вібрації відповідає основним сферам використання електроінструменту. Але якщо електроінструмент використовується для іншої мети, з іншими вставними інструментами або при недостатньому технічному обслуговуванні, рівень вібрації може бути іншим. Це може значно підвищити навантаження від вібрації за весь період роботи.

Для точної оцінки навантаження від вібрації необхідно також враховувати час, коли прилад вимкнений або увімкнений, але фактично не використовується. Це може значно зменшити навантаження від вібрації за весь період роботи.

Визначте додаткові заходи безпеки для захисту оператора від дії вібрації, наприклад: Технічне обслуговування електроінструменту та вставних інструментів, зігрівання рук, організація робочих процесів.

⚠ УВАГА! Ознайомитися з усіма попередженнями з безпечного використання, інструкціями, ілюстративним матеріалом та технічними характеристиками, які надаються з цим електричним інструментом. Недотримання всіх наведених нижче інструкцій може призвести до ураження електричним струмом, пожежі та/або важких травм.

Зберігати всі попередження та інструкції для використання в майбутньому.

ПРАВИЛА ТЕХНІКИ БЕЗПЕКИ ДЛЯ ВІДБІЙНИХ МОЛОТОКІВ

Користуйтеся засобами захисту органів слуху. Вплив шуму може спричинити втрату слуху.

Тримайте електроінструмент за ізольовані поверхні ручок, коли виконуєте роботу, під час якої вставний інструмент може наштотхнутися на приховані електропроводи. Контакт ріжучого інструменту з лінією під напругою може сприяти виникненню напруги на металевих деталях приладу та призвести до ураження електричним струмом.

Користуйтеся додатковими рукоятками, що поставляються разом з пристроєм, якщо вони входять в комплект поставки. Втрата контролю може призвести до пошкоджень.

ДОДАТКОВІ ІНСТРУКЦІЇ З ТЕХНІКИ БЕЗПЕКИ ТА ЕКСПЛУАТАЦІЇ

Використовуйте індивідуальні засоби захисту. Під час роботи з машиною завжди носити захисні окуляри. Радимо використовувати захисний одяг, як наприклад маску для захисту від пилу, захисні рукавиці, міцне та нековзне взуття, каску та засоби захисту органів слуху.

Пил, що утворюється під час роботи, часто буває шкідливим для здоров'я; він не повинен потрапляти в організм. Носити відповідну маску для захисту від пилу.

Не можна обробляти матеріали, небезпечні для здоров'я (наприклад, азбест).

При блокуванні вставного інструменту негайно вимкнути прилад! Не вмикайте прилад, якщо вставний інструмент заблокований; при цьому може виникати віддача з високим зворотнім моментом. Визначити та усунути причину блокування вставного інструменту з урахуванням вказівок з техніки безпеки.

Можливі причини:

- Перекіс в заготовці, що обробляється
- Пробивання оброблюваного матеріалу
- Перевантаження електроінструмента

Частини тіла не повинні потрапляти в машину, коли вона працює.

Вставний інструмент може нагріватися під час роботи.

ПОПЕРЕДЖЕННЯ! Небезпека опіків

- при заміні інструменту
- при відкладанні приладу

З'єднувальний кабель завжди тримати за межами радіуса дії машини. Вести кабель завжди позаду машини.

Під час роботи на стінах, стелях або підлозі звертати увагу на електричні кабелі, газові та водопровідні лінії.

Перед будь-якими роботами на машині витягнути штекер із штепсельної розетки.

При роботі прийняти стійке положення, завжди тримати прилад обома руками за дві рукоятки. В робочій області не повинні знаходитися інші особи - перш за все діти - або тварини.

Не направляйте інструмент під час роботи на людей, що знаходяться поруч. Робочий інструмент може вилетіти і нанести важкі травми.

Стежте за тим, щоб ніхто не поранився об залишки матеріалу, що були викинуті або випали. Під час роботи будьте уважні й обачні.

Обережно поводьтеся з інструментом. Не кидайте його на підлогу або на іншу поверхню з великої висоти. При цьому інструмент може травмувати людей або пошкодитися сам.

ВИКОРИСТАННЯ ЗА ПРИЗНАЧЕННЯМ

Відбійний молоток можна використовувати для довбання каменю та бетону

Цей прилад можна використовувати тільки за призначенням так, як вказано в цьому документі.

ПІДКЛЮЧЕННЯ ДО МЕРЕЖІ

Штепсельні розетки за межами приміщень та на вологих ділянках повинні бути оснащені автоматичним запобіжним вимикачем, який спрацьовує при появі струму витоку (FI, RCD, PRCD). Для цього необхідні монтажні інструкції для вашої електричної системи. Майте це на увазі при користуванні нашим приладом.

Підключати лише до однофазного змінного струму і напруги мережі, які вказані на фірмовій табличці з паспортичними даними. Можливе підключення також до штепсельних розеток без захисного контакту, адже конструкція має клас захисту II.

Підключати пристрій до штепсельної розетки лише вимкнутим.

Цей прилад для професійного використання, він може трохи перевищувати нормативні показники для вищих гармонік струму при підключенні до низьковольтної мережі загального користування. Тому перед підключенням приладу до низьковольтної мережі загального користування зв'яжіться, у разі необхідності, з вашою організацією енергопостачання.

ЗАХИСТ ВІД ПОВТОРНОГО ЗАПУСКУ

Автоматичний вимикач при зниженні напруги запобігає повторному запуску машини після збою електроживлення. При відновленні роботи вимкнути та знов увімкнути машину.

ТРАНСПОРТУВАННЯ, ОБСЛУГОВУВАННЯ, ЗБЕРІГАННЯ

Інструмент має велику вагу. При його падінні існує небезпека важких травм.

Інструмент не має спеціальних такелажних точок підйому.

Підняти інструмент за додаткову рукоятку й укласти на відповідний транспортний засіб.

При підйомі, транспортуванні і зберіганні захищати інструмент від перевертання, падіння або зісковзування.

Перед прийомом інструменту на зберігання дочекатися, доки він охолоне.

Зберігати інструмент в чистому, сухому, захищеному від морозу, закритому місці, недоступному для дітей.

ЗМІНА РОБОЧОГО ІНСТРУМЕНТУ

Зміна робочого інструменту, див. мал.

Робочий інструмент має співпадати із затиском для інструменту.

Хвостовик робочого інструменту має бути непошкодженим.

Робочий інструмент має бути досить гострим щоб уникнути ударів із відскоком.

Робочий інструмент повинен відповідати запланованій меті використання.

Після встановлення робочого інструменту перевірити надійність його кріплення.

ОБСЛУГОВУВАННЯ

Завжди підтримувати чистоту вентиляційних отворів.

При зношенні вугільних щіток додатково до заміни щіток необхідно виконати сервісне обслуговування в сервісному центрі. Це підвищує термін експлуатації машини та гарантує постійну готовність до експлуатації.

Якщо мережевий кабель живлення пошкоджений, то його повинна замінити сервісна служба, щоб уникнути небезпеки.

Використовувати тільки комплектуючі та запчастини Milwaukee. Деталі, заміна яких не описується, замінювати тільки в відділі обслуговування клієнтів Milwaukee (зверніть увагу на брошуру "Гарантія / адреси сервісних центрів").

У разі необхідності можна запросити креслення з зображенням вузлів машини в перспективному вигляді, для цього потрібно звернутися в ваш відділ обслуговування клієнтів або безпосередньо в Techtronic Industries GmbH, Max-Eyth-Straße 10, 71364 Winnenden, Німеччина, та вказати тип машини та шестизначний номер на фірмовій табличці з даними машини.

СИМВОЛИ

УВАГА! ПОПЕРЕДЖЕННЯ! НЕБЕЗПЕЧНО!

	Перед будь-якими роботами на машині вийняти змінну акумуляторну батарею
	Уважно прочитайте інструкцію з експлуатації перед введенням приладу в дію.
	Носити захисні рукавиці!
	Використовувати засоби захисту органів слуху!
	Під час роботи з машиною завжди носити захисні окуляри.
	Увага — гарячі поверхні!
	Відповідно до заводської таблички гарантований рівень звукової потужності становить 105 dB.
	Електроприлади, батареї/акумулятори заборонено утилізувати разом з побутовим сміттям. Електричні прилади і акумулятори слід збирати окремо і здавати в спеціалізовану компанію для утилізації відповідно до норм охорони довкілля. Зверніться до місцевих органів або до вашого дилера, щоб отримати адреси пунктів вторинної переробки та пунктів прийому.
	Європейський знак відповідності
	Знак відповідності встановленим нормам (RCM). Продукт відповідає діючим нормам.
	Український знак відповідності
	Євразійський знак відповідності

СЕРТИФІКАТ ВІДПОВІДНОСТІ ВИМОГАМ ЄС

Ми заявляємо на власну відповідальність, що виріб, описаний в "Технічних даних", відповідає всім застосовним положенням директиви 2011/65/EU (RoHS), 2014/30/EU, 2006/42/EG та наступним гармонізованим нормативним документам:

EN 60745-1 :2009+A11:2010
EN 60745-2-6:2010
EN 55014-1:2017
EN 55014-2:2015
EN 61000-3-2:2014
EN 61000-3-3:2013
EN IEC 63000:2018

Вимірюваний рівень звукової потужності 96 dB(A)

Гарантований рівень звукової потужності 99 dB(A)
похибка K = 3 dB(A)

Порядок оцінки відповідності згідно з 2000/14/ЄС
Додаток VI.

Уповноважений орган:
DEKRA Certification B.V. (0344)
Meander 1051/P.O.Box 5185
6825 MS ARNHEIM/6802 ED ARNHEIM
Netherlands

Winnenden, 2019-03-03

Alexander Krug
Managing Director



Уповноважений із складання технічної документації.

Techtronic Industries GmbH
Max-Eyth-Straße 10
71364 Winnenden
Germany

إعلان المطابقة - الإتحاد الأوروبي

بموجب هذا نقر على مسؤوليتنا المنفردة، أن المنتج المذكور الموصوف تحت "البيانات الفنية" يلي جميع التعليمات الهامة الخاصة بالمعايير 2011/65/EU (RoHS), 2014/30/EU, 2006/42/EG ويتطابق مع وثائق المعايير المتوافقة التالية:

EN 60745-1 :2009+A11:2010
EN 60745-2-6:2010
EN 55014-1:2017
EN 55014-2:2015
EN 61000-3-2:2014
EN 61000-3-3:2013
EN IEC 63000:2018

مستوى شدة الصوت الذي تم قياسه. 96 dB(A)

مستوى شدة الصوت خلال فترة الضمان 99 dB(A)
الارتياح في القياس 3 dB(A)

عملية تقييم التوافق تمت تبعاً للمعايير EG/2000/14 مرفق IV.

الجهات المعتمدة دولياً:

(DEKRA Certification B.V. (0344)
Meander 1051/P.O.Box 5185
MS ARNHEIM/6802 ED ARNHEIM 6825
Netherlands

Winnenden, 2019-03-03



Alexander Krug
Managing Director

معتمدة للمطابقة مع الملف الفني

Techtronic Industries GmbH
Max-Eyth-Straße 10
Winnenden 71364
Germany

إنتاج عدد.....	4555 01 01... ..
الدخل المقدر	1750 W
الخرج	900 W
معدل الجفر بالذق تحت أقصى حمل.....	1400-1950 min ⁻¹
طاقة التأثير لكل شوط طبقاً لإجراء EPTA رقم 05/2009	26 J
استقبال الآلة	SDS-MAX
الوزن وفقاً لنهج EPTA رقم 01/2014	2,7 kg

معلومات الضوضاء

القيم التي تم قياسها محددة وفقاً للمعايير الأوروبية EN 60 745 مستويات ضوضاء الجهاز، ترجيحاً أ بشكل نموذجي كالتالي:

مستوى ضغط الصوت (الارتياح في القياس = 3 ديسيبل (A))	85 dB (A)
مستوى شدة الصوت (الارتياح في القياس = 3 ديسيبل (A))	96 dB (A)

ارتد و أقيات الأذن!

معلومات الاهتزاز

قيم الذبذبات الإجمالي (مجموع الكميات الموجهة في المحاور الثلاثة) محددة وفقاً للمعايير الأوروبية EN 60745.

الذبح:

قيمة انبعاث الذبذبات (a _h)	6,7 m/s ²
الارتياح في القياس	2 m/s ²

تحذير!

تم قياس مستوى انبعاث الذبذبات الموجود بثوثية المعلومات هذه وفقاً للاختبار القياسي وفقاً للمعايير الأوروبية EN 60745 ويمكن استخدامه لمقارنة جهاز بغيره. كما يمكن استخدامه لعرض تقييم تمهيدي.

يمثل مستوى انبعاث الذبذبات المعلن عنه تطبيقات الجهاز الرئيسية. بالرغم من ذلك، فإنه إذا ما تم استخدام الجهاز لتطبيقات مختلفة، بملحقات مختلفة أو لم يتم المحافظة عليه، فقد يختلف انبعاث الذبذبات. قد يزيد ذلك بصورة كبيرة من مستوى التعرض للذبذبات طوال فترة العمل الإجمالية.

يجب الوضع في الاعتبار عند تقدير مستوى التعرض للذبذبات مرات إيقاف الجهاز أو تشغيله لكن دون استخدامه في القيام بمهمة. فقد يقلل ذلك بصورة كبيرة من مستوى التعرض للذبذبات طوال فترة العمل الإجمالية.

تعرف على معايير السلامة الإضافية لحماية المشغل من آثار الذبذبات مثل: صيانة الجهاز والملحقات، الحفاظ على دفة الأيدي، وتنظيم نماذج العمل.

⚠️ إرشادات الأمان لمطرقة الهمد الكهربائية

ارتد و أقيات الأذن. قد يسبب التعرض للضوضاء فقدان السمع.

إن ملامسة أسلاك "موصلة للكهرباء" سوف يجعل الأجزاء المعدنية المكشوفة للآلة الكهربائية "موصلة للكهرباء" مما يجعل المشغل عرضة لصدمة كهربائية.

استخدم المقابض الإضافية، إذا كانت مرفقة مع الأداة. قد يسبب فقدان السيطرة حدوث إصابة شخصية.

⚠️ إرشادات أمان وعمل إضافية

استخدم معدة الوقاية. ارتد دائماً نظارة الوقاية عند العمل بالآلة. ينصح باستخدام الملابس الواقية مثل الكمادات الواقية من الغبار، والقفازات، والأحذية القوية غير المنزلقة، والخوذات، وواقيات الأذن.

قد تكون الأثرية الناتجة عن استخدام هذه الآلة ضارة بالصحة. لا تستنشق هذه الأثرية. ارتد قناعاً واقياً من الأثرية مناسباً.

لا يجوز استخدام مواد ينجم عنها أضرار على الصحة (حريز صخري).

الرجاء إيقاف تشغيل الجهاز على الفور في حالة عرقلة أداة الاستعمال! لا تقم بتشغيل الجهاز مرة أخرى، طالما أن الأداة المستعملة لازالت في حالة عرقلة؛ حيث يمكن أن يحدث هنا ارتداد عكسي مصحوب بقوة رد فعل عالية. قم بالبحث وإزالة أسباب عرقلة أداة الاستعمال مع مراعاة تعليمات الأمان.

من المحتمل أن تكون الأسباب هي:

- أندحار في القطعة المخصصة للاستعمال
- اختراق المواد المخصصة للاستعمال
- زيادة الحمل على الآلة الكهربائية

لا تلامس بيديك الماكينة أثناء دورانها.

الأداة المستخدمة قد تسخن خلال الاستخدام.

تحذير! هناك خطر الإصابة بحروق

قم بالتوصيل بتيار متردد أحادي الطور ونظام الجهد الكهربائي المحدد على لوحة الجهد المقتن فقط. يمكن أيضاً التوصيل بالمقابس غير المؤرصة حيث يتطابق التصميم مع معايير سلامة الفئة الثانية لحماية الأجهزة الكهربائية.

تأكد من إيقاف تشغيل الآلة قبل توصيلها بالمقابس الكهربائي.

يعد هذا جهازاً للاستخدام الاحترافي الذي قد يتجاوز إلى حد ما القيم الإرشادية عند توصيله بمصدر إمداد الموصلات الكهربائية العامة منخفضة الجهد. لذلك يجب عليك الاتصال بشركة الإمداد بالطاقة قبل توصيل الجهاز بمصدر إمداد للموصلات الكهربائية العامة منخفضة الجهد.

انقطاع تيار إعادة التشغيل

يمنع المفتاح الذي ليس به جهد كهربائي الآلة من إعادة التشغيل بعد انقطاع الطاقة. عند استئناف العمل بالآلة، أوقف الآلة ثم أعد تشغيلها مجدداً.

النقل والمناولة والتخزين

الماكينة ثقيلة الوزن. هناك خطر إصابة شديدة إذا سقطت الماكينة.

الماكينة لا تتمتع بنقطة رفع أو ربط

أرفع الماكينة من المقبض الإضافي وضعها على وسيلة نقل مناسبة.

قم بتأمين الماكينة عند الرفع أو النقل أو التخزين ضد السقوط جانبياً أو السقوط لأسفل أو الإنزلاق.

اترك الماكينة دائماً تبرد قبل تخزينها.

أحفظ الماكينة في مكاناً مغلقاً نظيفاً يتمتع بالحماية من الصقيع وجافاً وبعيداً عن متناول الأطفال.

استبدال الأداة

استبدال أداة الاستخدام، انظر الجزء الخاص بالصور.

يجب أن تكون أداة الاستخدام مناسبة لتقبل الأداة.

يجب أن يكون عمود أداة الاستخدام ليس به أضرار.

يجب أن تكون أداة الاستخدام حادة بشكل كافي، ليتم تجنب ضربات الصدما.

يجب أن تكون أداة الاستخدام مناسبة لغرض الاستعمال المخطط إجرائه.

بعد تركيب أداة الاستخدام قم بالتأكد، عما إذا كان تم إحكام الغلق بشكل صحيح.

الصيانة

يجب أن تكون فتحات تهوية الجهاز نظيفة طوال الوقت.

ملاحظة هامة! إذا تآكلت الفرش الكربونية، يجب بالإضافة إلى استبدال الفرش أن ترسل الأداة إلى خدمة ما بعد البيع. سوف يضمن هذا عمراً أطول للأداة ويمنحك أفضل مستوى من الأداء.

في حالة تلف كبل الطاقة في هذا الجهاز، يجب استبداله فقط بواسطة ورشة تصليح يحددها المصنِّع لتجنب المواقف التي تتسم بالمخاطرة.

استخدم فقط ملحقات ميلوكي وكذلك قطع غيار ميلوكي. إذا كانت المكونات التي يجب تغييرها غير مذكورة، يرجى الاتصال بأحد عملاء صيانة ميلوكي (انظر قائمة عناوين الضمان/الصيانة الخاصة بنا).

عند الحاجة يمكن طلب رمز انفجار الجهاز بعد ذكر طراز الآلة والرقم السداسي المذكور على بطاقة طاقة الآلة لدى جهة خدمة العملاء أو مياثرة لدى شركة

Techtronic Industries GmbH

Max-Eyth-Straße 10

71364 Winnenden

ألمانيا

تنبيه! تحذير! خطر!

قم بإزالة حزمة البطارية قبل البدء في أي أعمال على الجهاز.

يرجى قراءة التعليمات بعناية قبل بدء تشغيل الجهاز.

ارتد القفازات!

ارتد و أقيات الأذن!

ارتد دائماً نظارات الوقاية عند استخدام الجهاز.

تحذير - سطح ساخن!

مستوى الضوضاء المضمون تبعاً للائحة الطراز يبلغ 99 ديسيبل.

يحظر التخلص من الأجهزة الكهربائية والبطاريات/البطاريات القابلة للشحن في القمامة المنزلية. يجب جمع الأجهزة الكهربائية والبطاريات القابلة للشحن منفصلة وتسليمها للتخلص منها بشكل لا يضر بالبيئة لدى شركة إعادة استغلال. الرجاء الاستفسار لدى الهيئات المحلية أو لدى التجار المتخصصين عن مواقع إعادة الاستغلال ومواقع الجمع.

علامة التوافق الأوربية

علامة الامتثال للوائح (RCM). المنتج مطابق لمتطلبات اللائحة.

علامة التوافق الأوكرانية

علامة التوافق الأوربية الآسيوية

 KOMFORT

Copyright 2019
Techtronic Industries GmbH
Max-Eyth-Straße 10
71364 Winnenden
Germany
+49 (0) 7195-12-0



(03.19)

4931 4149 53