

## Data sheet

# Butterfly valves gear box VFY-WG, VFY-LG

### Description





### Main data:

- Spline driven one piece shaft connected to spherically machined disc allows high torque transmission i.e. quick response and minimum back-lash;
- Long term reliability due to upper and lower anti-friction bearings;
- Safe maintenance : shaft blow out protection with circlip;
- Body types : available wafer style with 4 centering lugs and lugged style with tapped lugs;
- Body materials : Cast iron EN GJL 250 (DIN GG25);
- Operating position vertical and horizontal;
- 16 bar version;
- Padlockable hand lever with 10 positions.

### Ordering

#### Butterfly valves with gear box

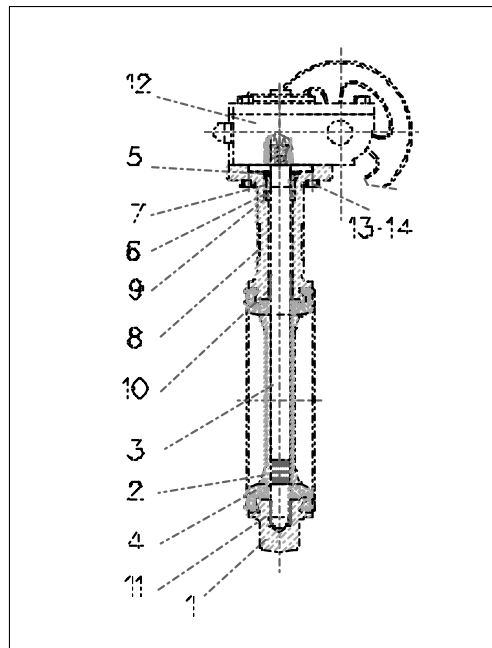
Type	DN	$k_{vs}$ (m <sup>3</sup> /h)	PN	T <sub>max.</sub>	Code No.
 <b>Wafer type VFY-WG</b>	150	1212	16	120 °C	<b>065B7361</b>
	200	2500	16		<b>065B7362</b>
	250	3948	16		<b>065B7363</b>
	300	5635	16		<b>065B7364</b>
 <b>Lug type VFY-LG</b>	150	1212	16	120 °C	<b>065B7376</b>
	200	2500	16		<b>065B7377</b>
	250	3948	16		<b>065B7378</b>
	300	5635	16		<b>065B7379</b>

Technical data

Type	<b>VFY-WG</b> (Centering lugs)	<b>VFY-LG</b> (Tapped lugs)
Mounting	mounting between flanges	mounting deadline
DN	DN 150 ... DN 300	
Leakage rate	Acc. to PED 97/23/CE, EN 12266-1, Rate A*	
Pressure rating	16 bar	
Medium temperature	-10 ... +120 °C	
Medium	Chiled water 35% Glicol, Hot water	
Body material	Cast iron EN GJL 250 (DIN GG25)	
Flange ISO	Acc. to ISO 5211 and NF E 29-402 standards	

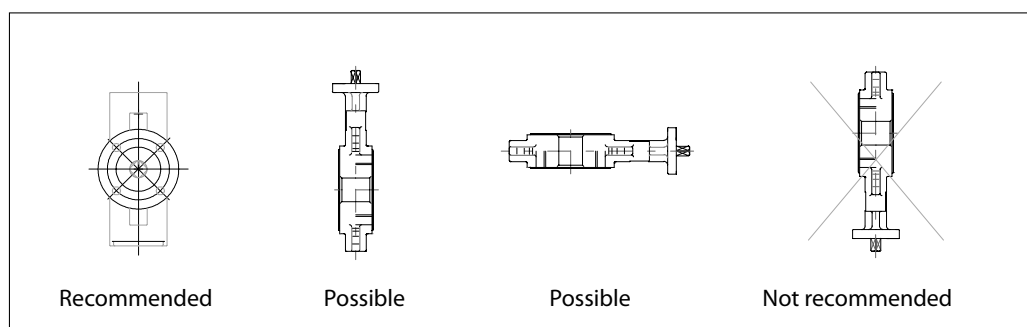
\* No visible defectable leakage during the testing procedure

Design



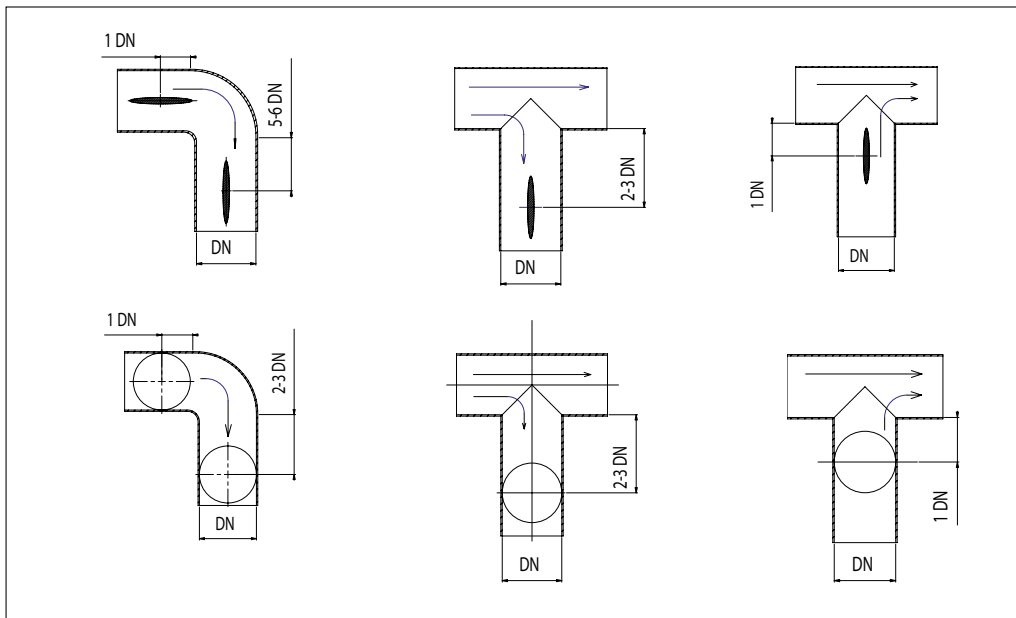
	Description	Material
1	Body	Cast iron EN GJL 250 (DIN GG25)
2	Disc	Ductile iron EN GJS 400-15 (DIN GGG 40)
3	Shaft	Shaft AISI 420
4	Linear	EPDM
5	Circlips	Steel XC 75 / Stainless steel
6	O'Ring	Nitrile/Viton
7	Bush	IXEF
8	Metal tag	Aluminium
9	Safety bush	SS 304 L
10	Upper guide bush	Zinc coated S. +PTFE
11	Lower guide bush	Zinc coated S. +PTFE
12	Gear box	Cast iron
13	Screw	Zinc coated steel
14	Stop washer	Zinc coated steel

Installation positions

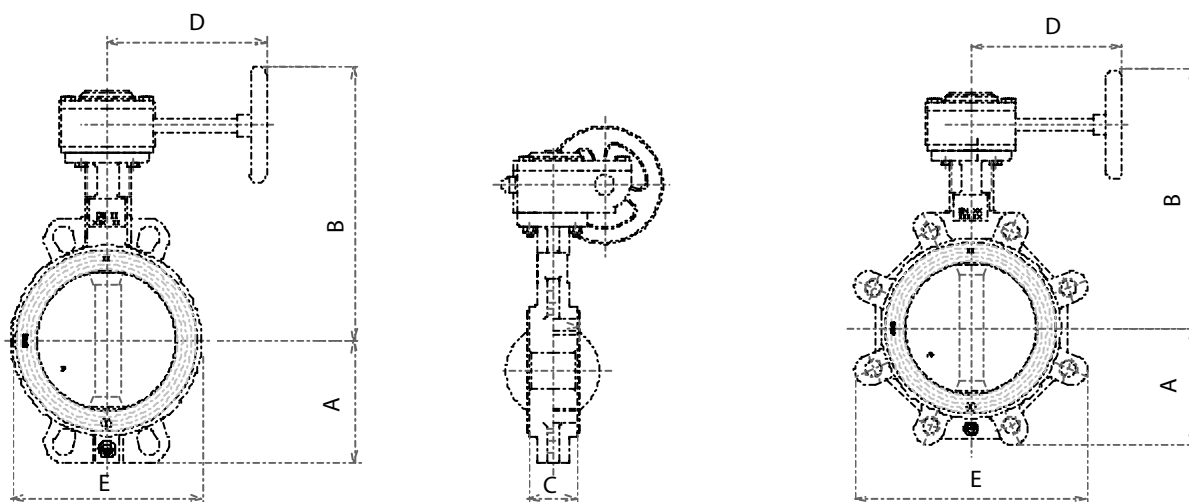


Installation conditions

It is recommended that the distances indicated below be respected in order to prolong the life of the valve. Mounting the valve close to pipework junctions places it in turbulent zones and increases wear.



Dimensions



DN	A (mm)	B (mm)	C (mm)	D (mm)	E (mm)	Weight (kg)	
						Wafer type	Lug type
150	132	294	56	171	206	10.6	14.2
200	164	374	60	188	265	18.1	24.5
250	200	469	68	341	318	30.8	35.8
300	238	494	78	341	371	40.8	49.8

---

Danfoss can accept no responsibility for possible errors in catalogues, brochures and other printed material. Danfoss reserves the right to alter its products without notice. This also applies to products already on order provided that such alterations can be made without subsequential changes being necessary in specifications already agreed. All trademarks in this material are property of the respective companies. Danfoss and the Danfoss logotype are trademarks of Danfoss A/S. All rights reserved.

---

