

**ADAPTERKIT  
SERIES VLB891**

**ESBE**  
NO.1 IN HYDRONIC SYSTEM CONTROL



Series VLB891



ALD140, ALD240



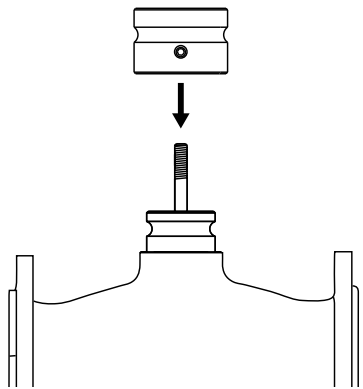
VLB891



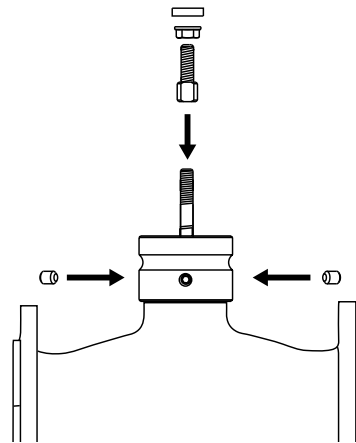
VLB325, VLB35

Mtrl.nr: 9814 09 35 • Ritn.nr: 3894 utg. A • Rev. 1506

**1**



**2**



**3**

