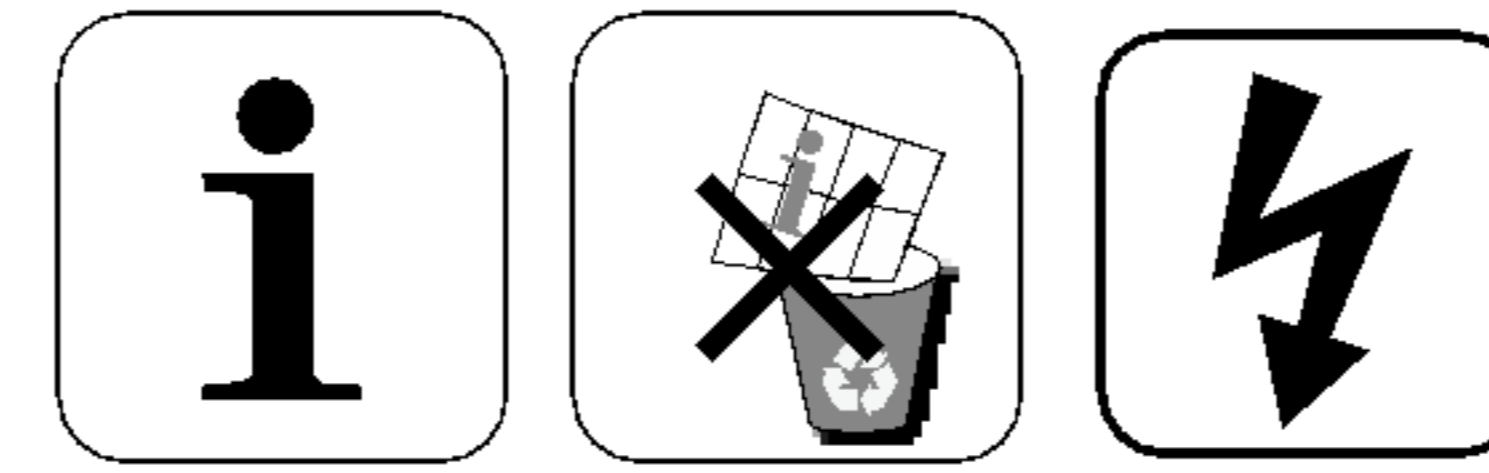




www.esbe.se

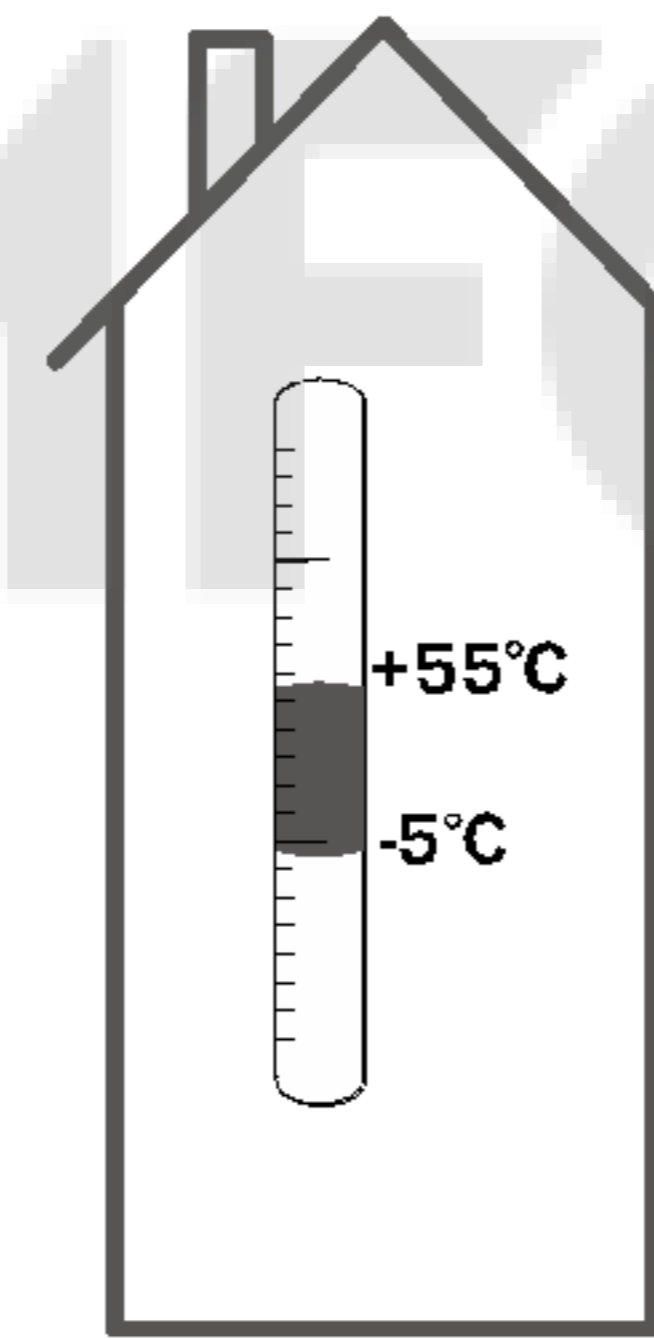


NO.1 IN HYDRONIC SYSTEM CONTROL



Series CRA120

CE



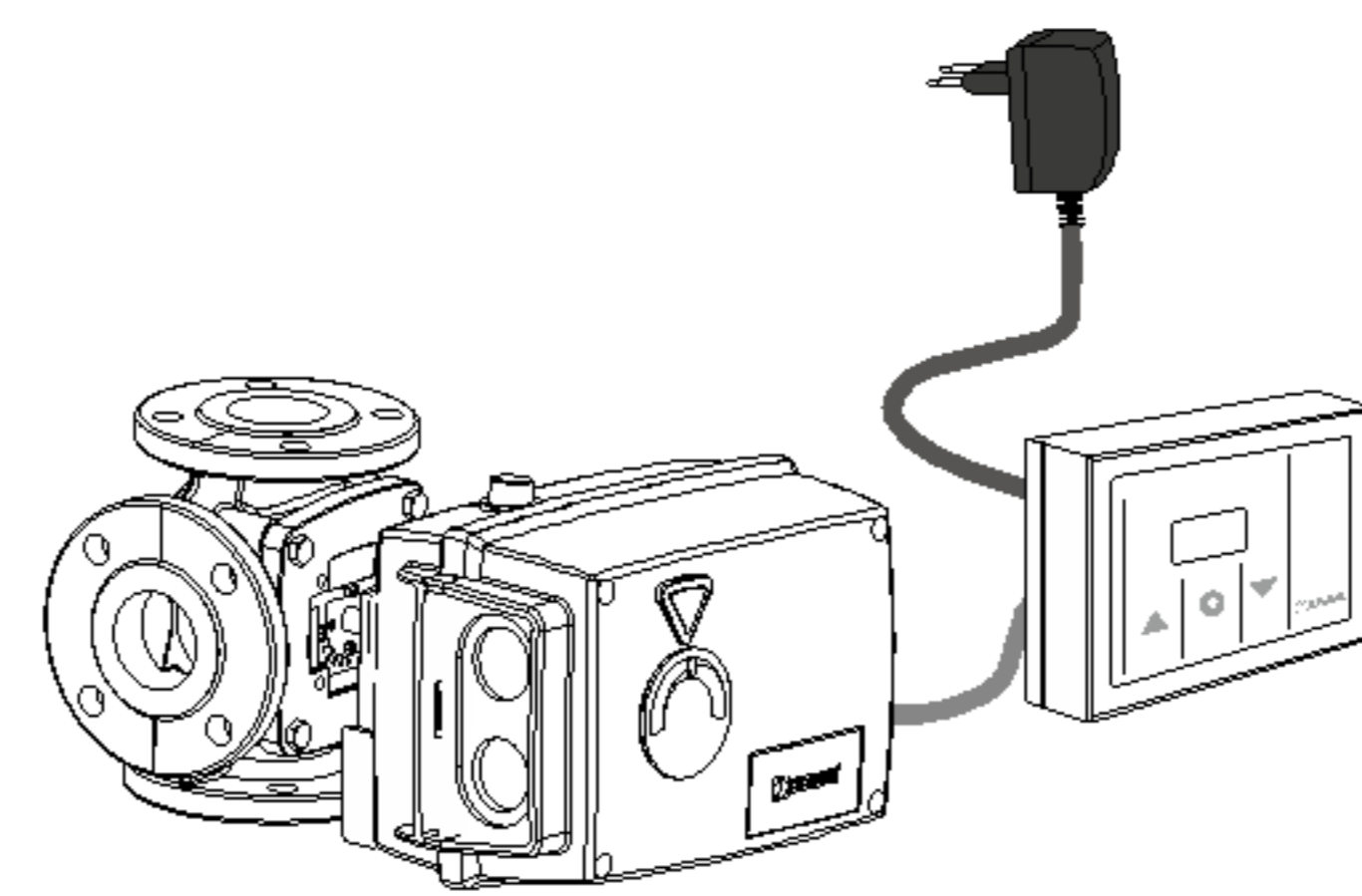
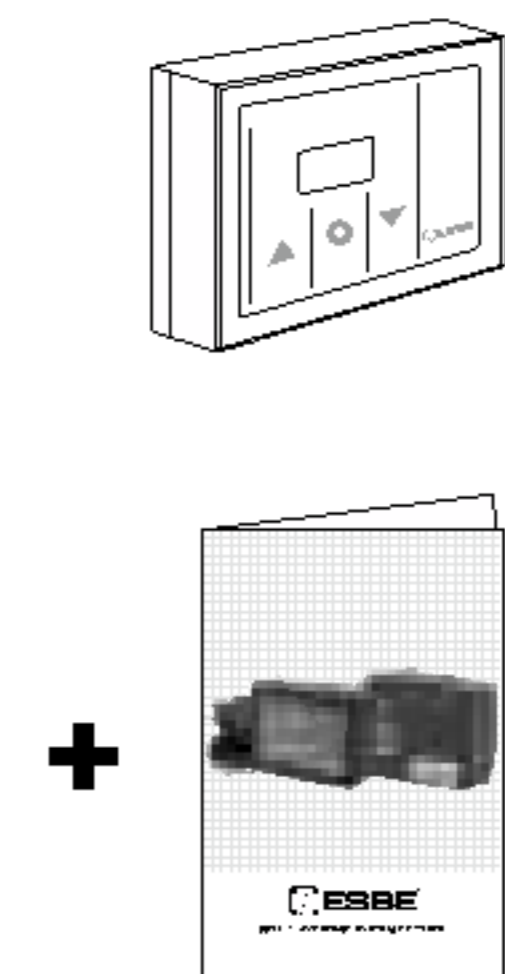
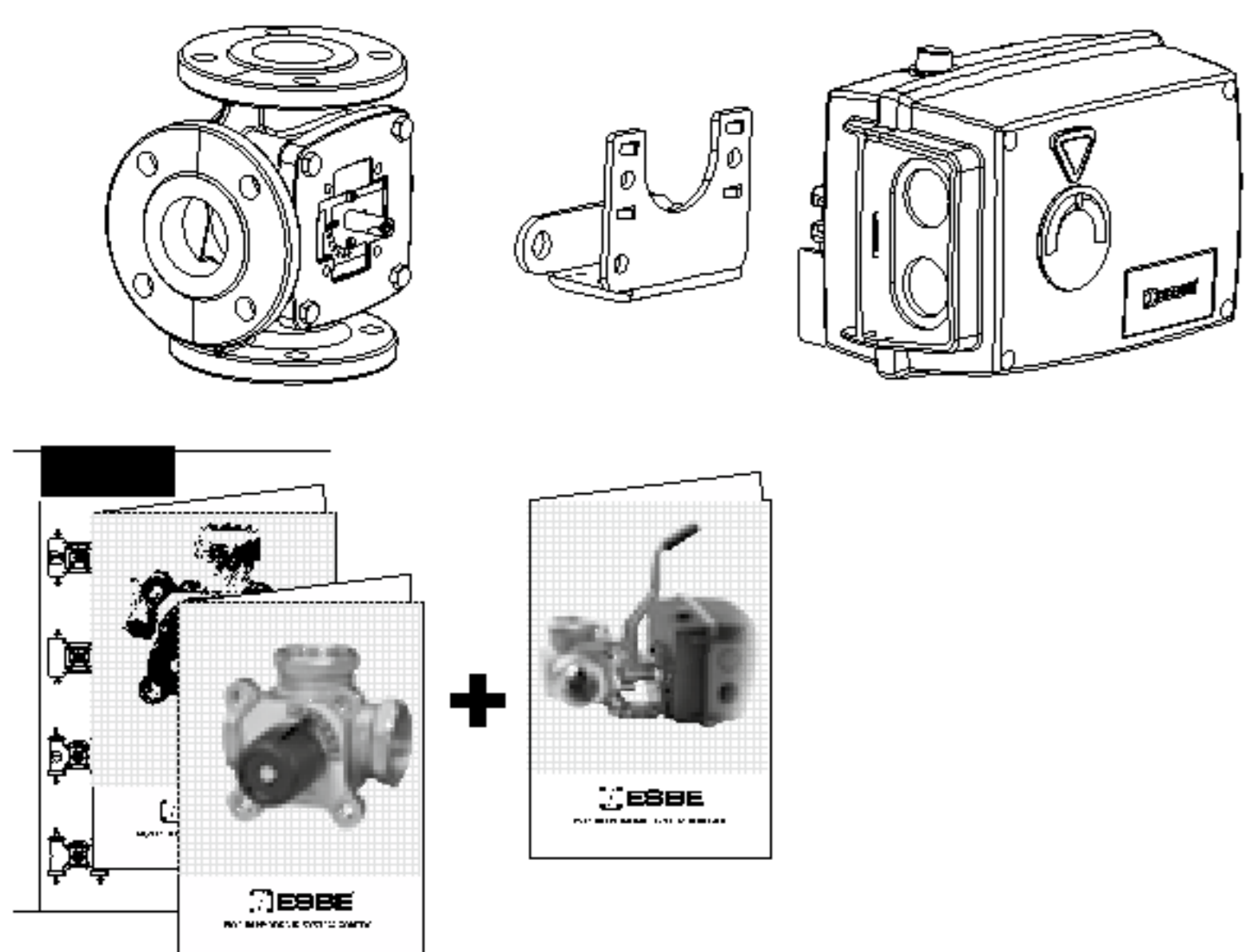
Mtrl.nr. 9814 03 92 • Ritnr. 9212 utg. B • Rev. 1012



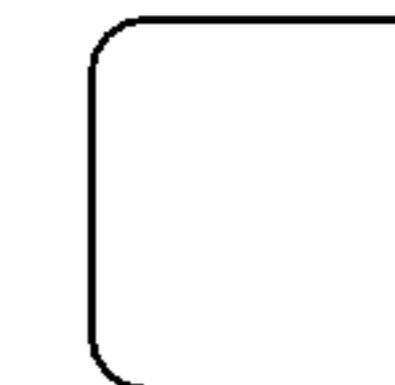
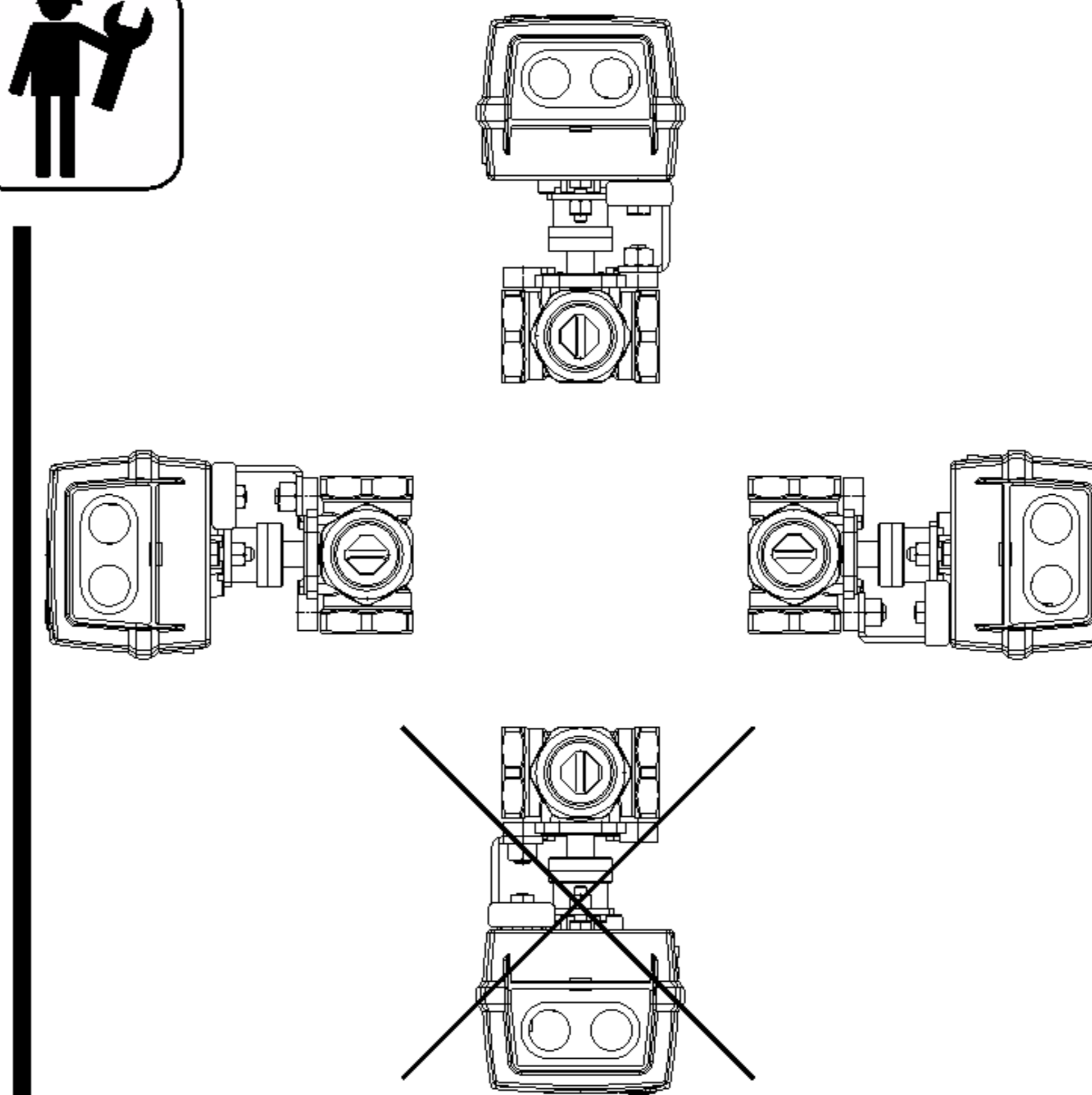
1

2

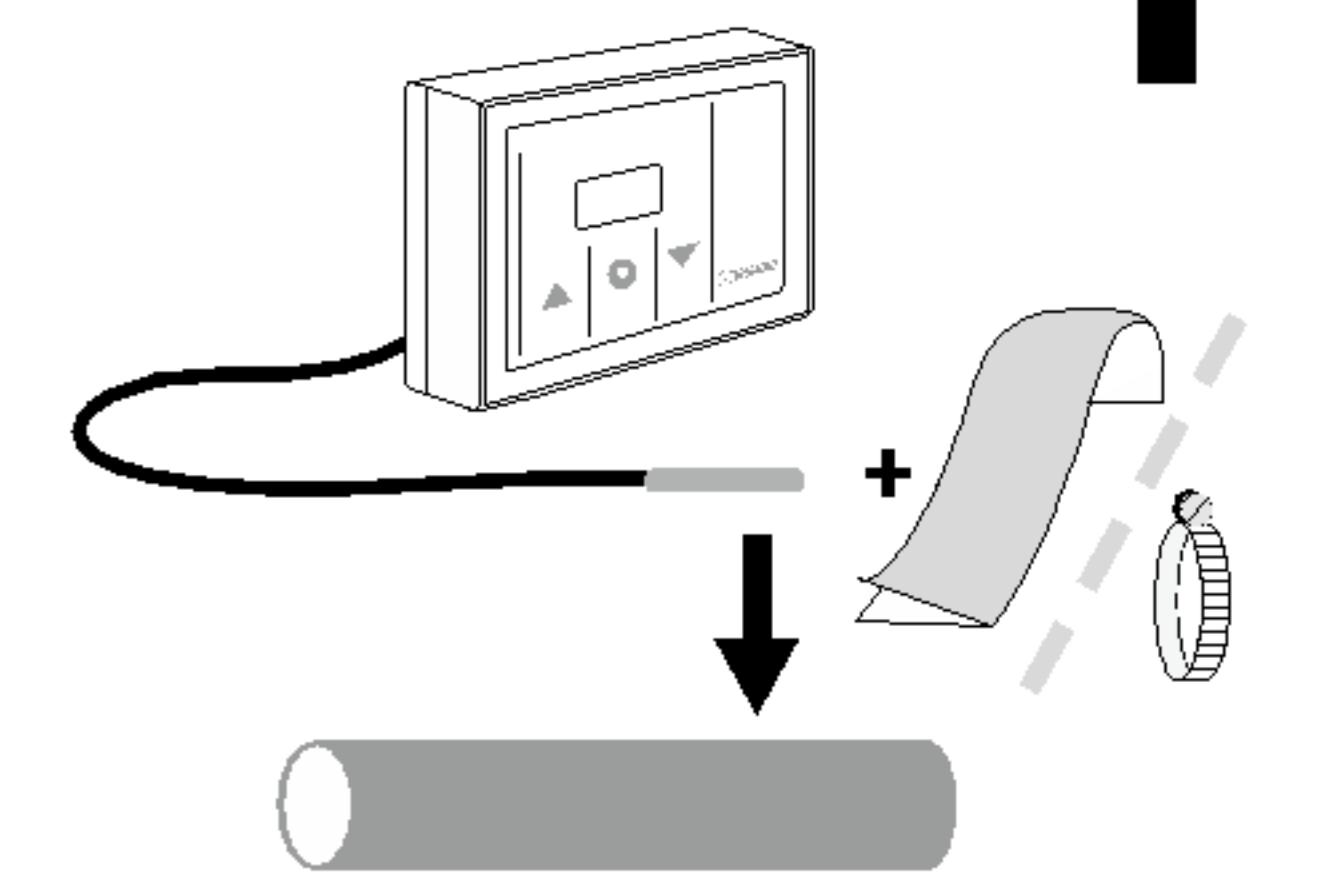
3



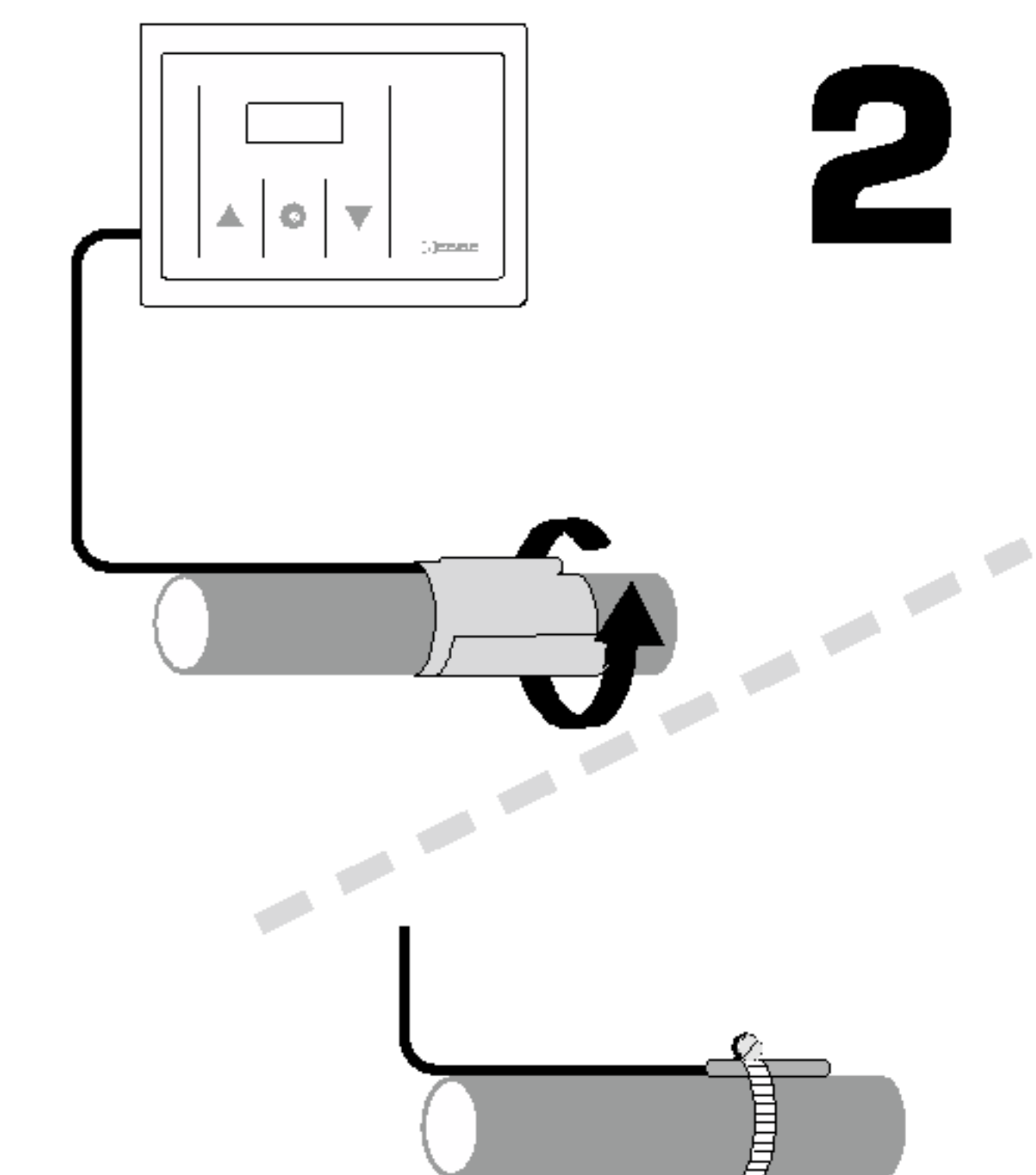
1

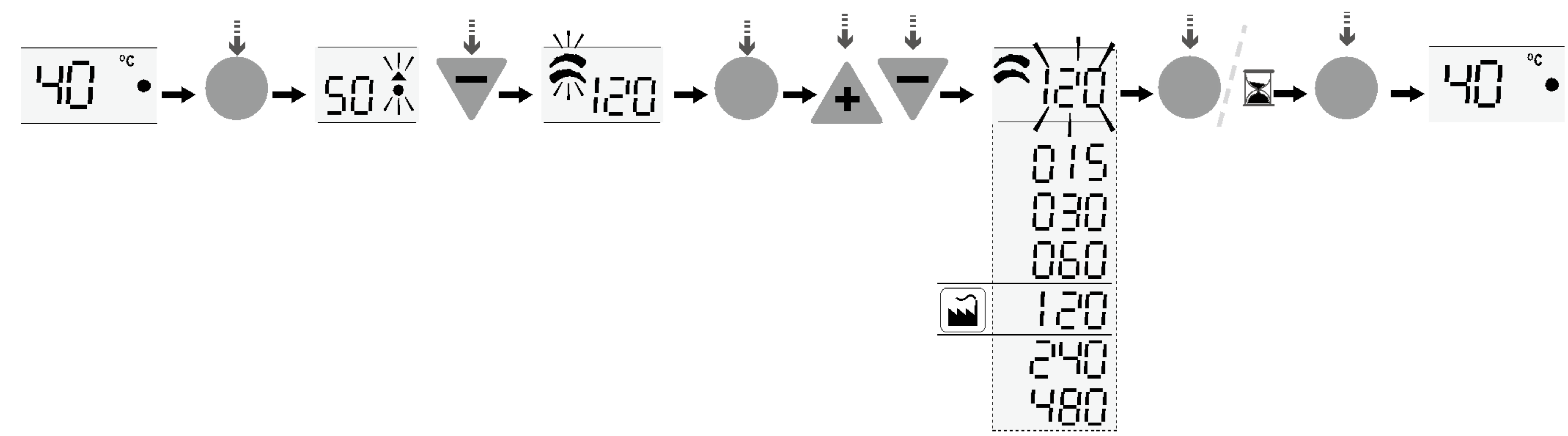
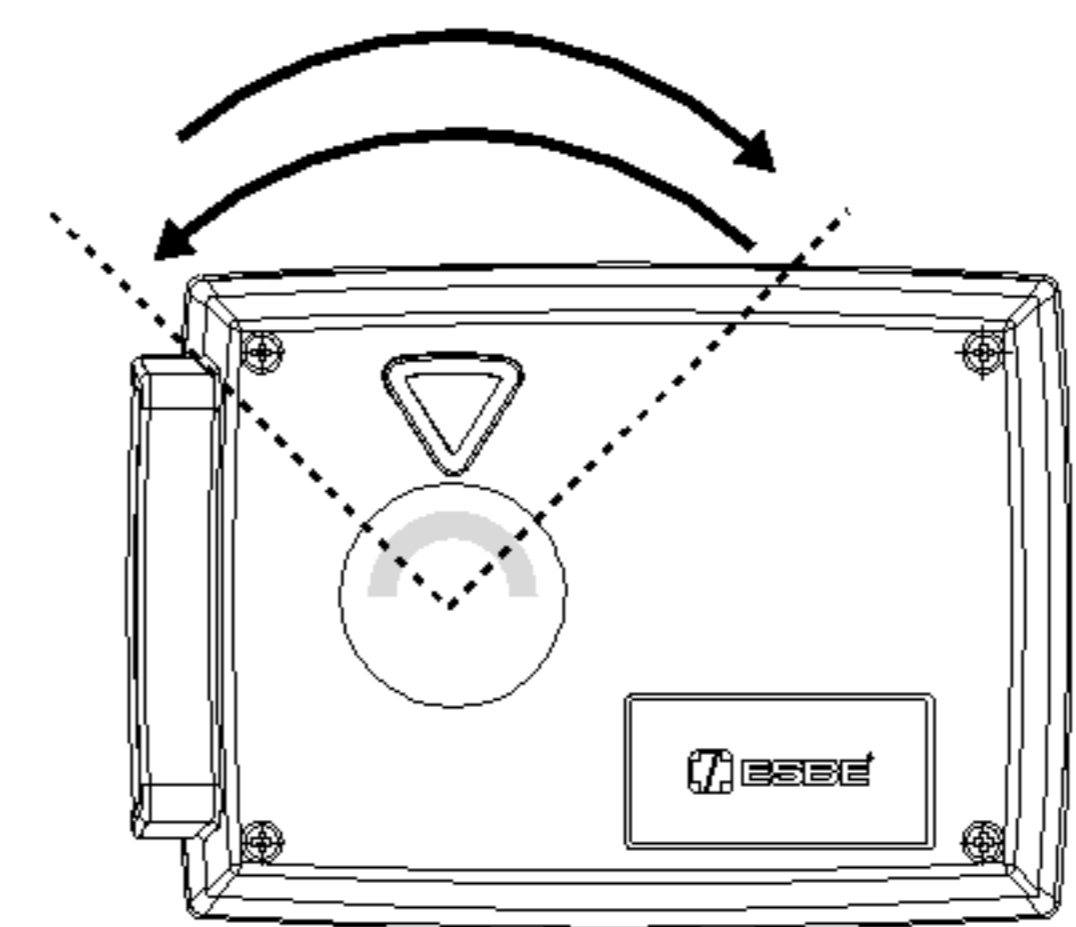
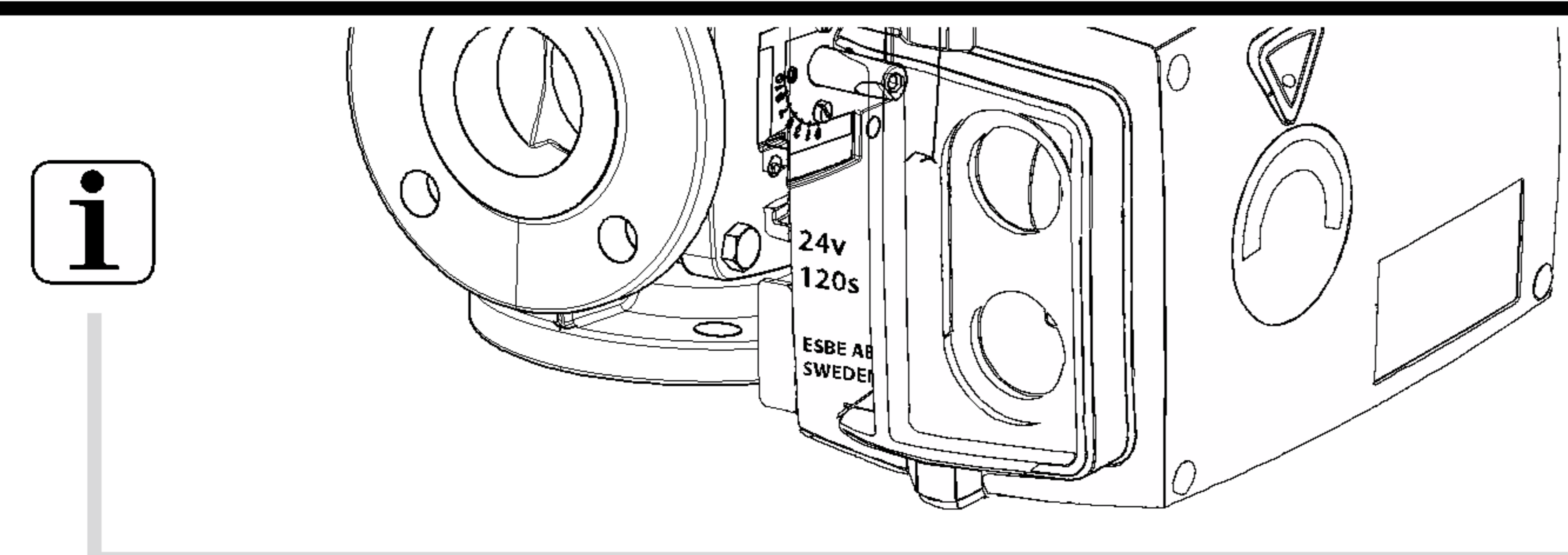
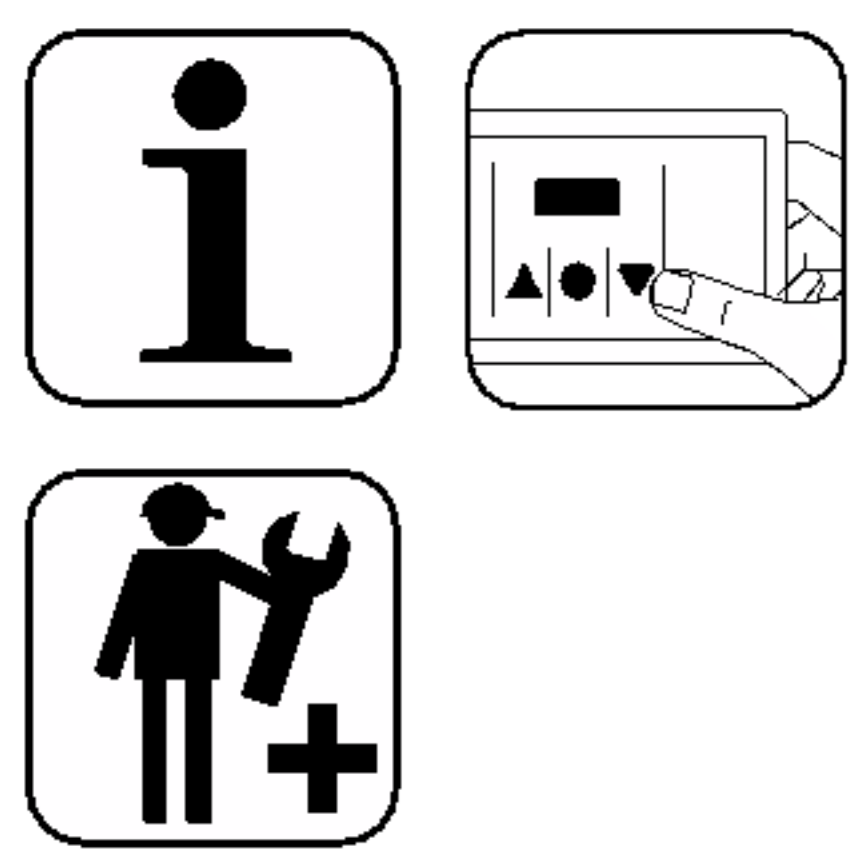
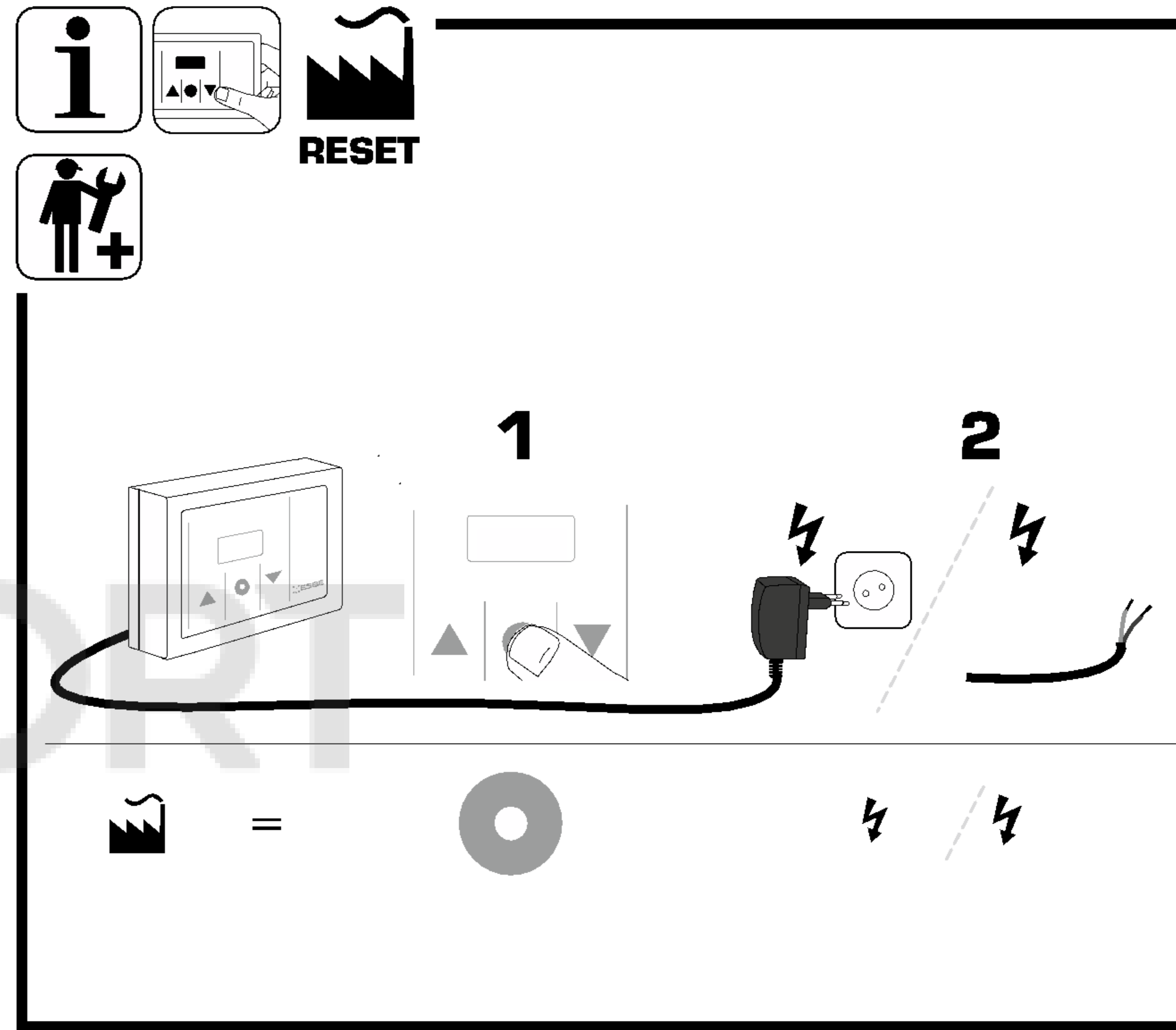
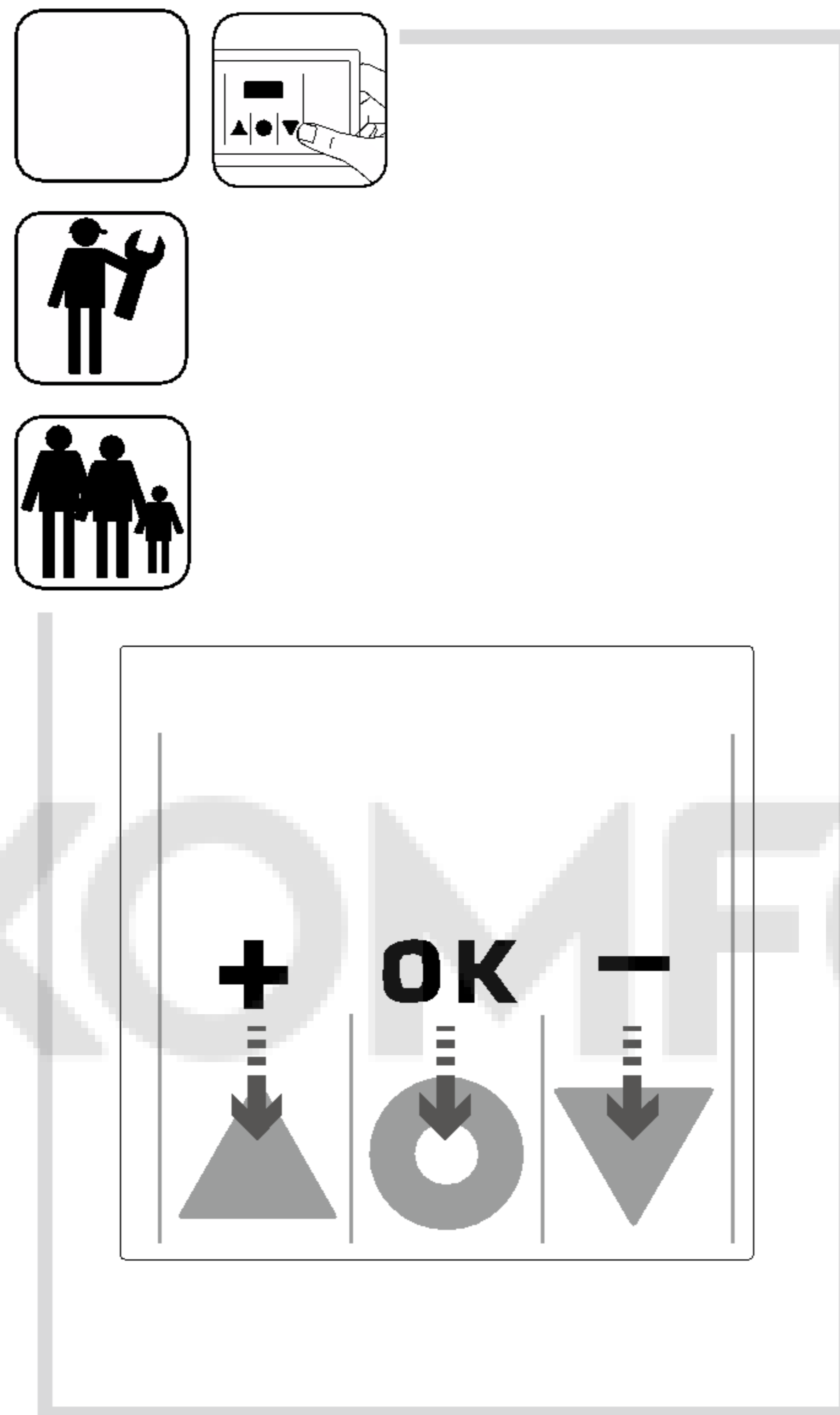
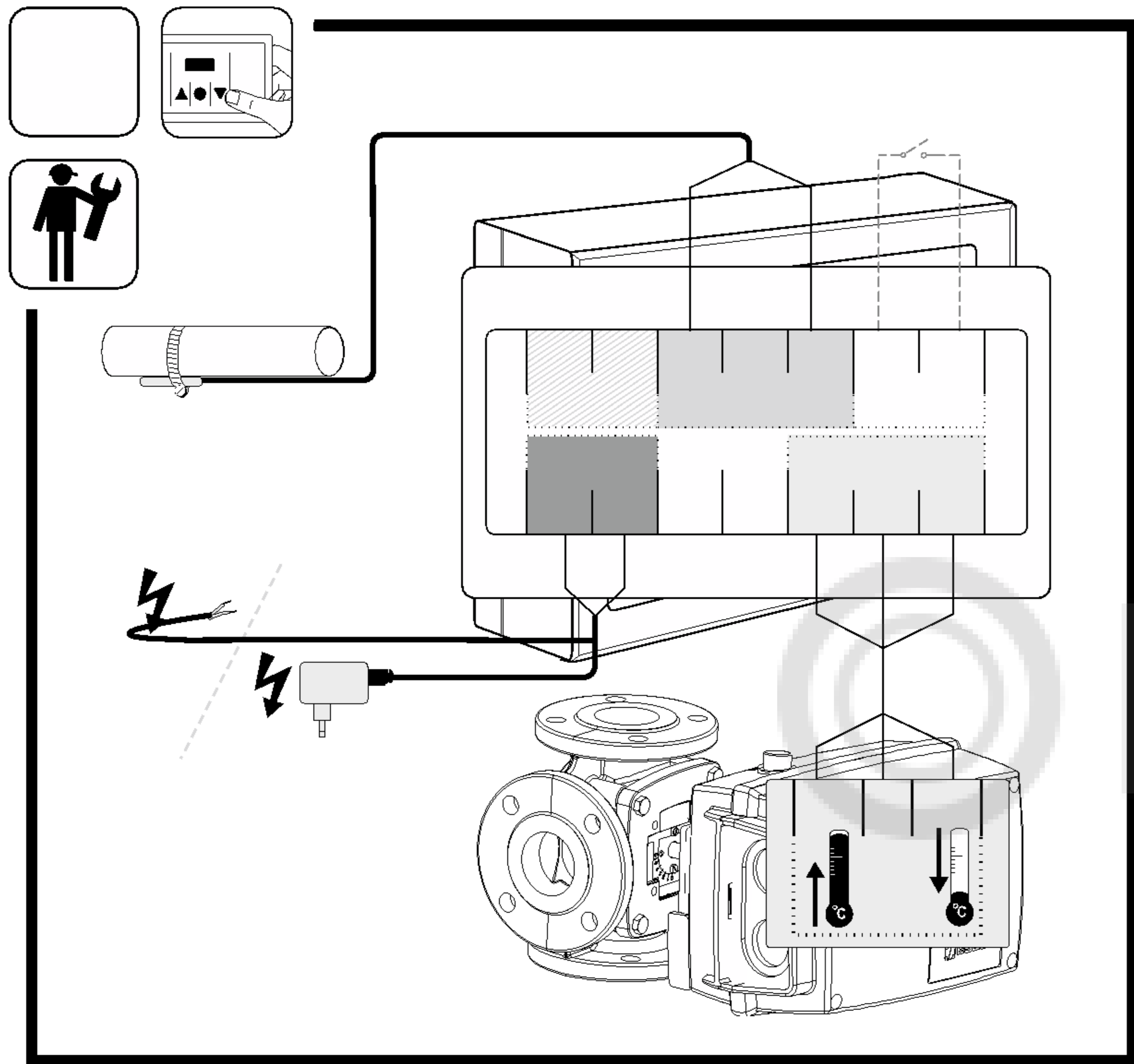


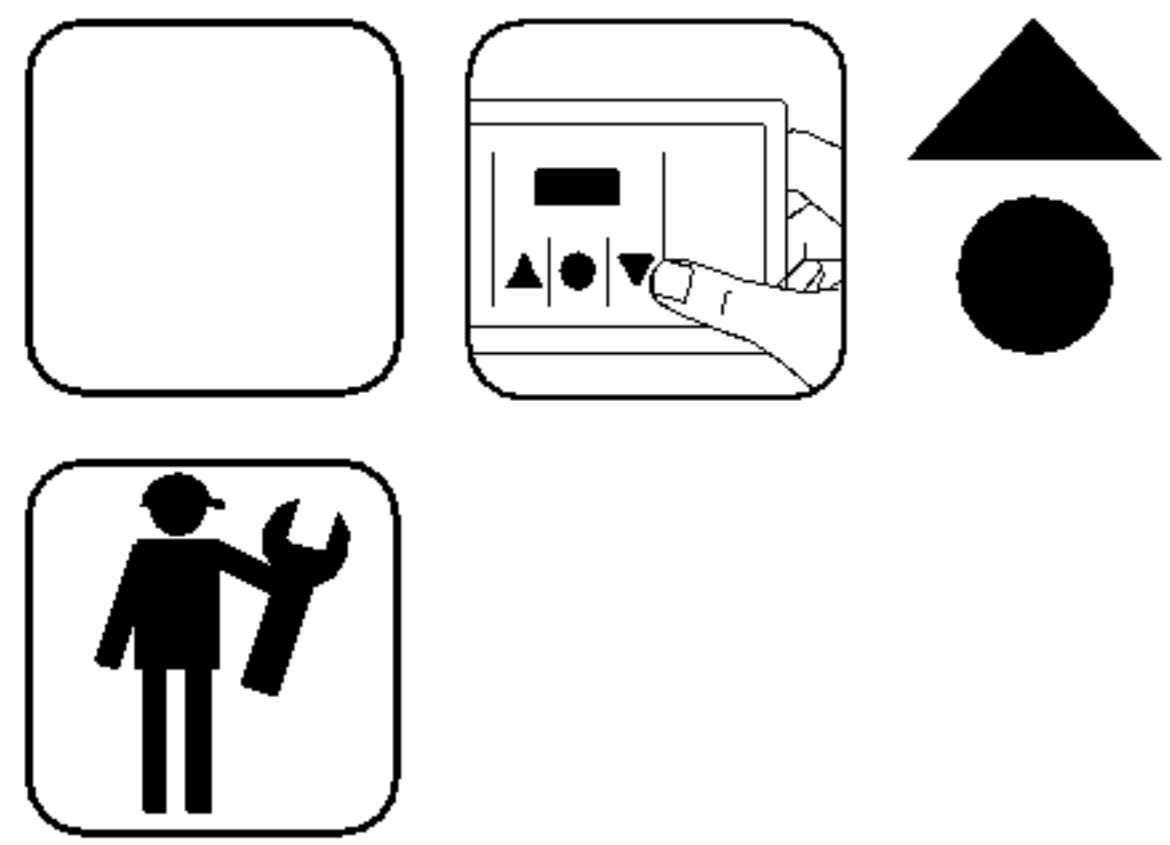
1



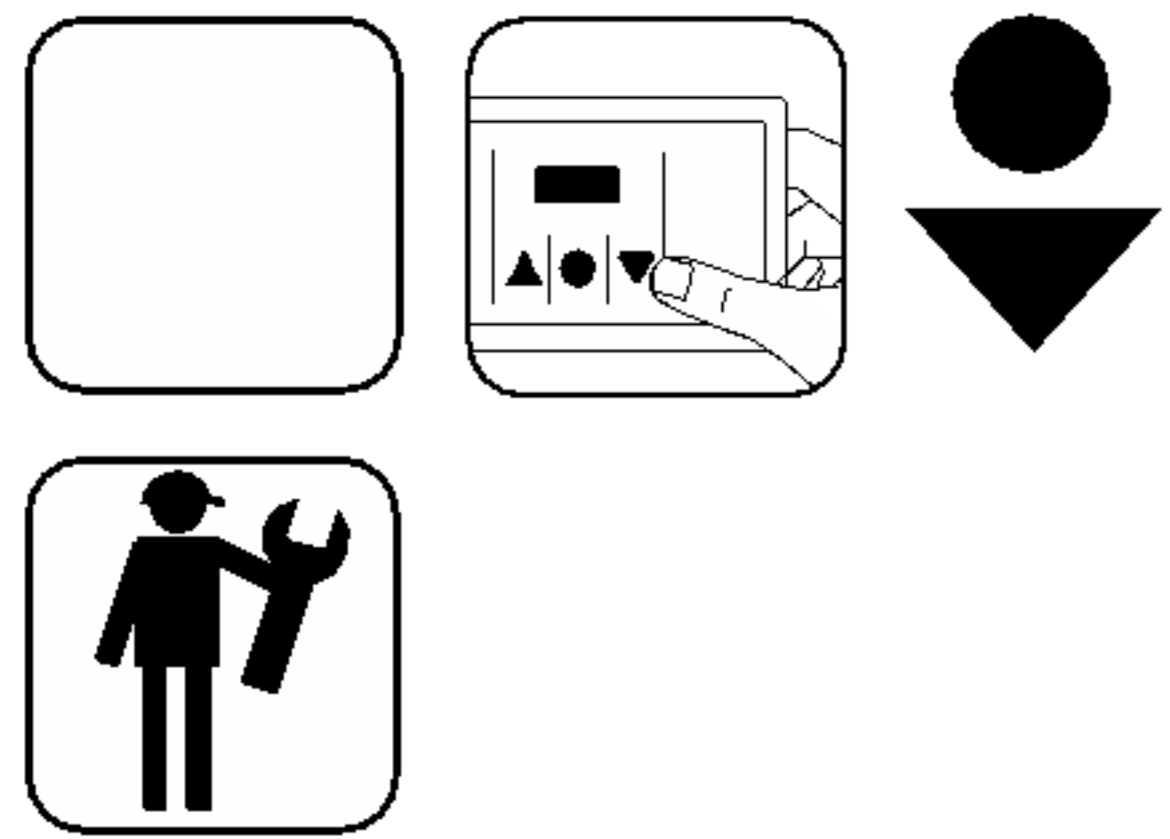
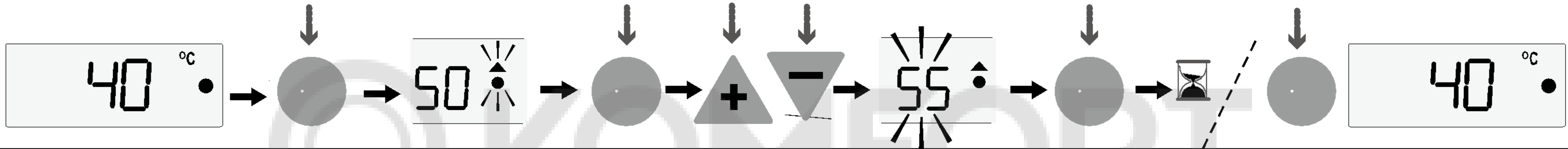
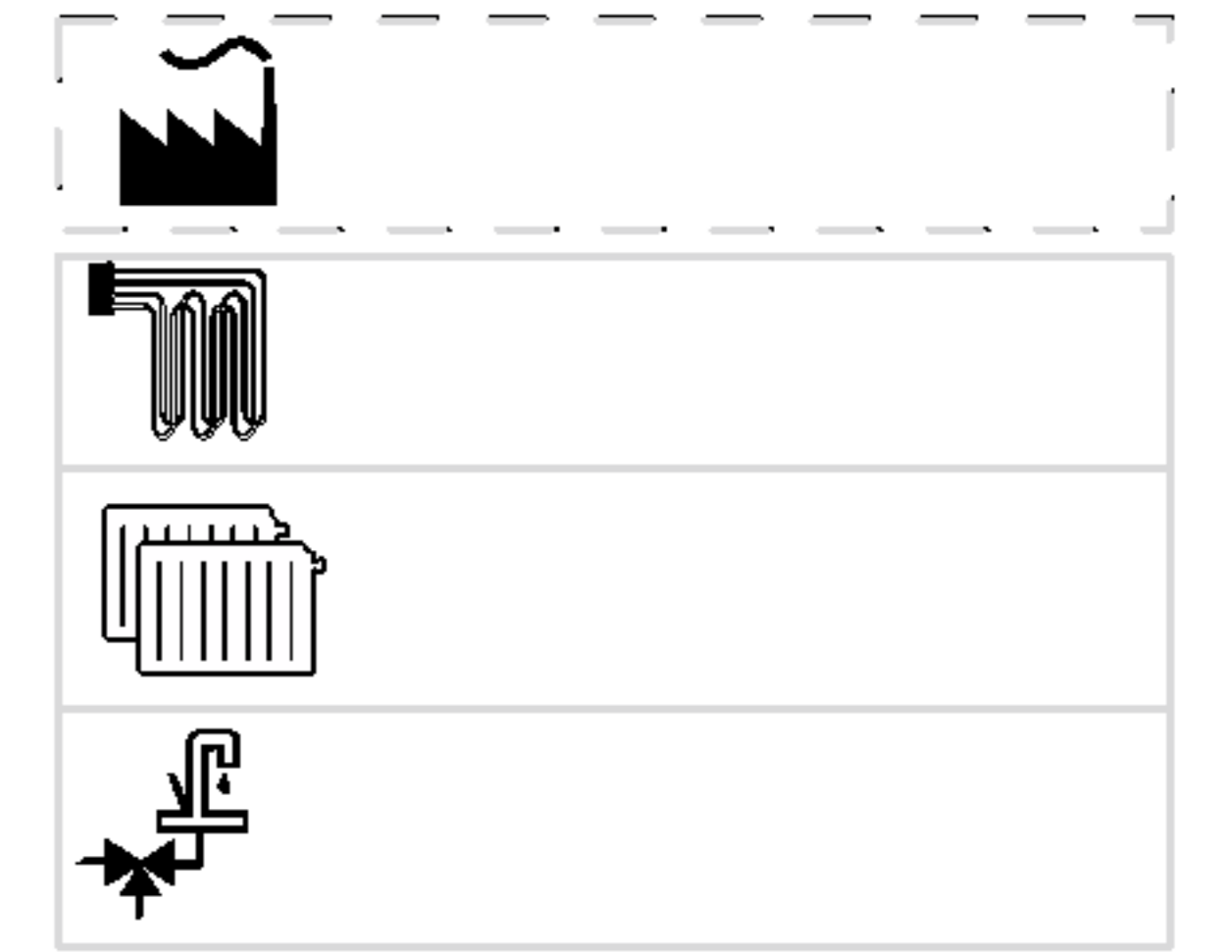
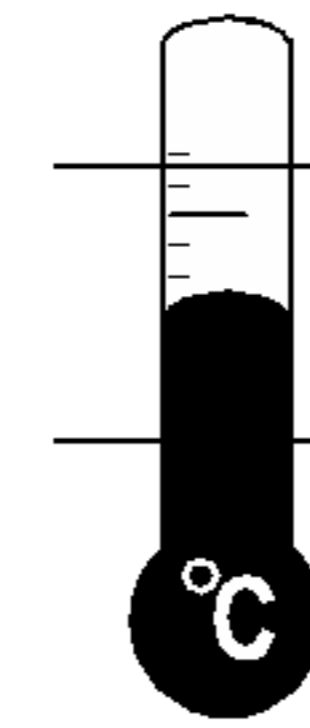
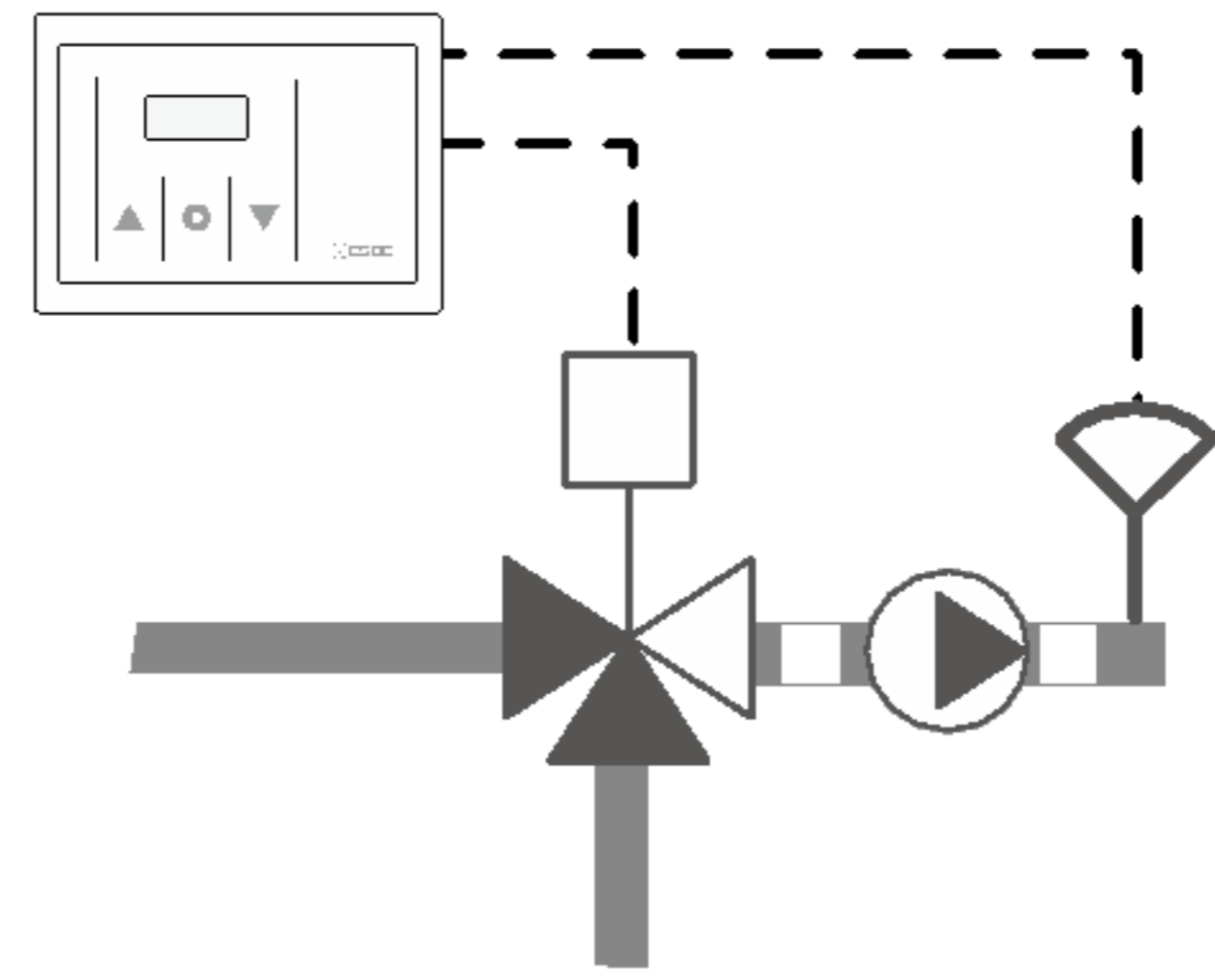
2



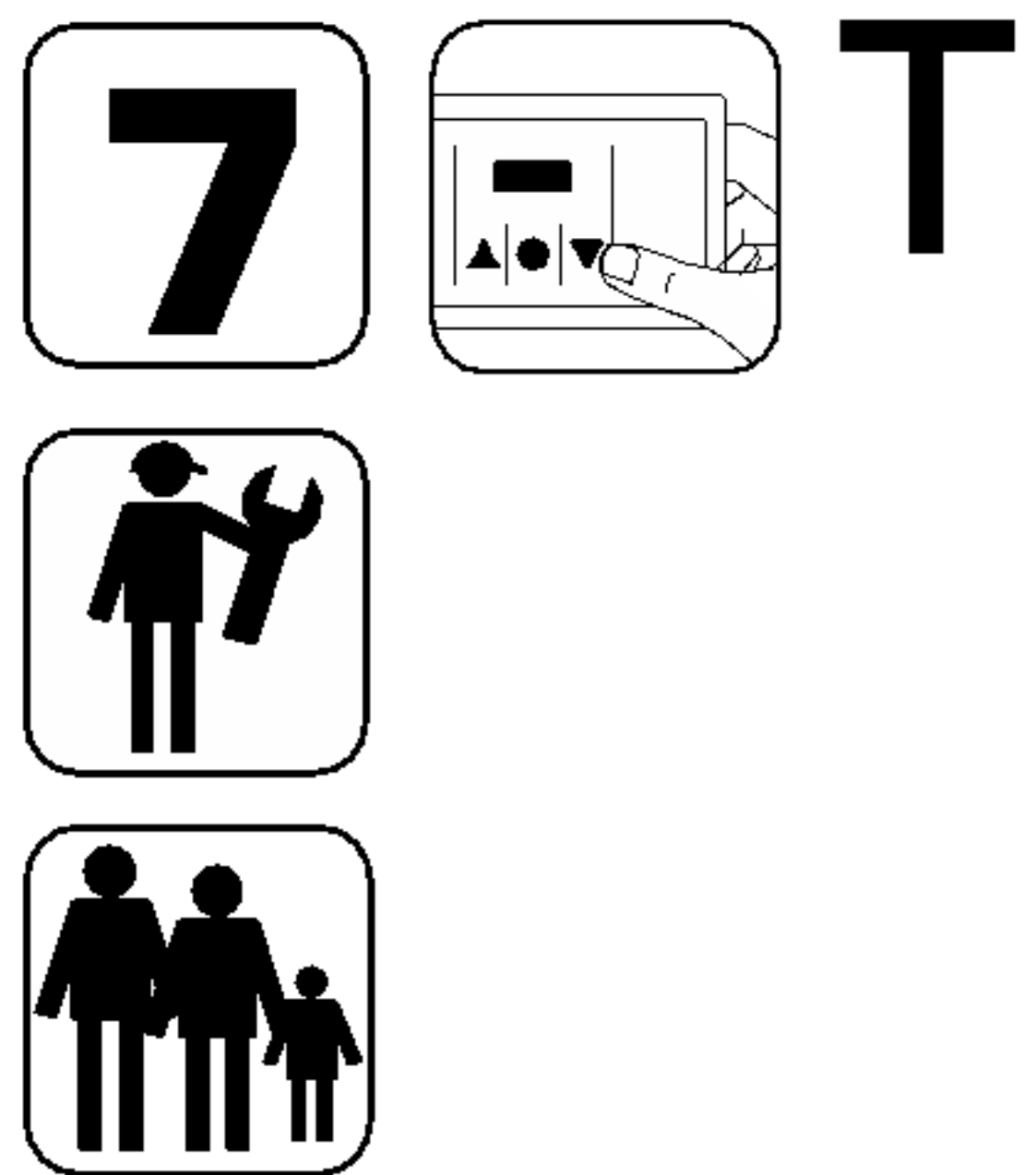
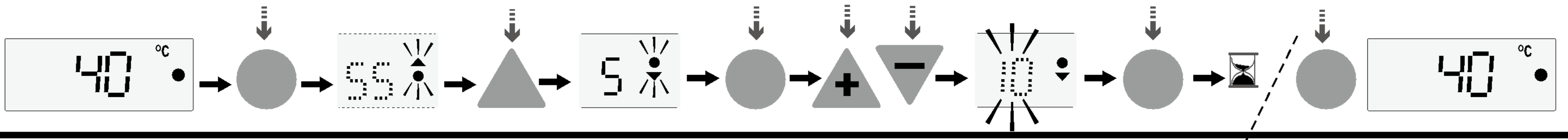
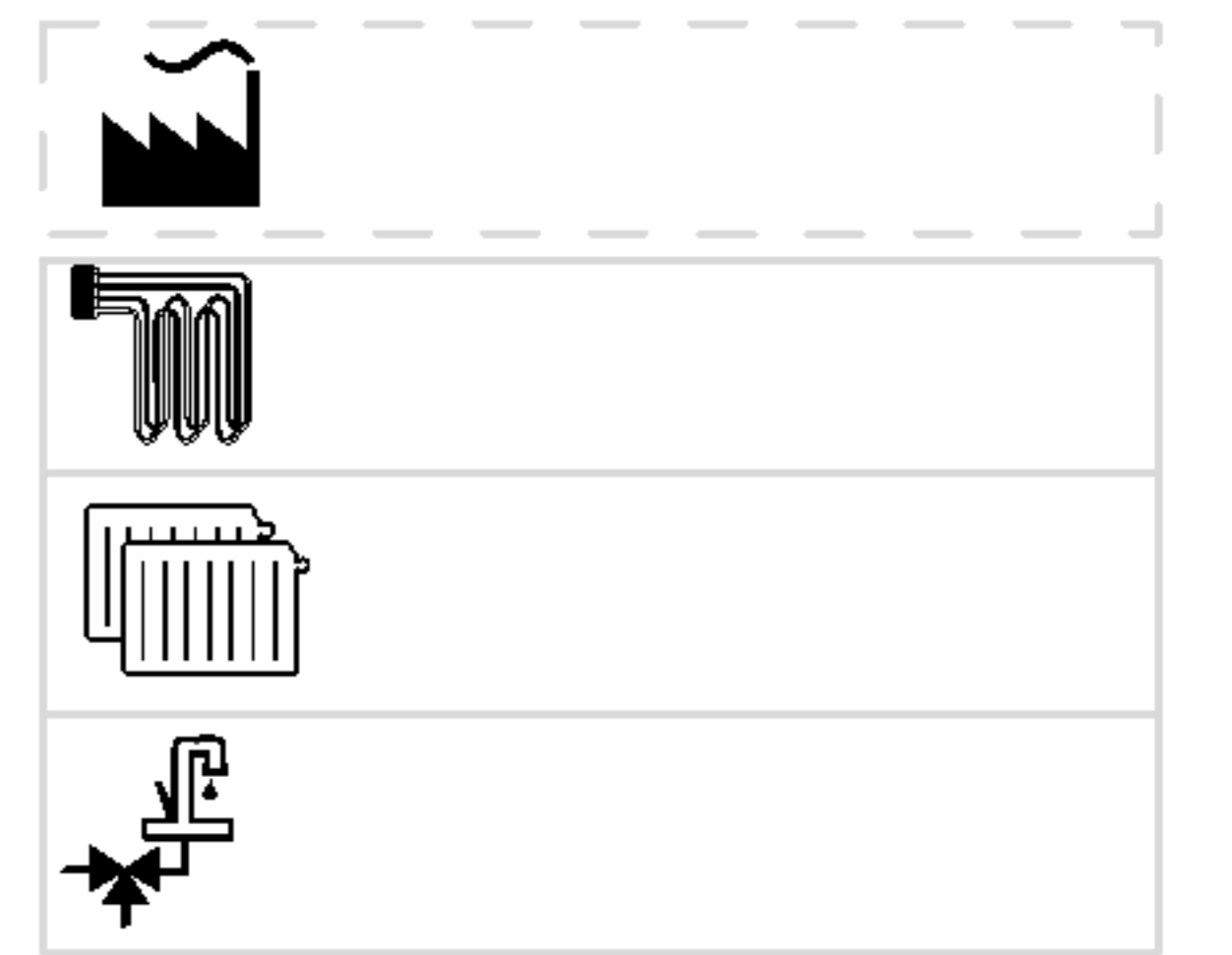
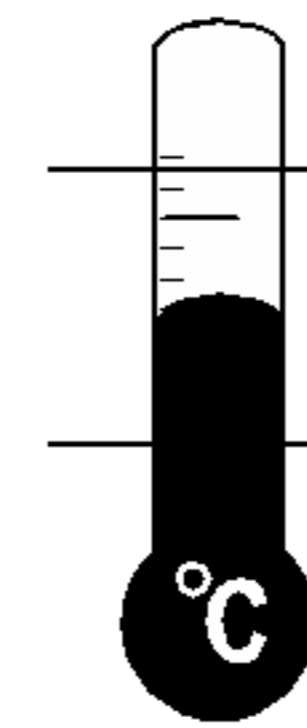
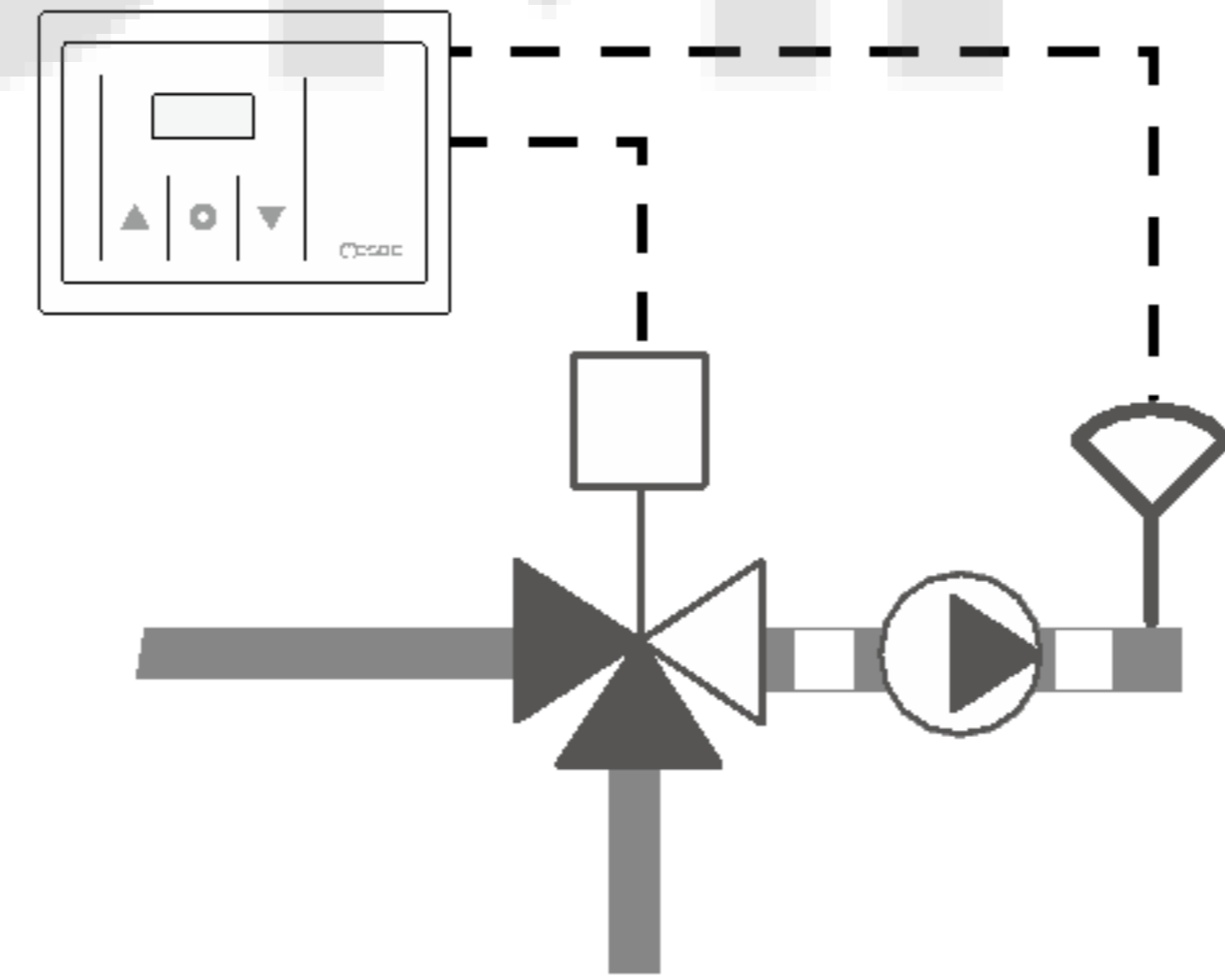




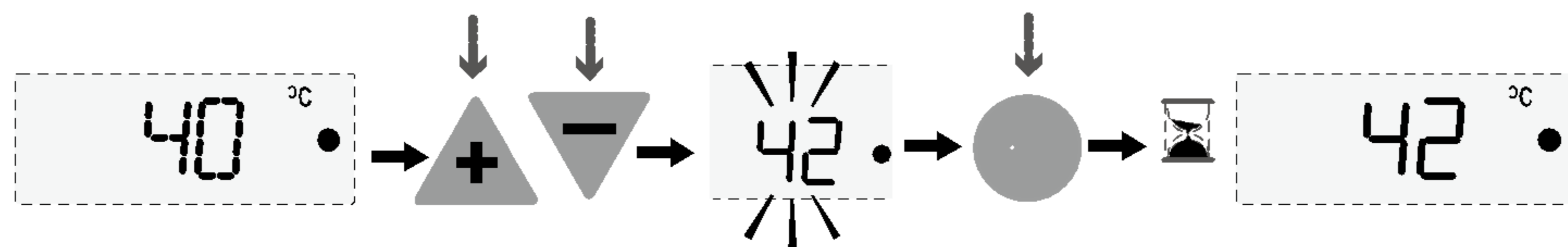
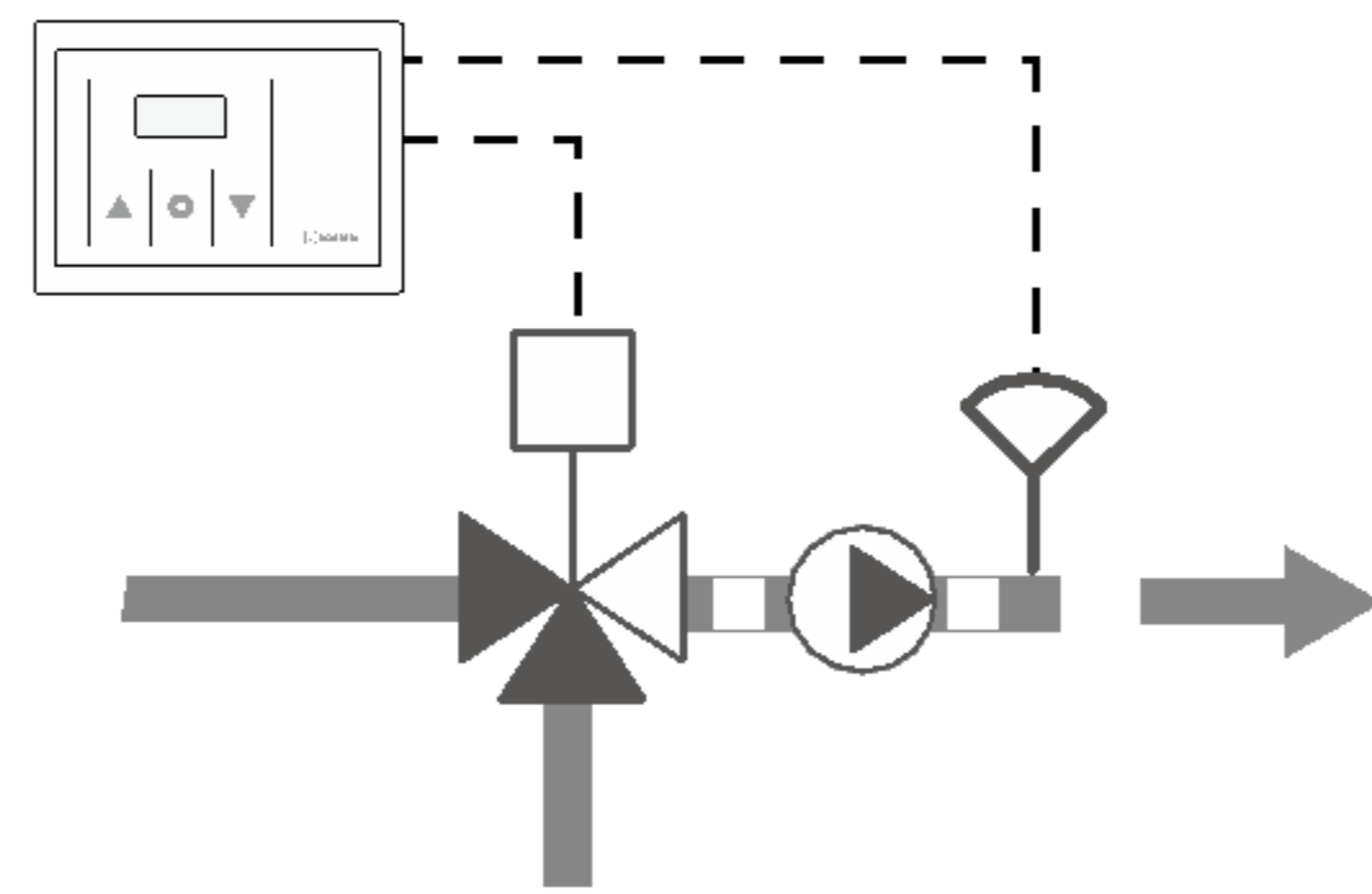
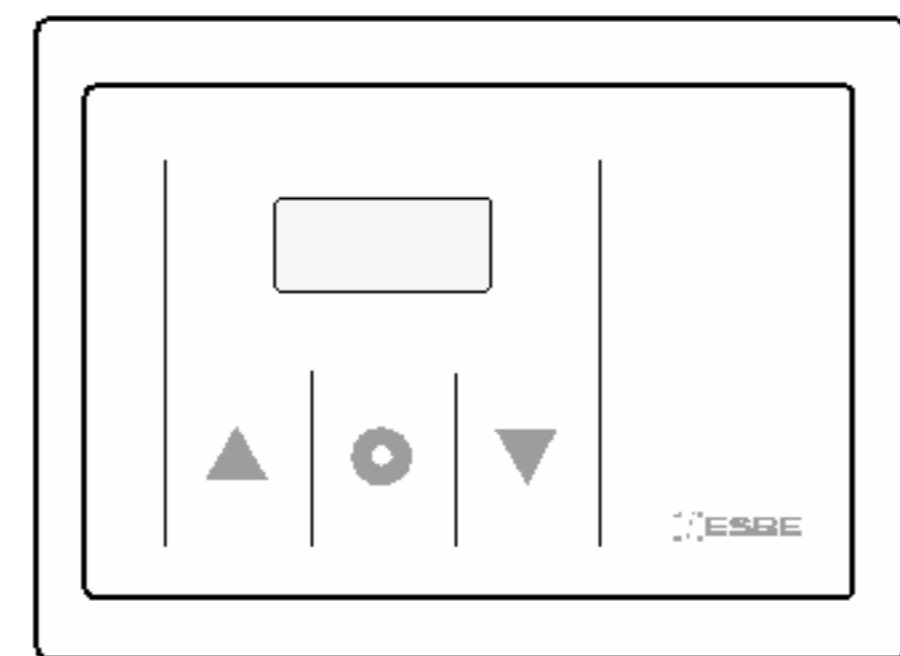
i




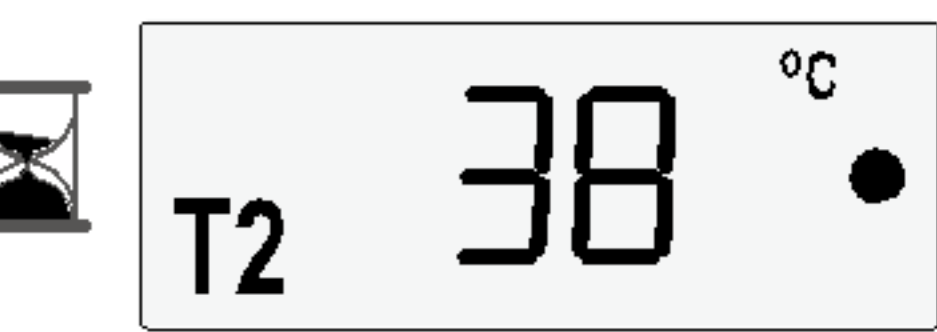
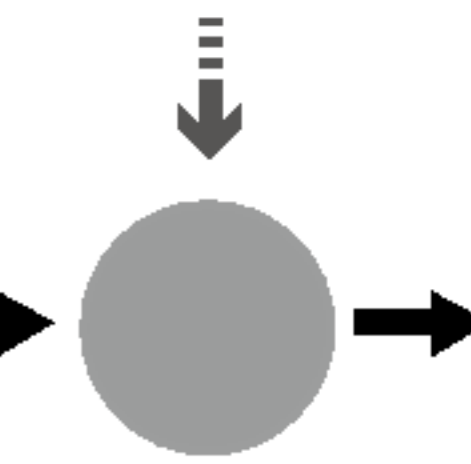
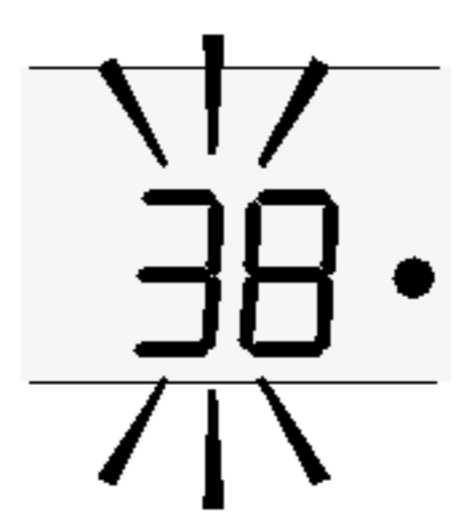
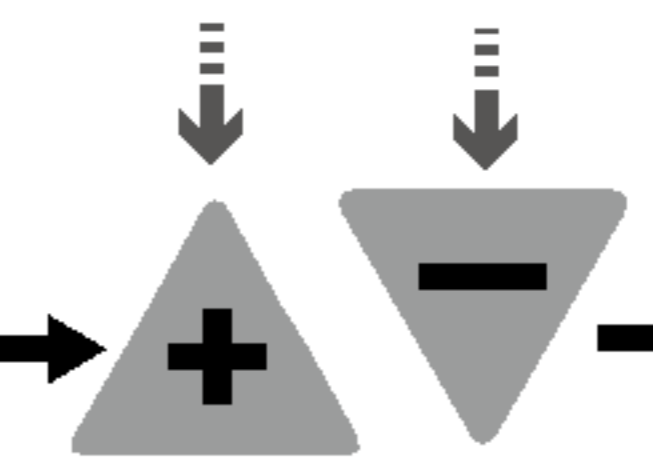
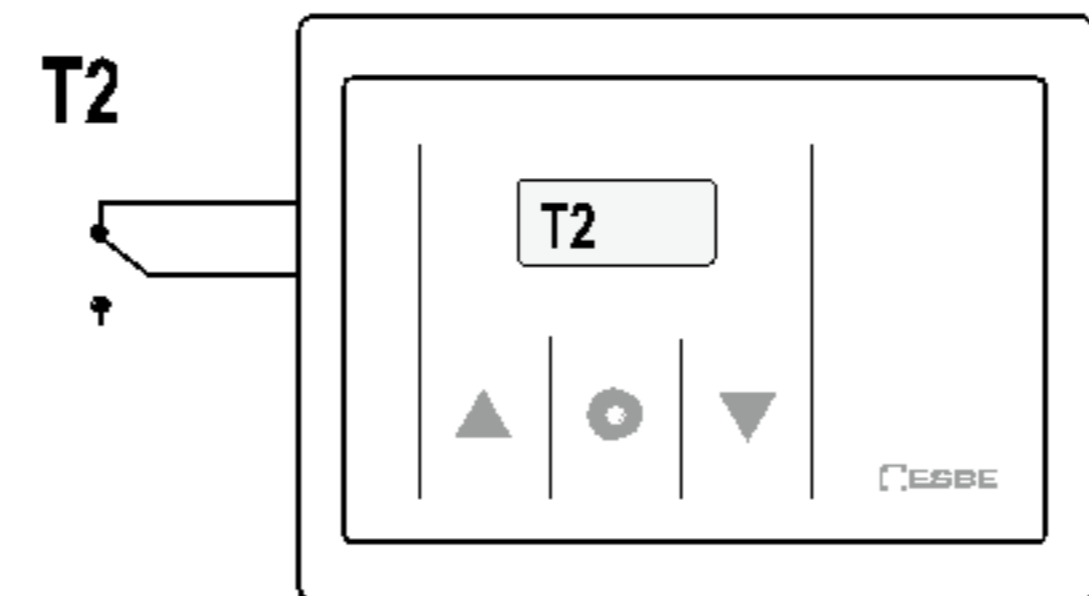
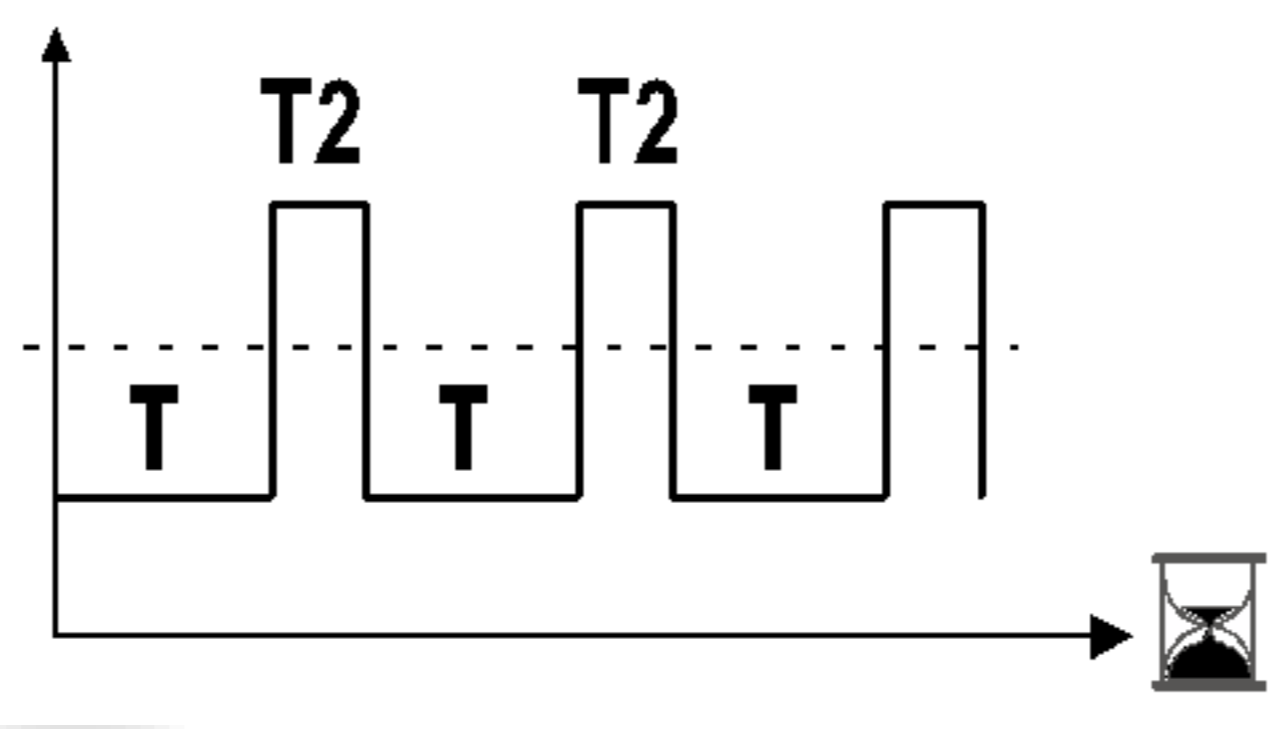
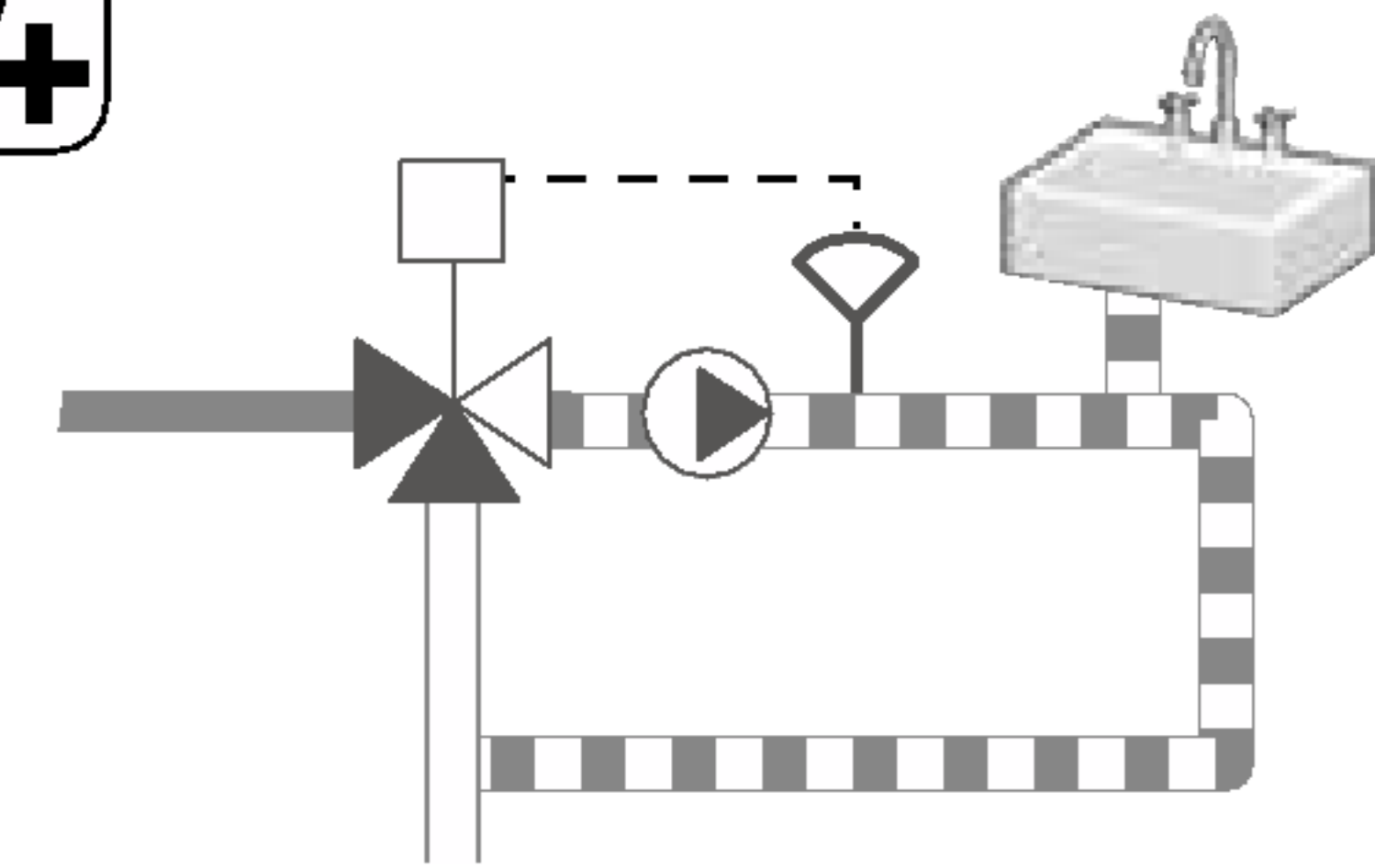
i



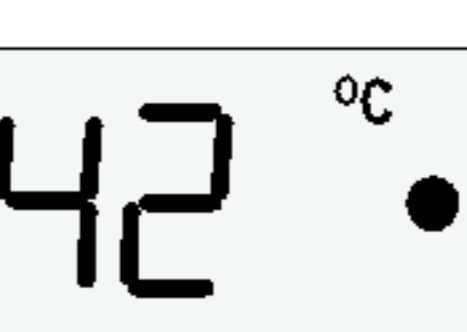
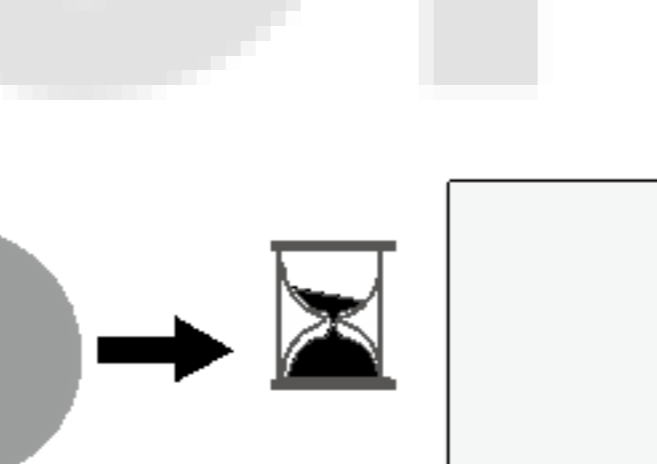
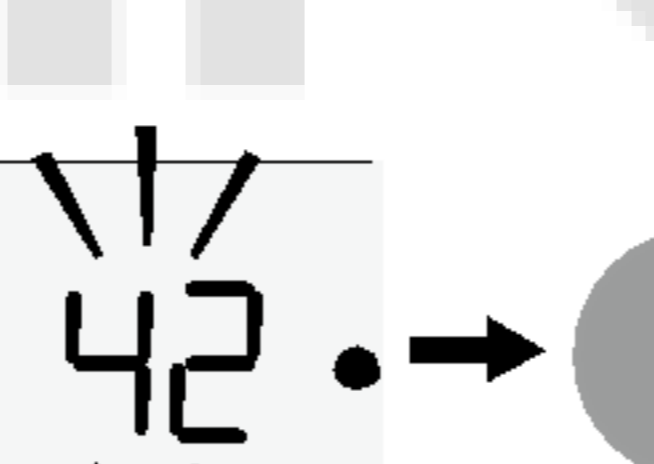
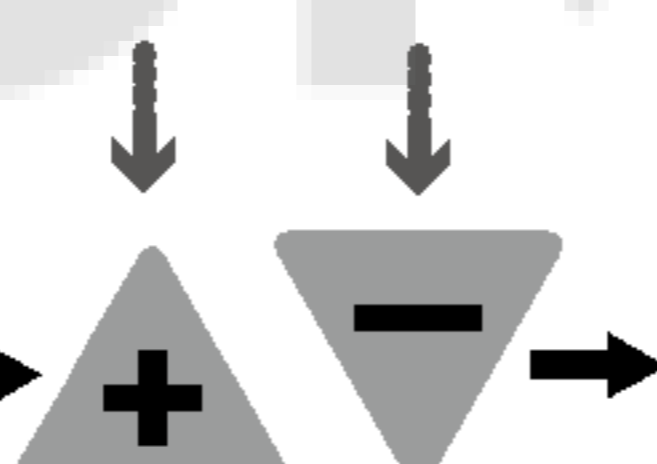
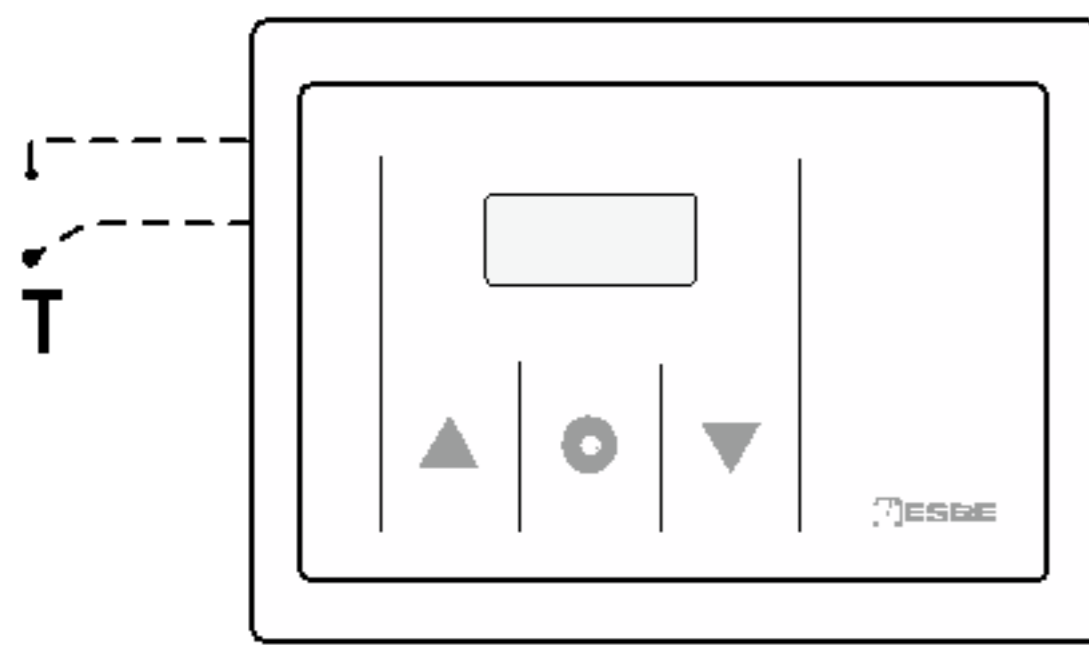
i



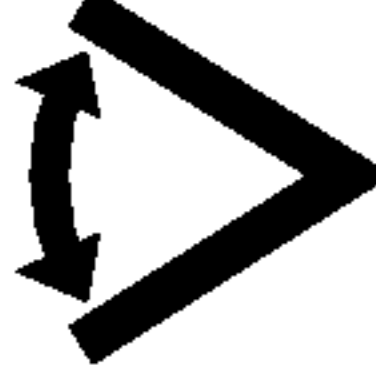
i  **T2**



T



KOMFORT

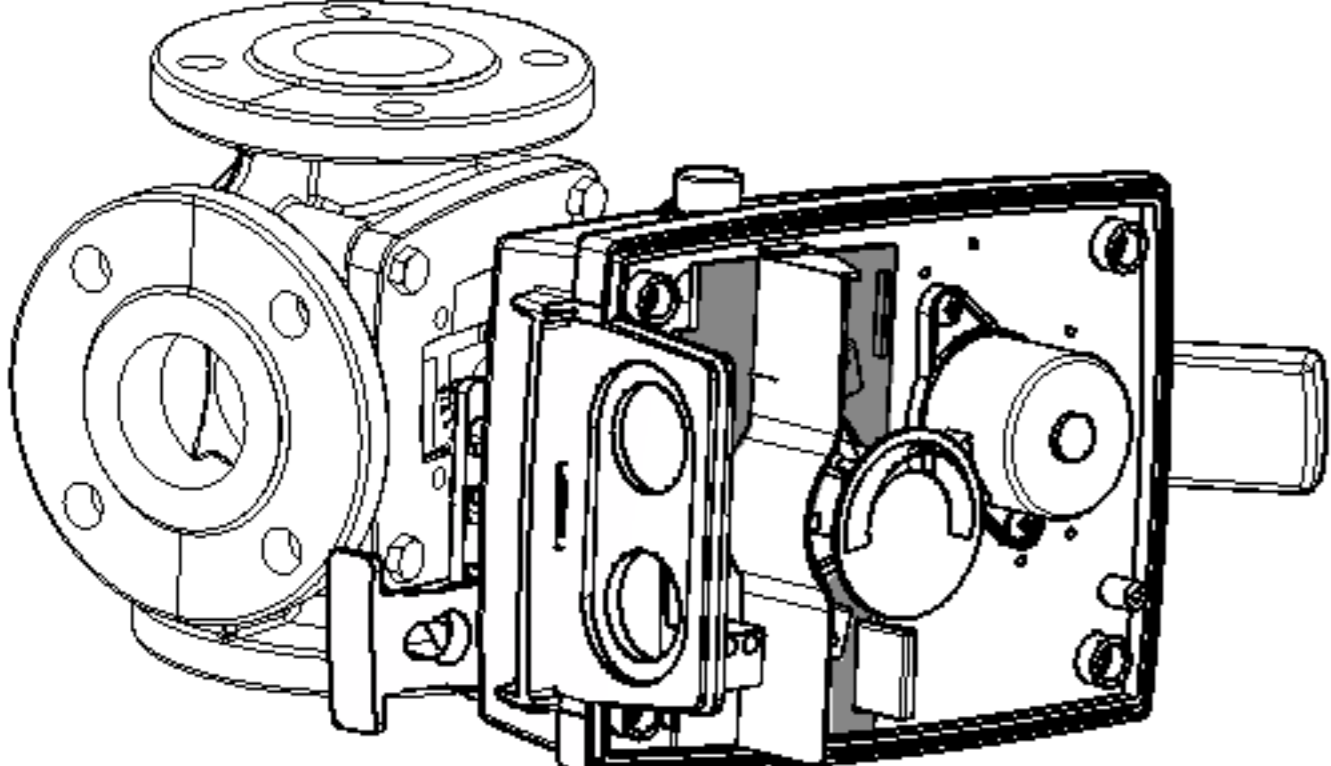
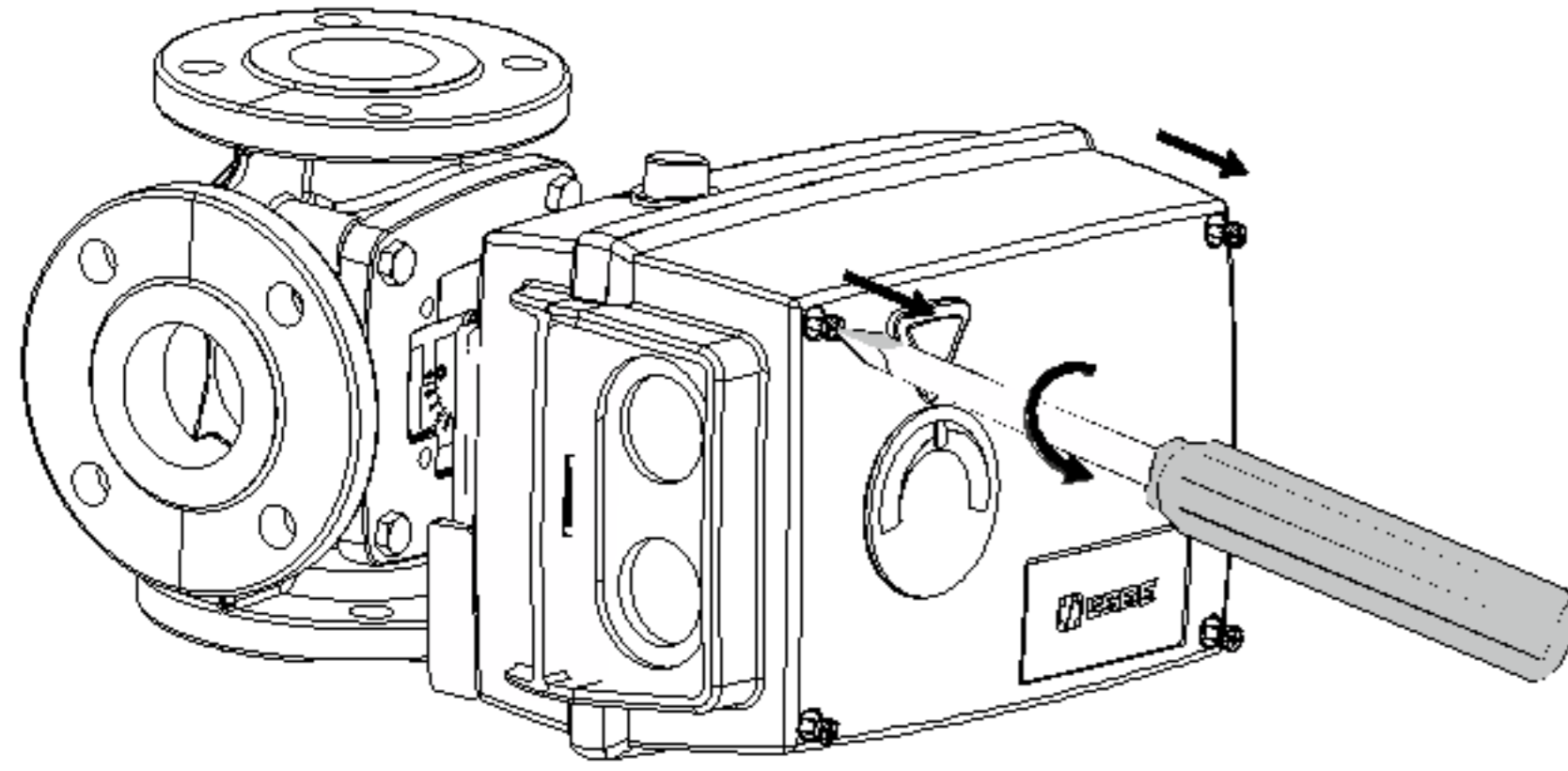
i 



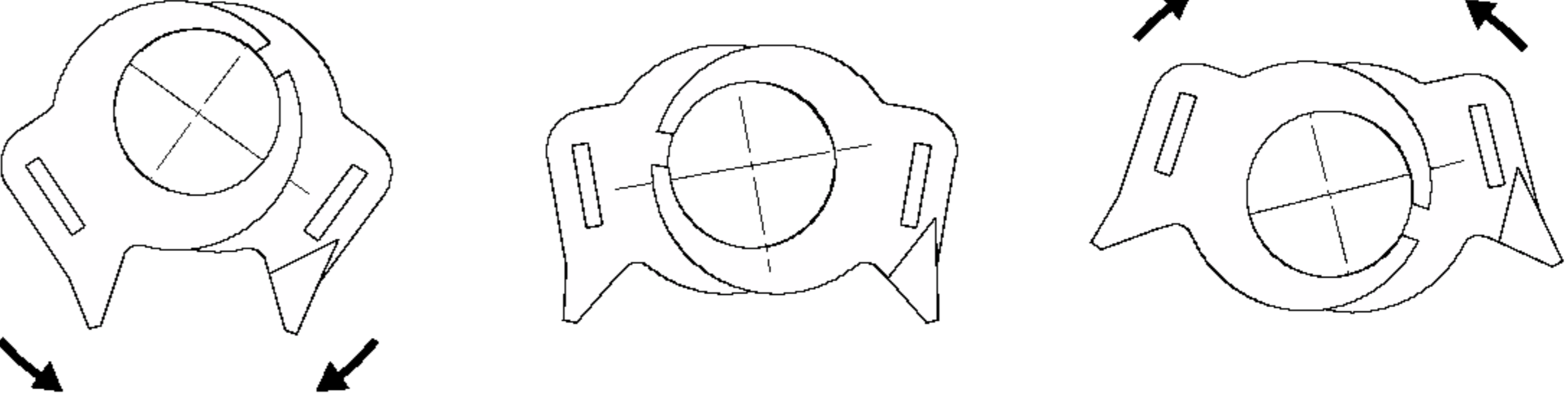
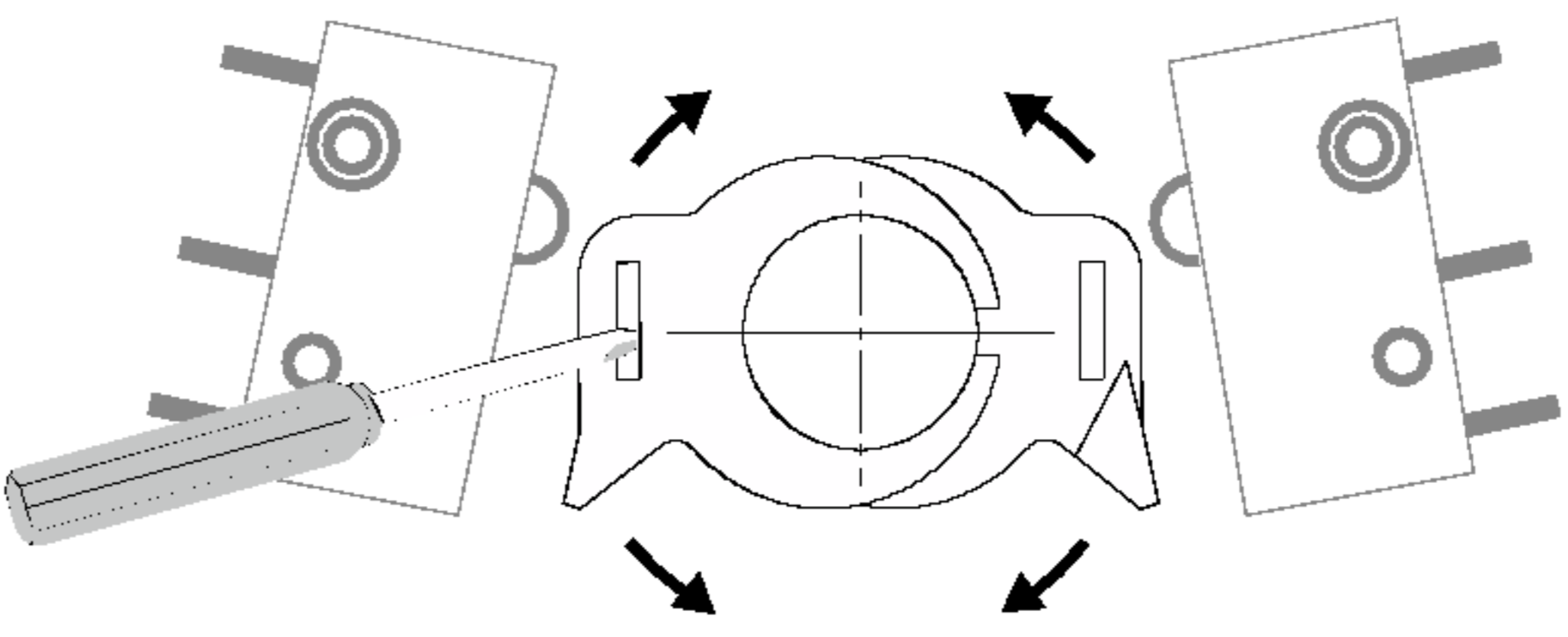
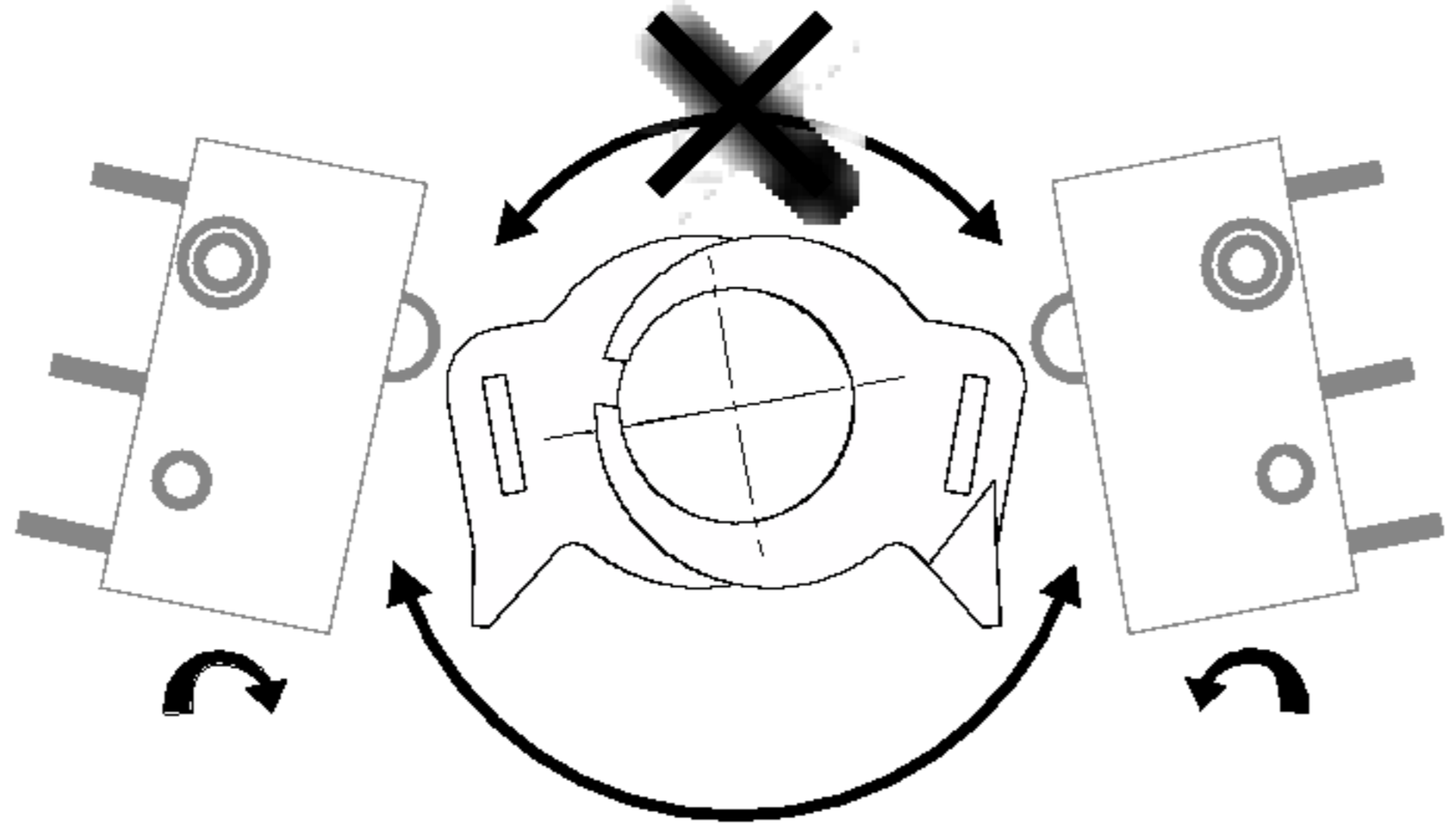
1



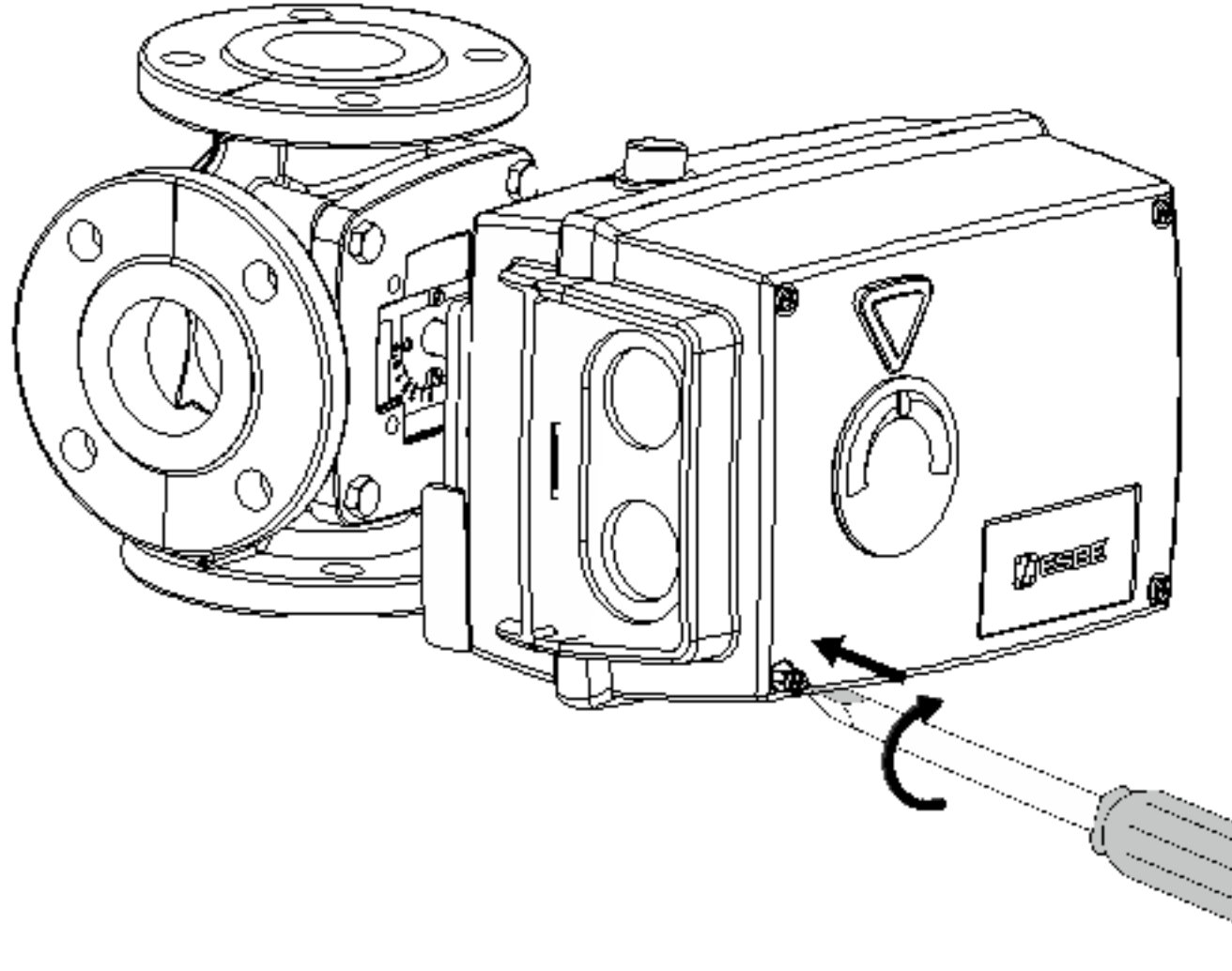
2



3



4



5

