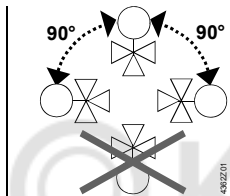


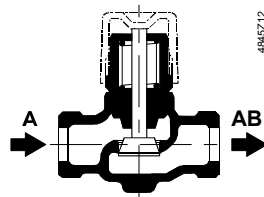
- de** Montageanleitung
- en** Mounting instructions
- fr** Instructions de montage
- sv** Monteringsinstruktion
- nl** Montage-handleiding
- it** Istruzioni di montaggio
- fi** Asennusohje
- es** Instrucciones de montaje
- da** Monteringsvejledning
- pl** Instrukcja montażu
- cz** Montážní návod
- hu** Szerelési útmutató
- el** Οδηγίες εγκατάστασης
- ru** Инструкция по установке
- zh** 安裝指導

- Ventile PN 16**
- Valves PN 16**
- Vannes PN 16**
- Ventiler PN 16**
- Afsluiters PN 16**
- Valvole PN 16**
- Venttiilit PN 16**
- Válvulas PN 16**
- Ventiler PN 16**
- Zawory PN 16**
- Ventily PN 16**
- Szelepek PN 16**
- Βάνες PN 16**
- Клапан PN16**
- 阀门 PN 16**

V..P45.. V..P45..S VVP45..N

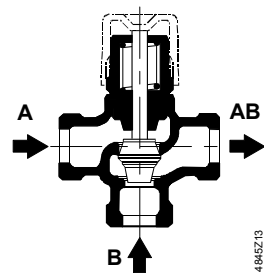


VVP45.10-0.25...VVP45.15-2.5
VVP45..S
VVP45.15-2.5N / VVP45.20-4N



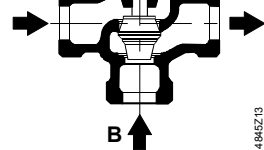
A → AB 0...100%

VVP45.25-10...VVP45.40-25
VVP45.25-6.3N



A → AB 0...100%
B → AB 70...0%

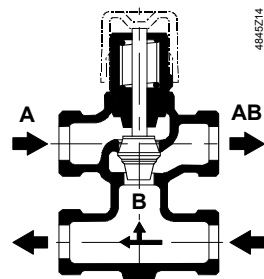
VXP45.10-0.25...VXP45.25-6.3



A → AB 0...100%
B → AB 100...0%

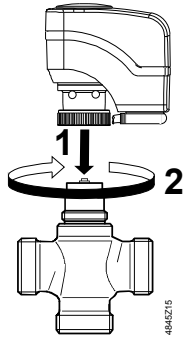
VXP45.25-10...VXP45.40-25

VMP45.10-0.25...VMP45.20-4
VMP45..S



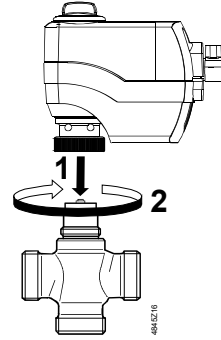
A → AB 0...100%
B → AB 70...0%

V..P45.. / V..P45..S + SSB.. / VVP45..N + SSY..

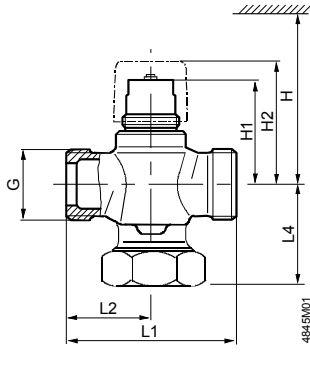


$$k_{vs} \leq 6.3 \text{ m}^3/\text{h}$$

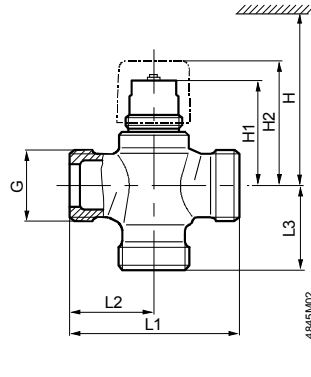
V..P45.. + SSC..



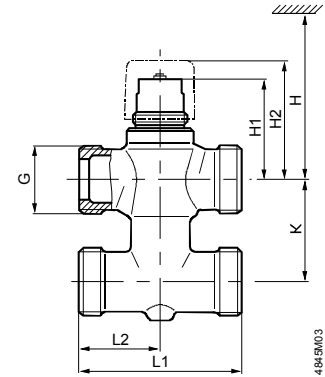
VVP45..
VVP45..S
VVP45..N



VXP45..



VMP45..
VMP45..S



	DN	G ["]	H [mm]	H1 [mm]	H2 [mm]	L1 [mm]	L2 [mm]	L3 [mm]	L4 [mm]	K [mm]	VVP.. [kg]	VXP.. [kg]	VMP.. [kg]
V..P45.10-0.25...1.6, ..S	10	G ½B	> 200	44.9	≈ 54	60	30	30	20	40	0.26	0.28	0.36
V..P45.15-2.5	15	G ¾B		44.9	≈ 54	65	32.5	32.5	20	40	0.30	0.34	0.46
V..P45.15-2.5S	15	W 1 ⅛-14		44.9	≈ 54	65	32.5	-	20	40	0.30	-	0.46
V..P45.20-4	20	G 1B		48.9	≈ 58	80	40	40	24	50	0.42	0.48	0.64
VVP45.25-6.3 / VXP45.25-6.3	25	G 1¼B	> 280	51	≈ 60	80	40	40	49		0.76	0.64	
VVP45.25-10 / VXP45.25-10	25	G 1½B		62.5	≈ 71	105	52.5	52.5	62.5		1.46	1.29	
VVP45.32-16 / VXP45.32-16	32	G 2B		69	≈ 78	105	52.5	52.5	63.5		1.95	1.70	
VVP45.40-25 / VXP45.40-25	40	G 2¼B	> 280	72	≈ 81	130	65	65	76		2.75	2.40	
VVP45.15-2.5N	15	G ¾B		62	≈ 71	65	32.5	-	20		0.30		
VVP45.20-4N	20	G 1B		66	≈ 75	80	40	-	24		0.42		
VVP45.25-6.3N	25	G 1¼B		68	≈ 77	80	40	-	49		0.76		

ALG..., SERTO SO 21..			DN	G [Inch]	R [Inch]	Rp [Inch]	L [mm]	T [mm]	SERTO SO 21.. www.serto.com	D [mm]		
ALG..	ALG132	VVP45.10-0.25...1.6	10	G ½	R ⅜		≈ 24	≈ 9	SO 00021-12-1/2"	12		
	ALG133	VXP45.10-0.25...1.6							SO 00021-14-1/2"	14		
2 x ALG132	VMP45.10-0.25...1.6	SO 00021-15-1/2"							15			
ALG142	ALG142	VVP45.15-2.5, ..N	15	G ¾	R ½		≈ 29.5	≈ 12	SO 00021-17-3/4"	17		
	2 x ALG142	VMP45.15-2.5							SO 00021-18-3/4"	18		
ALG152	ALG152	VVP45.20-4, ..N	20	G 1		Rp ½	≈ 23	≈ 13				
	ALG153	VXP45.20-4										
	2 x ALG152	2 x ALG152B									VMP45.20-4	
ALG202	ALG202	VVP45.25-6.3, ..N	25	G 1¼		Rp ¾	≈ 25	≈ 15				
	ALG203	VXP45.25-6.3										
ALG252	ALG252	VVP45.25-10	25	G 1½		Rp 1	≈ 27	≈ 17				
	ALG253	VXP45.25-10										
ALG322	ALG322	VVP45.32-16	32	G 2		Rp 1¼	≈ 32	≈ 19				
	ALG323	VXP45.32-16										
ALG402	ALG402	VVP45.40-25	40	G 2¼		Rp 1½	≈ 32	≈ 19				
	ALG403	VXP45.40-25										
Conex 63 + Conex 65			DN	G [Inch]							D [mm]	
E--10CO063-- + E--10CO065--			V..P45.10-..S	10	G ½							15
G--10CO063-- + G--10CO065--			V..P45.15-2.5S	15	W 1 ⅛-14							22