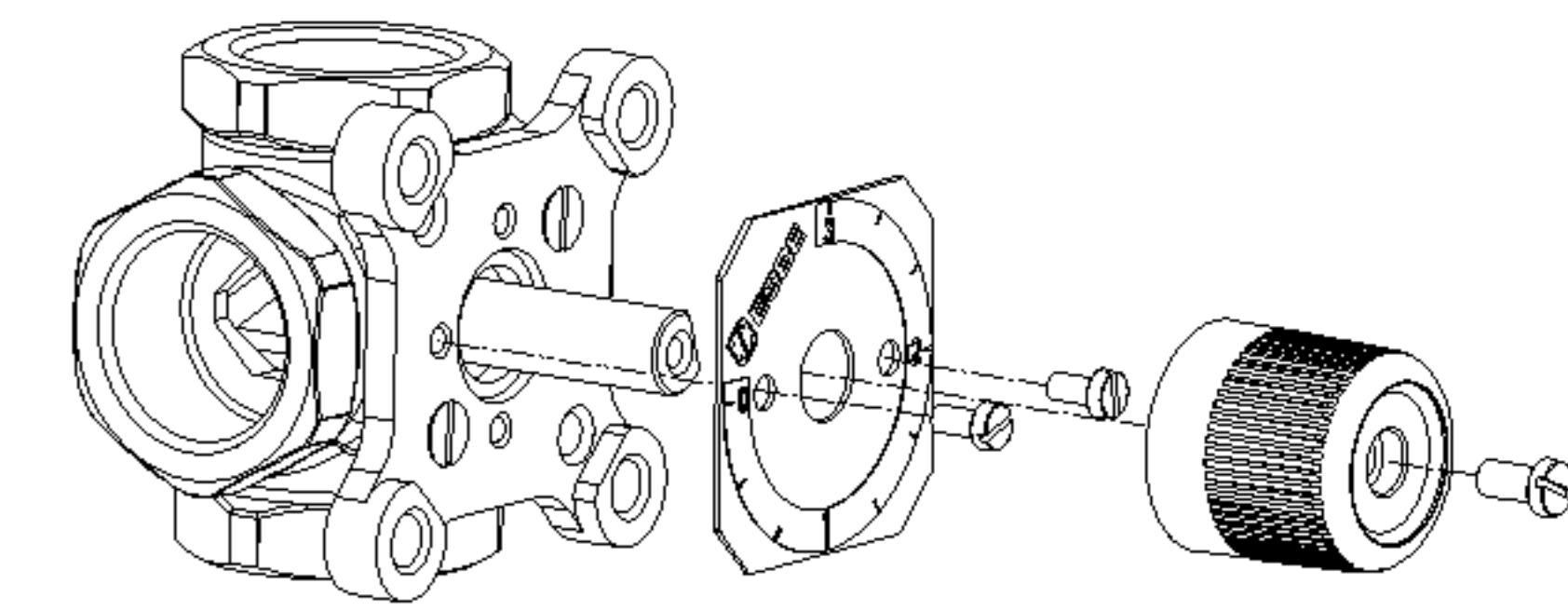
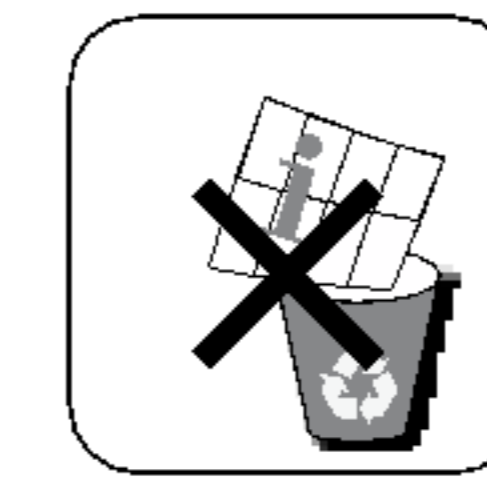
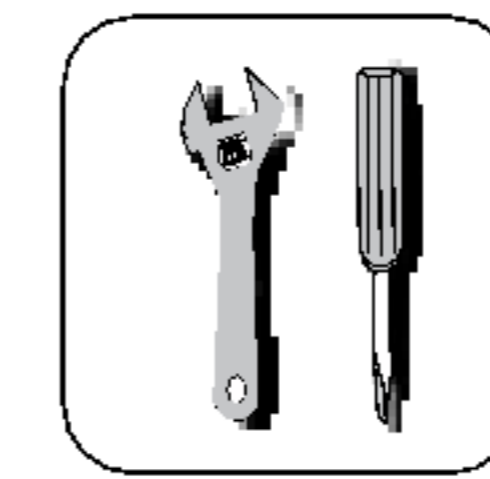
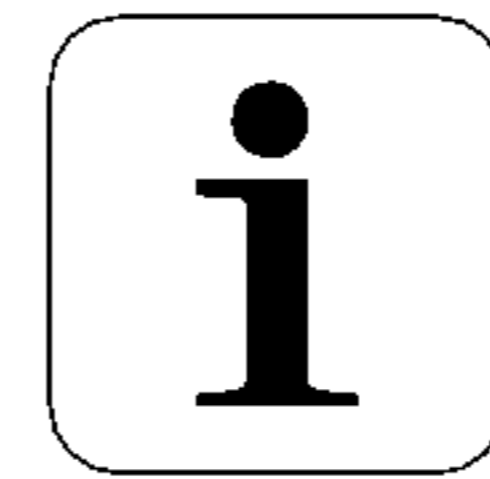




www.esbe.se



© KOMFORT



NO.1 IN HYDRONIC SYSTEM CONTROL

