



Oras Saga

INSTALLATION AND MAINTENANCE GUIDE



© KOMFORT



4-9

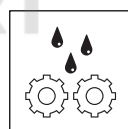


10-12



12

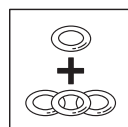
© KOMFORT



13-19



20

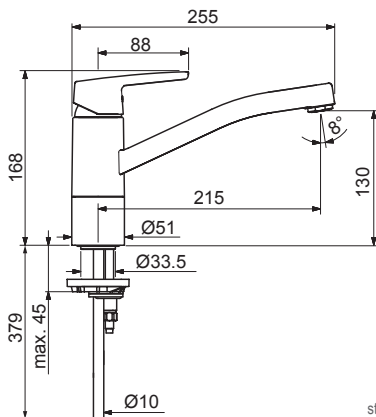
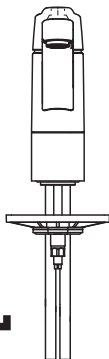


21-26



3930

I (ISO 3822)
 EN 817
 50 - 1000 kPa
 0.18 l/s (300 kPa)
 300 kPa (0.2 l/s)
 max. +80°C



static.oras.com/3930

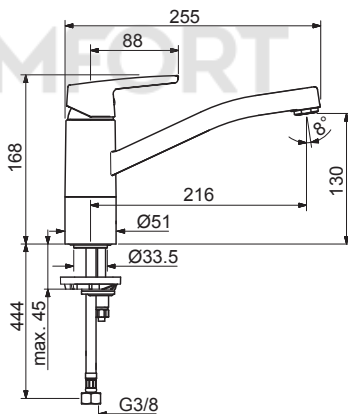
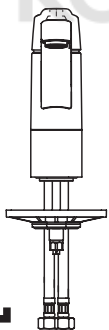


1444 KIWA Sverige 1913



3930F

I (ISO 3822)
 EN 817
 50 - 1000 kPa
 0.16 l/s (300 kPa)
 300 kPa (0.2 l/s)
 max. +80°C



static.oras.com/3930F

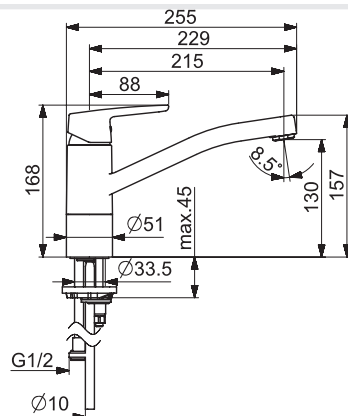
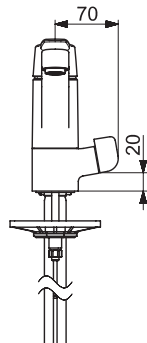


1444 KIWA Sverige 1913



3935

I (ISO 3822)
 EN 817
 50 - 1000 kPa
 0.18 l/s (300 kPa)
 300 kPa (0.2 l/s)
 max. +80°C



static.oras.com/3935

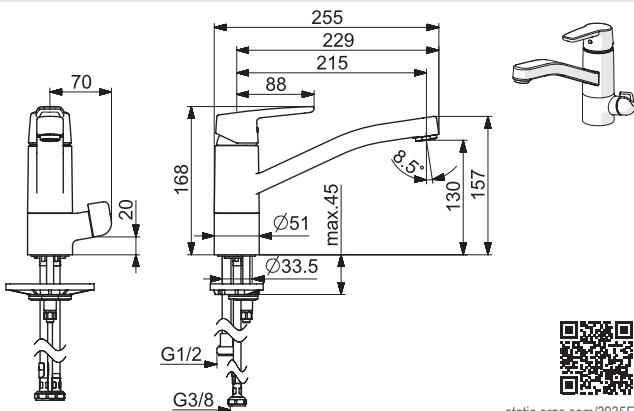


1444 KIWA Sverige 1913



3935F

I (ISO 3822)
EN 817
50 - 1000 kPa
0.16 l/s (300 kPa)
300 kPa (0.2 l/s)
max. +80°C

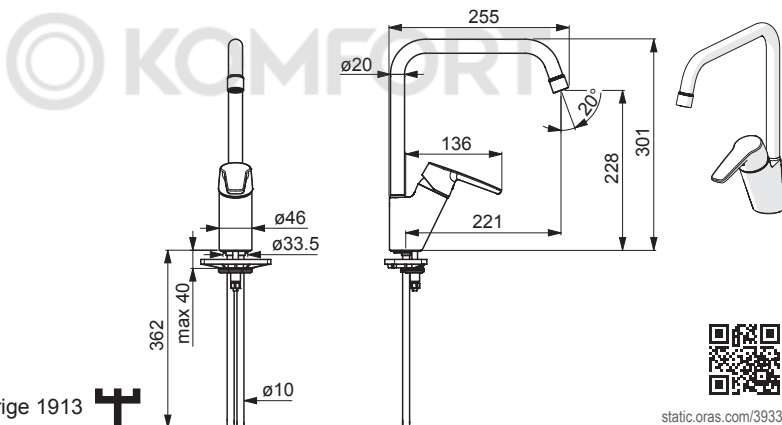


1444 KIWA Sverige 1913



3933

I (ISO 3822)
EN 817
50 - 1000 kPa
0.19 l/s (300 kPa)
300 kPa (0.2 l/s)
max. +80°C

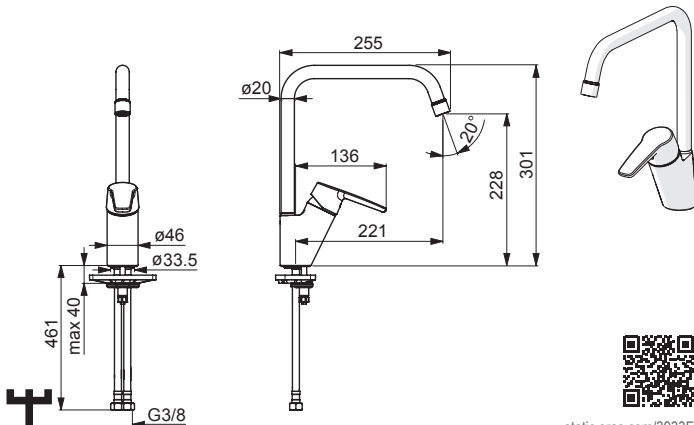


1444 KIWA Sverige 1913



3933F

I (ISO 3822)
EN 817
50 - 1000 kPa
0.17 l/s (300 kPa)
300 kPa (0.2 l/s)
max. +80°C



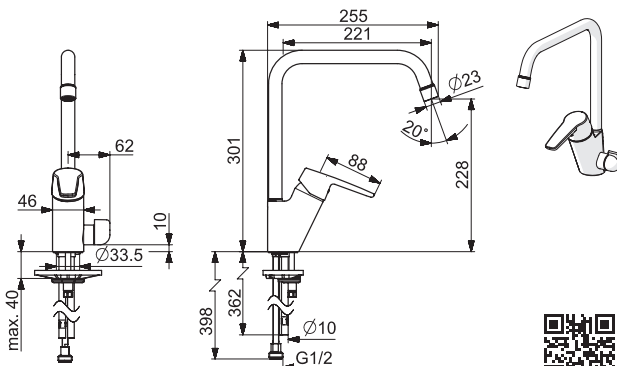
1444 KIWA Sverige 1913





3934

I (ISO 3822)
 50 - 1000 kPa
 0.22 l/s (300 kPa)
 300 kPa (0.2 l/s)
 max. +80°C

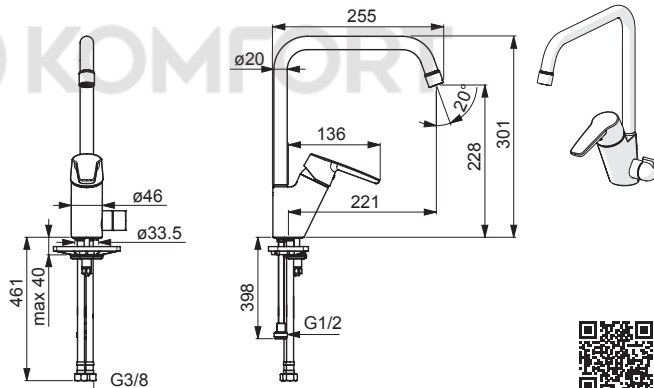


static.oras.com/3934

1444 KIWA Sverige 1913

3934F

I (ISO 3822)
 EN 817
 50 - 1000 kPa
 0.18 l/s (300 kPa)
 300 kPa (0.2 l/s)
 max. +80°C

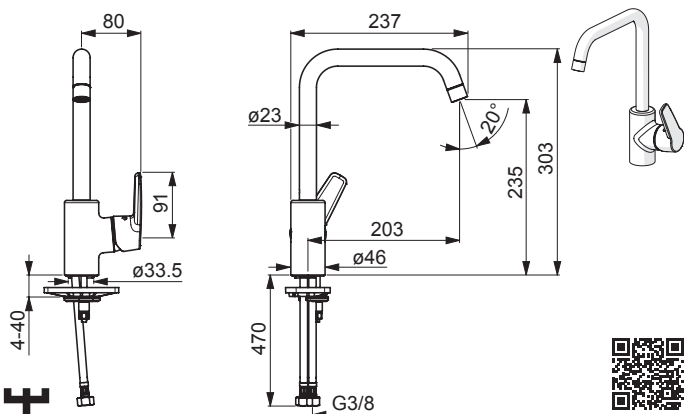


static.oras.com/3934F

1444 KIWA Sverige 1913

3931F

I (ISO 3822)
 EN 817
 50 - 1000 kPa
 0.16 l/s (300 kPa)
 300 kPa (0.2 l/s)
 max. +80°C



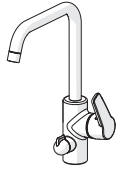
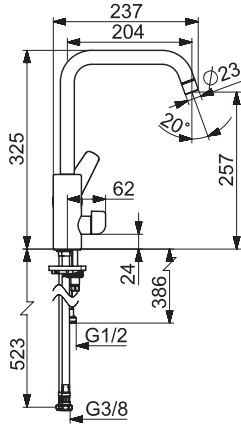
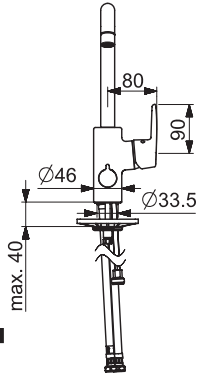
static.oras.com/3931F

1444 KIWA Sverige 1913



3936F

I (ISO 3822)
EN 817
50 - 1000 kPa
0.16 l/s (300 kPa)
300 kpa (0.2 l/s)
max. +80°C



1444 KIWA Sverige 1913



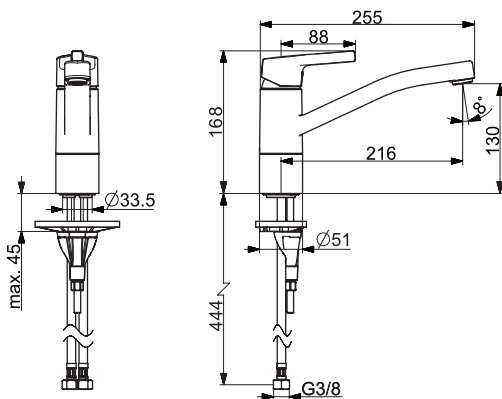
static.oras.com/3936F

KOMFORT



3930FH

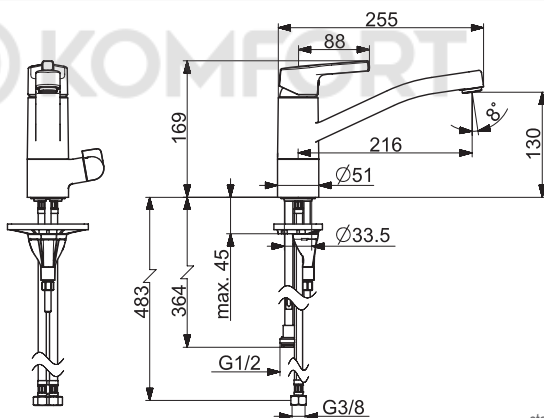
I (ISO3822)
 EN 817
 50 - 1000 kPa
 0.16 l/s (300 kPa)
 max. +80°C



static.oras.com/3930FH

3935FH

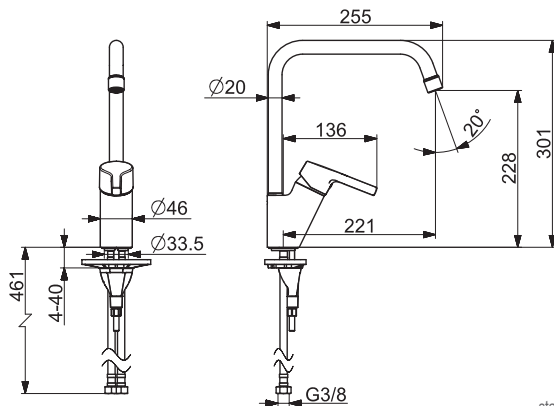
I (ISO3822)
 EN 817
 50 - 1000 kPa
 0.16 l/s (300 kPa)
 max. +80°C



static.oras.com/3935FH

3933FH

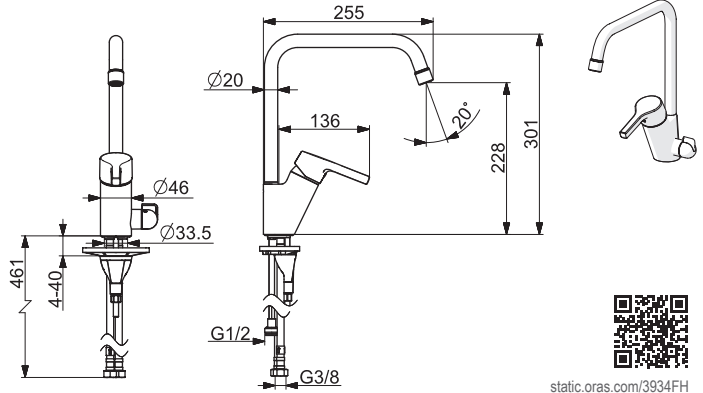
I (ISO3822)
 EN 817
 50 - 1000 kPa
 0.17 l/s (300 kPa)
 max. +80°C



static.oras.com/3933FH

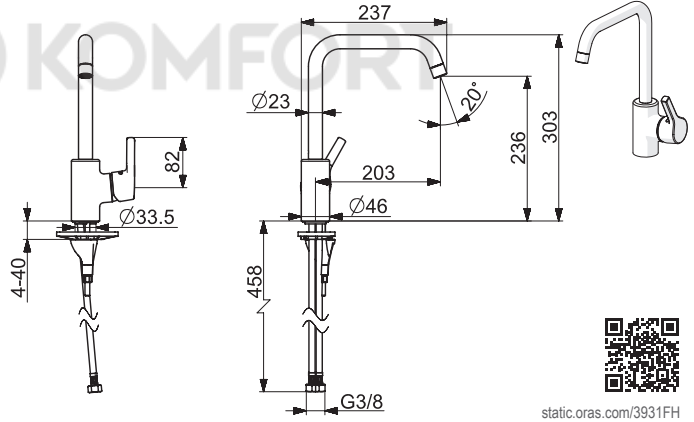
3934FH

I (ISO3822)
EN 817
50 - 1000 kPa
0.19 l/s (300 kPa)
max. +80°C



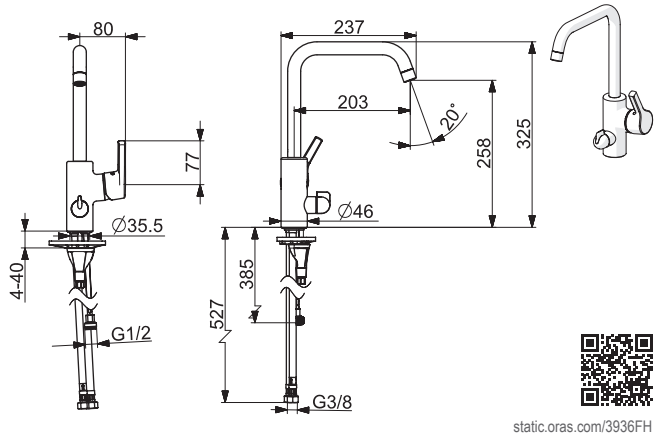
3931FH

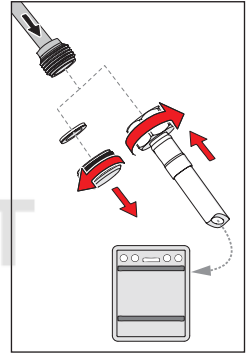
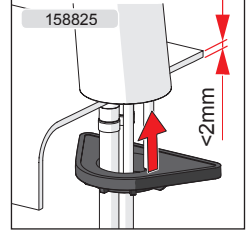
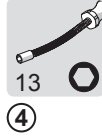
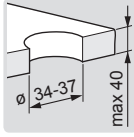
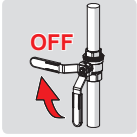
I (ISO3822)
EN 817
50 - 1000 kPa
0.16 l/s (300 kPa)
max. +80°C



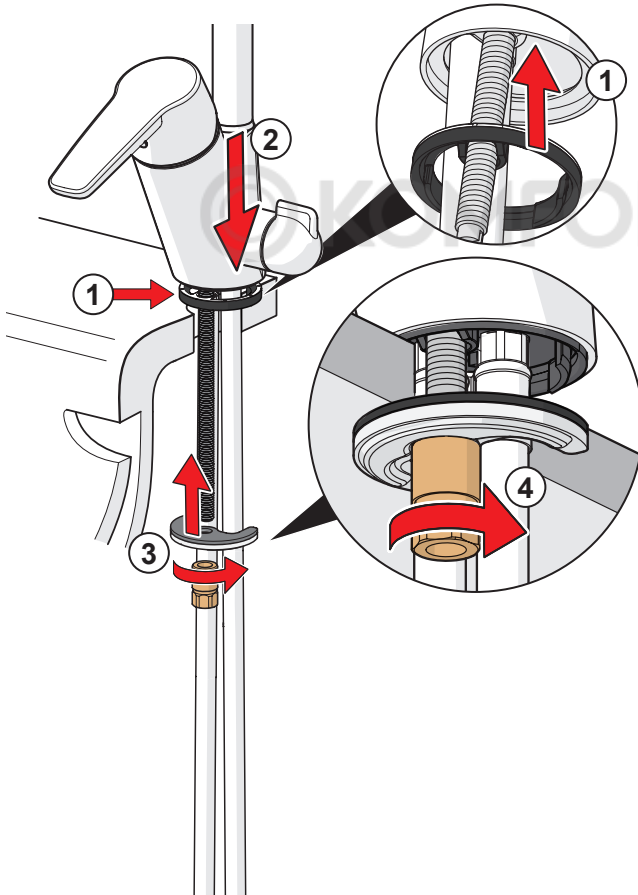
3936FH

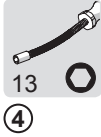
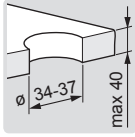
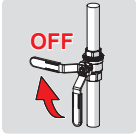
I (ISO3822)
EN 817
50 - 1000 kPa
0.16 l/s (300 kPa)
max. +80°C



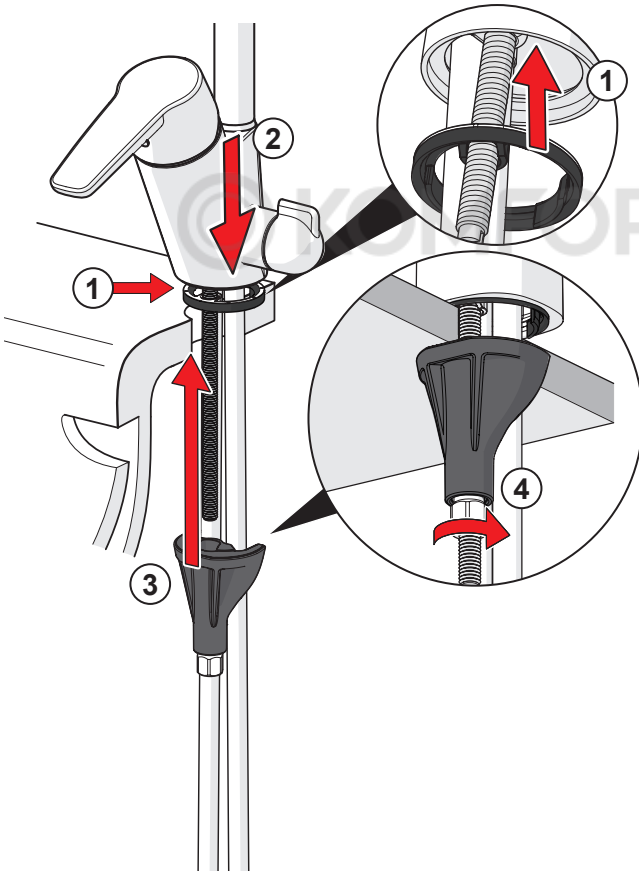
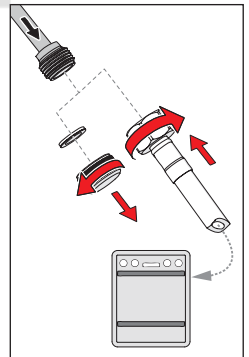
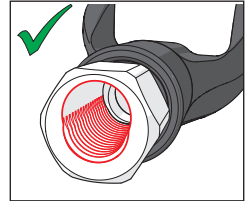
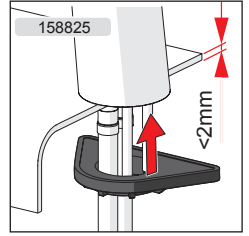


A





B

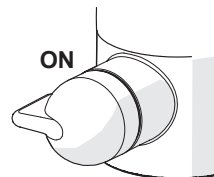
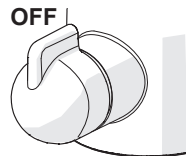
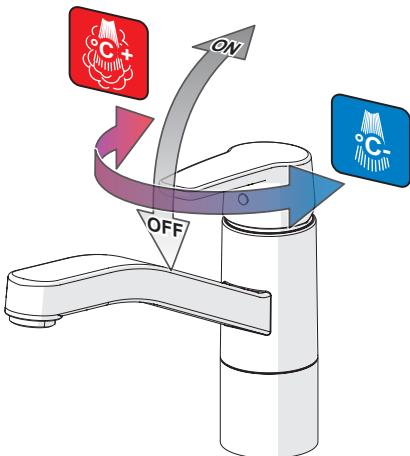
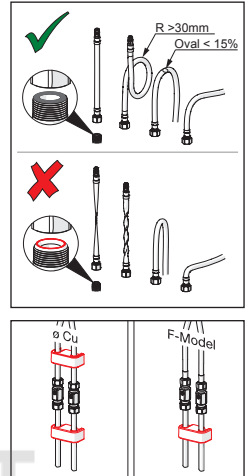
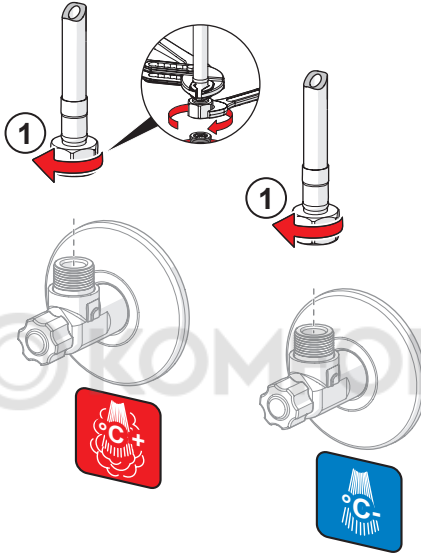




1

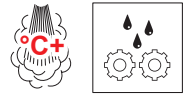
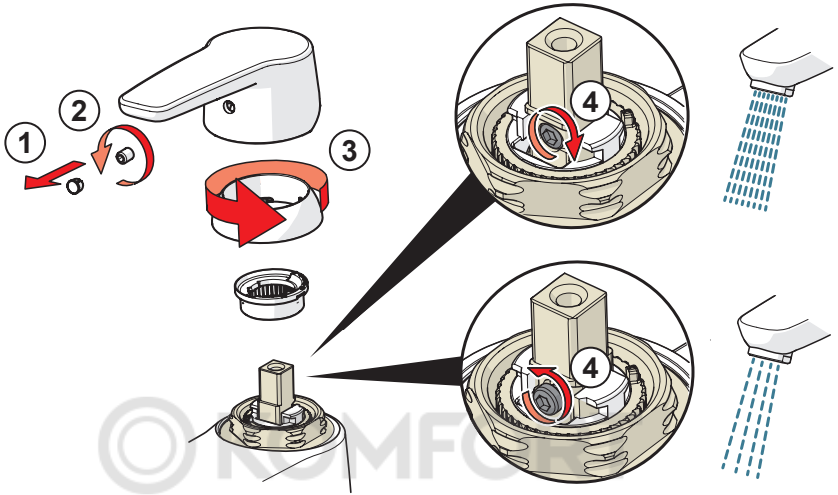
max.
1600 kPa

2

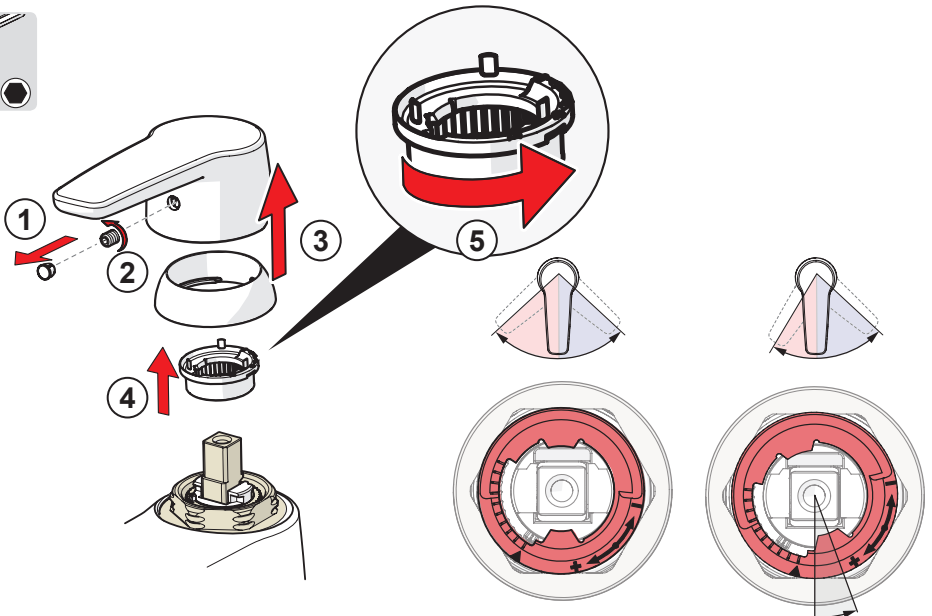


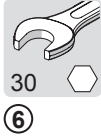
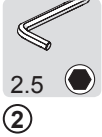
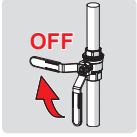


2

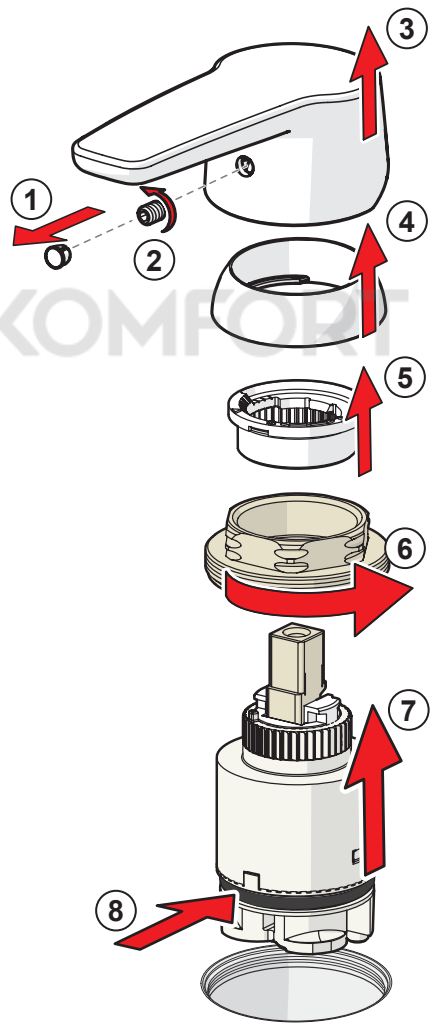


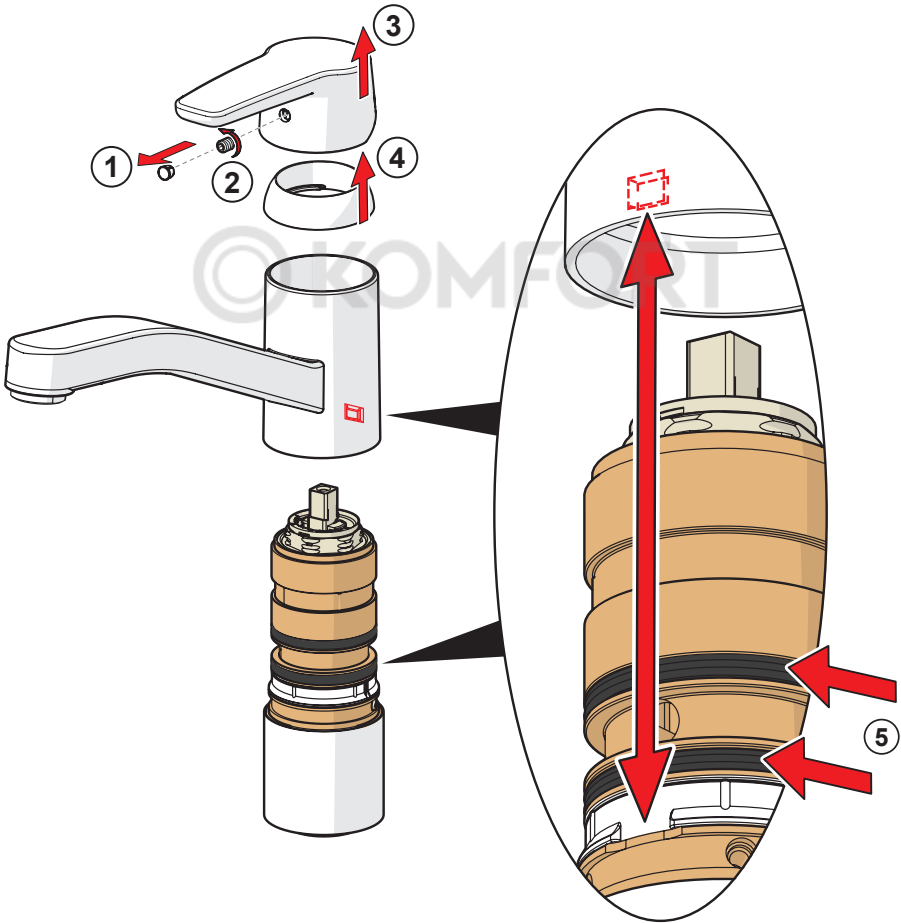
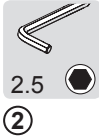
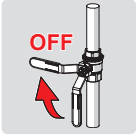
2

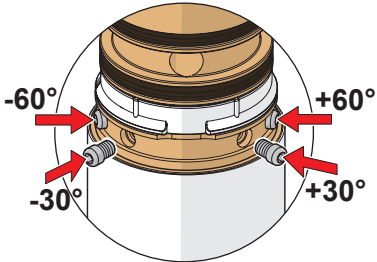
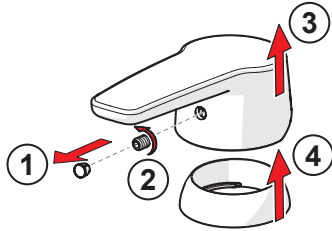
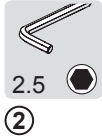
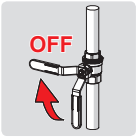
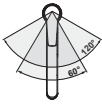




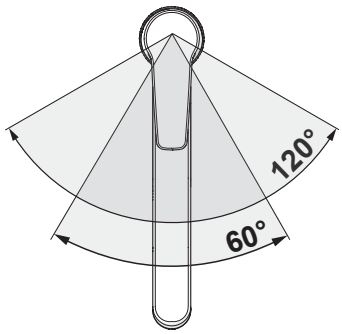
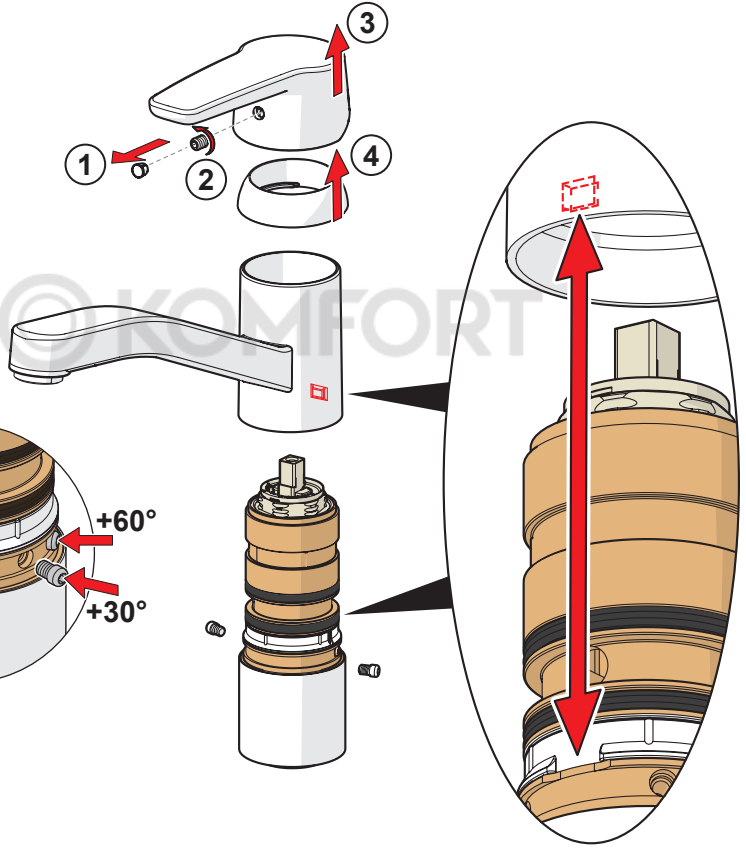
© KOMFORT

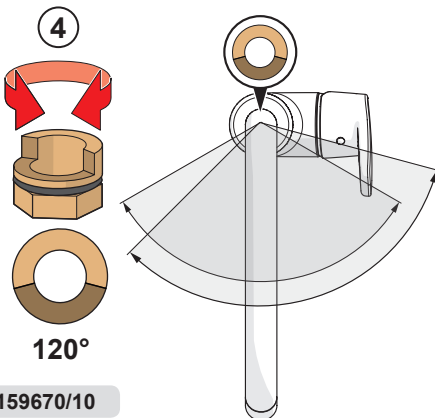
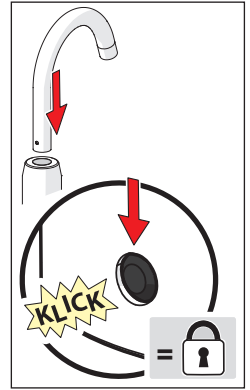
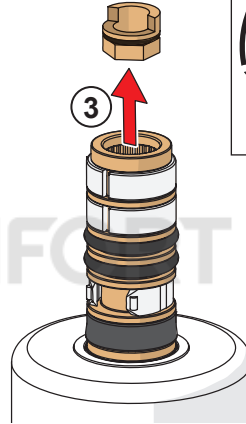
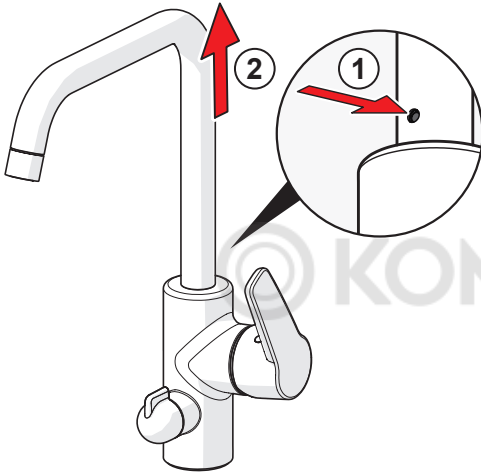
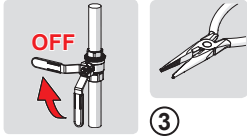




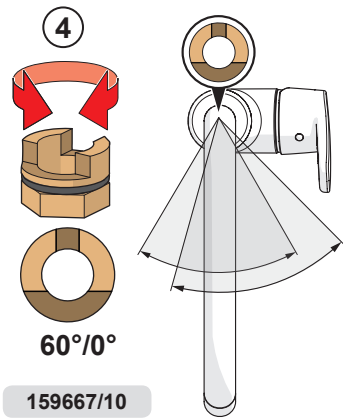


© KOMFORT

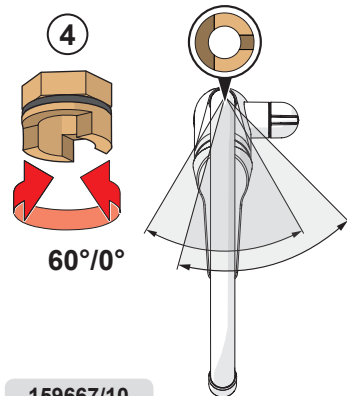
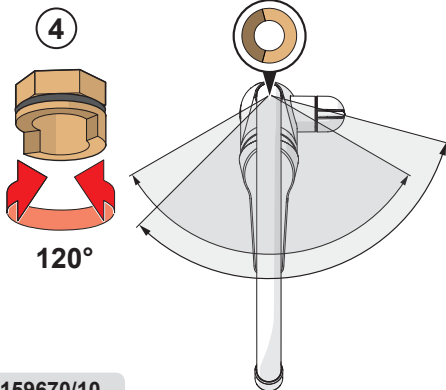
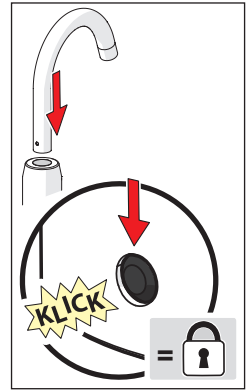
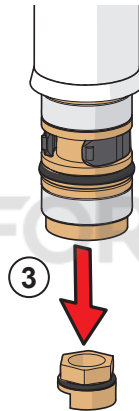
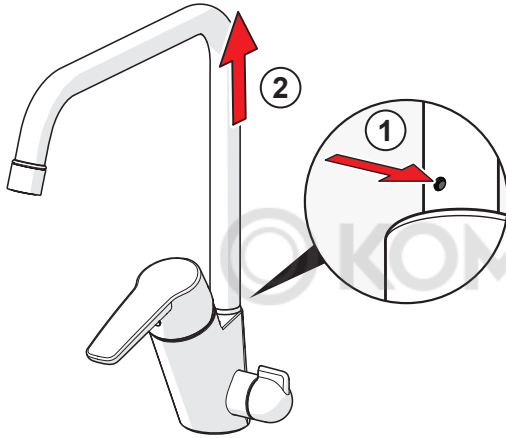
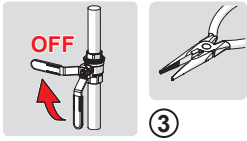




159670/10

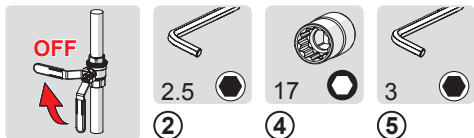


159667/10

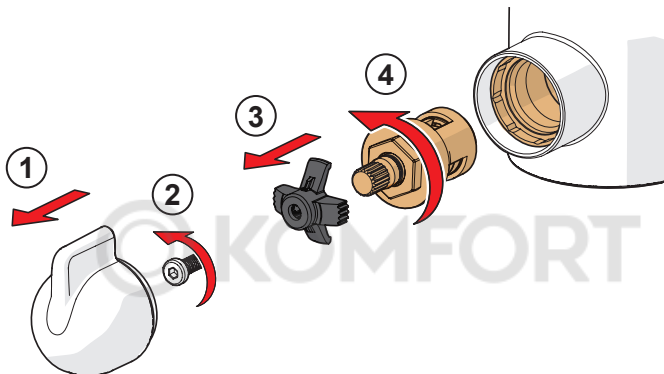


159670/10

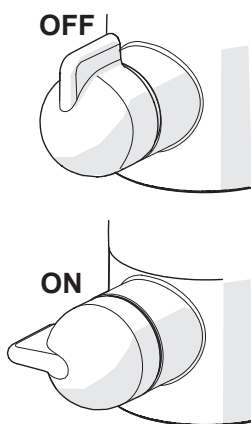
159667/10

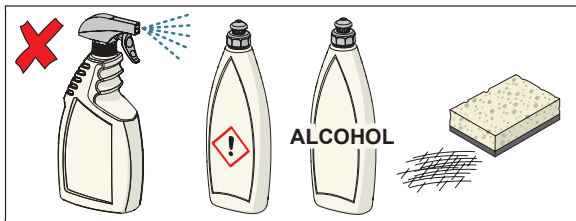
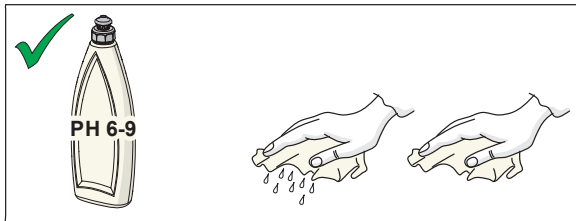
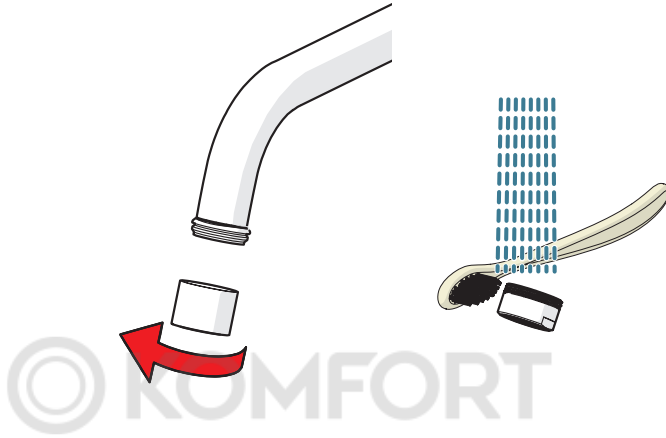


1



2

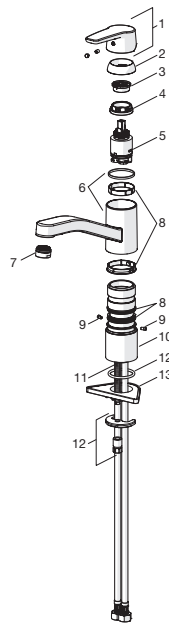




CLEANING.ORAS.COM

3930 , 3930F

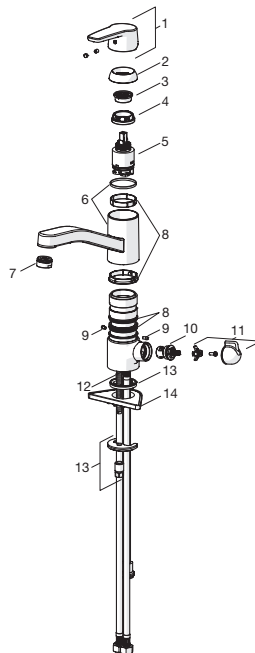
- 1 1000801V
- 2 601967V
- 3 601973V
- 4 601979V
- 5 601969V
- 6 1000832V
- 7 602064V
- 8 601983V
- 9 1000980/2
- 10 601982V
- 11 601970V
- 12 601985V
- 13 158825



KOMFORT

3935 , 3935F

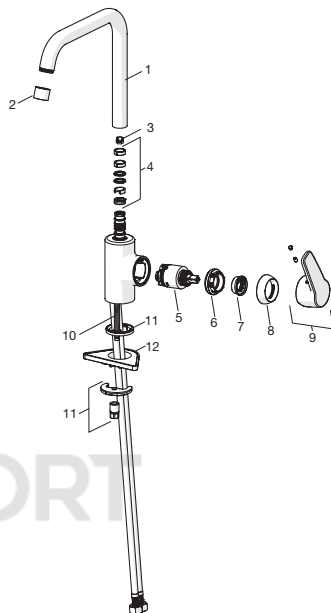
- 1 1000801V
- 2 601967V
- 3 601973V
- 4 601979V
- 5 601969V
- 6 1000832V
- 7 602064V
- 8 601983V
- 9 1000980/2
- 10 602600V
- 11 1005697V
- 12 601970V
- 13 601985V
- 14 158825





3931F

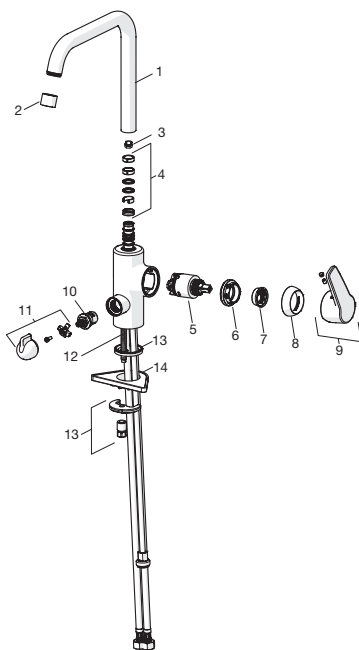
- 1 1001049V
- 2 1001070V
- 3 159667/10 (0°/60°)
- 3 159670/10 (120°)
- 4 1001098V
- 5 601969V
- 6 601968V
- 7 601973V
- 8 601967V
- 9 1000986V
- 10 601970V
- 11 601985V
- 12 158825



© KOMFORT

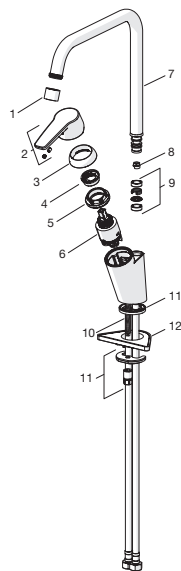
3936F

- 1 1001049V
- 2 1001070V
- 3 159667/10
- 3 159670/10
- 4 1001098V
- 5 601969V
- 6 601968V
- 7 601973V
- 8 601967V
- 9 1000986V
- 10 602600V
- 11 1005697V
- 12 601970V
- 13 601985V
- 14 158825



3933 , 3933F

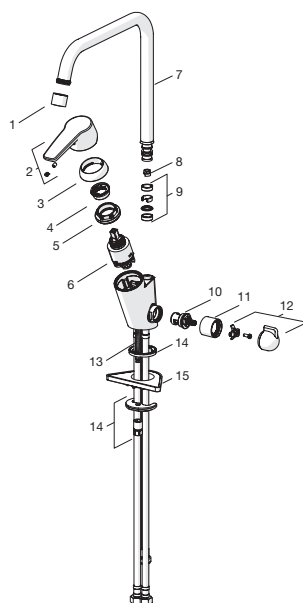
- 1 1001070V
- 2 1000801V
- 3 601967V
- 4 601973V
- 5 601968V
- 6 601969V
- 7 1000228V
- 8 159670/10 (120°)
- 8 159667/10 (60°/0°)
- 9 198287V
- 10 601970V
- 11 601985V
- 12 158825



KOMFORT

3934 , 3934F

- 1 1001070V
- 2 1000801V
- 3 601967V
- 4 601973V
- 5 601968V
- 6 601969V
- 7 1000228V
- 8 159667/10
- 8 159670/10
- 9 198287V
- 10 602600V
- 11 1000240V
- 12 1005697V
- 13 601970V
- 14 601985V
- 15 158825

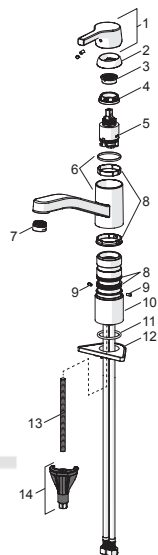




3930FH

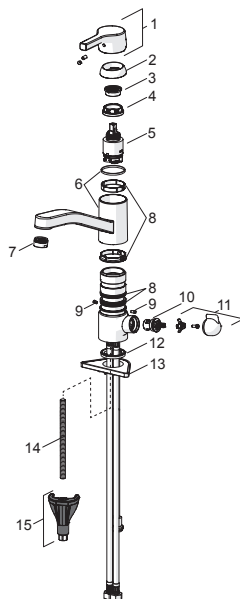
- 1 1005671V
- 2 601967V
- 3 601973V
- 4 601979V
- 5 601969V
- 6 1000832V
- 7 602064V
- 8 601983V
- 9 1000980/2
- 10 601982V
- 11 1002371V
- 12 158825
- 13 1000780V
- 14 602610V

KOMFORT



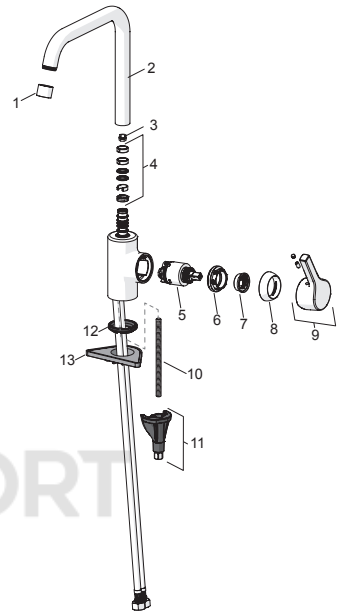
3935FH

- 1 1005671V
- 2 601967V
- 3 601973V
- 4 601979V
- 5 601969V
- 6 1000832V
- 7 602064V
- 8 601983V
- 9 1000980/2
- 10 602600V
- 11 1005697V
- 12 1002371V
- 13 158825
- 14 1000780V
- 15 602610V



3931FH

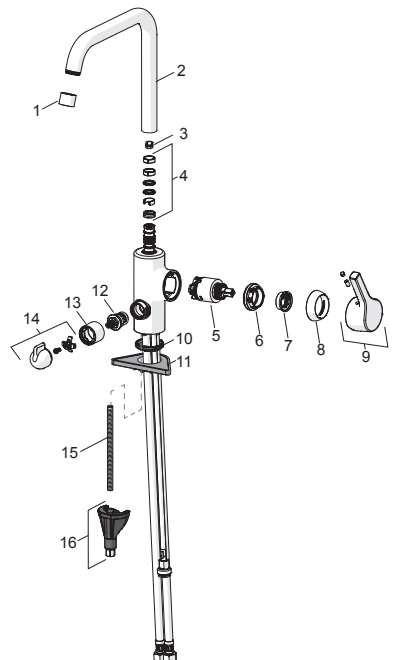
- 1 1001070V
- 2 1001049V
- 3 159670/10 (120°)
- 3 159667/10 (0°/60°)
- 4 1001098V
- 5 601969V
- 6 601968V
- 7 601973V
- 8 601967V
- 9 1005672V
- 10 1000780V
- 11 602610V
- 12 1002371V
- 13 158825



© KOMFORT

3936FH

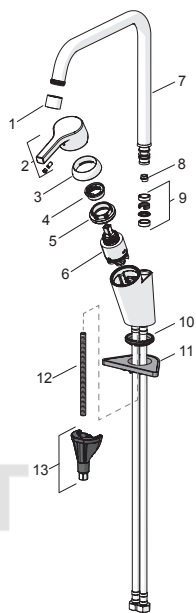
- 1 1001070V
- 2 1001049V
- 3 159667/10 (0°/60°)
- 3 159670/10 (120°)
- 4 1001098V
- 5 601969V
- 6 601968V
- 7 601973V
- 8 601967V
- 9 1005672V
- 10 1002371V
- 11 158825
- 12 602600V
- 13 1000240V
- 14 1005697V
- 15 1000780V
- 16 602610V





3933FH

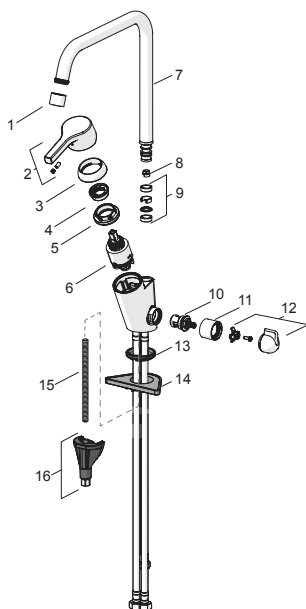
- 1 1001070V
- 2 1005671V
- 3 601967V
- 4 601973V
- 5 601968V
- 6 601969V
- 7 1000228V
- 8 159670/10 (120°)
- 8 159667/10 (60°/0°)
- 9 198287V
- 10 1002371V
- 11 158825
- 12 1000780V
- 13 602610V



KOMFORT

3934FH

- 1 1001070V
- 2 1005671V
- 3 601967V
- 4 601973V
- 5 601968V
- 6 601969V
- 7 1000228V
- 8 159670/10 (120°)
- 8 159667/10 (60°/0°)
- 9 198287V
- 10 602600V
- 11 1000240V
- 12 1005697V
- 13 1002371V
- 14 158825
- 15 1000780V
- 16 602610V



© KOMFORT

Oras Group is a powerful European provider of sanitary fittings: the market leader in the Nordics and a leading company in Continental Europe. The company's mission is to make the use of water easy and sustainable and its vision is to become the European leader of advanced sanitary fittings. Oras Group has two strong brands, Oras and Hansa.

The head office of the Group is located in Rauma, Finland, and the Group has three manufacturing sites: Kralovice (Czech Republic), Olesno (Poland) and Rauma (Finland). Oras Group employs approximately 1400 people in twenty countries. Oras Group is owned by Oras Invest, a family company and an industrial owner.

ORAS GROUP

Isometsäntie 2, P.O. Box 40

FI-26101 Rauma

Tel. +358 2 83 161

Fax +358 2 831 6300

info.finland@oras.com

www.oras.com

KOMFORT

