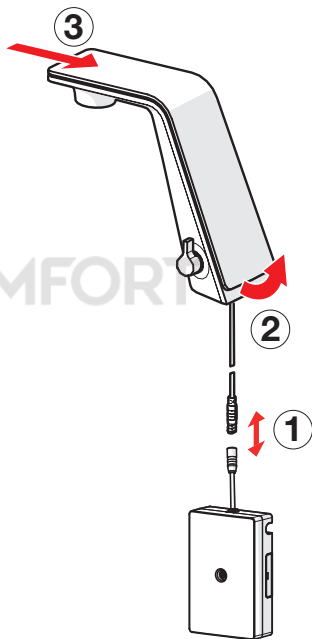


601697V, 601711V

1



2



© KOMFORT

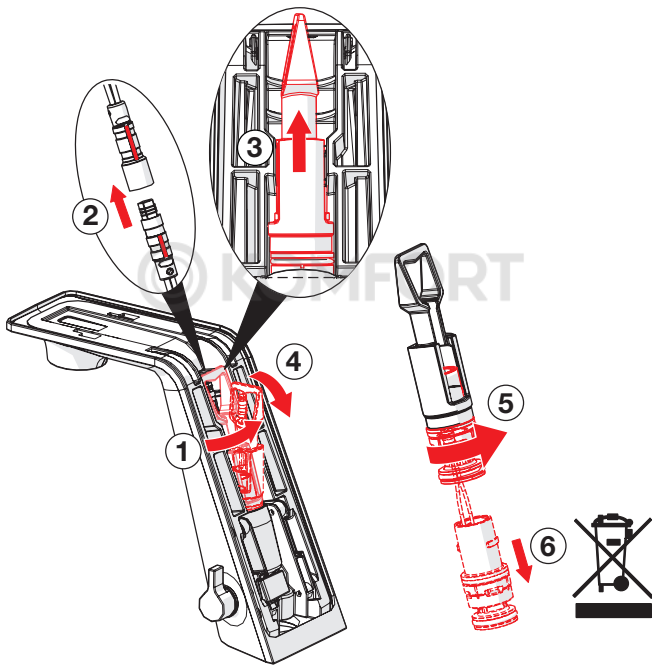
ILBAGNO **ALESSI**
by 

ORAS GROUP
Isometsäntie 2, P.O. Box 40
FI-26101 Rauma
Finland

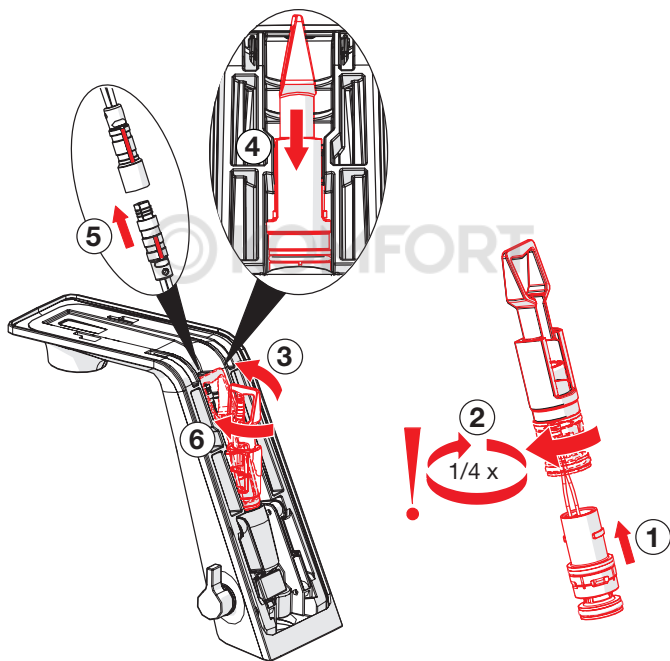
Tel. +358 2 83 161
Fax +358 2 831 6300
info.finland@oras.com
www.oras.com

943191/02/16

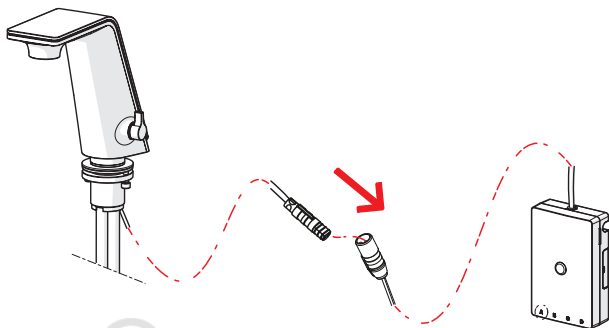
3



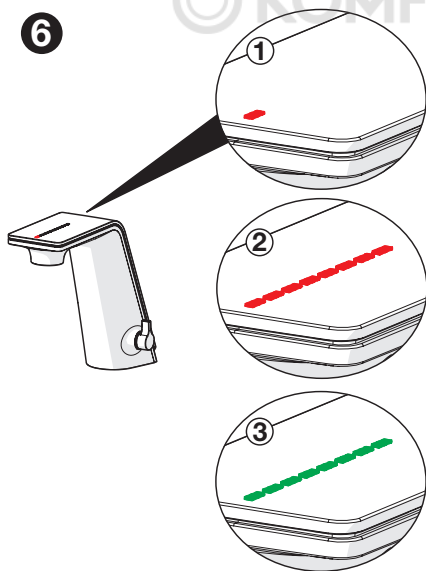
4



5



6



7

