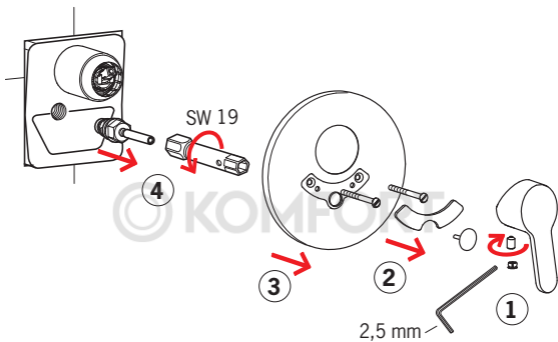


# 601994V



®



## ORAS GROUP

Isometsäntie 2  
P.O. Box 40  
FI-26101 Rauma  
Finland

Tel. +358 2 83 161  
Fax +358 2 831 6300  
Info.Finland@oras.com



ISO 9001 ISO 14001  
OHSAS 18001



**DNV**

CERTIFIED  
ORGANISATION

943158/12/14

[www.oras.com](http://www.oras.com)