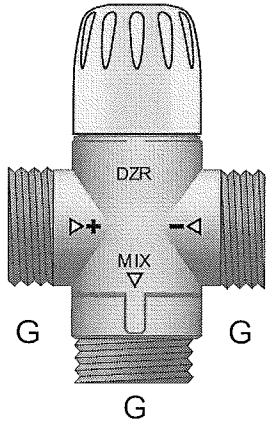
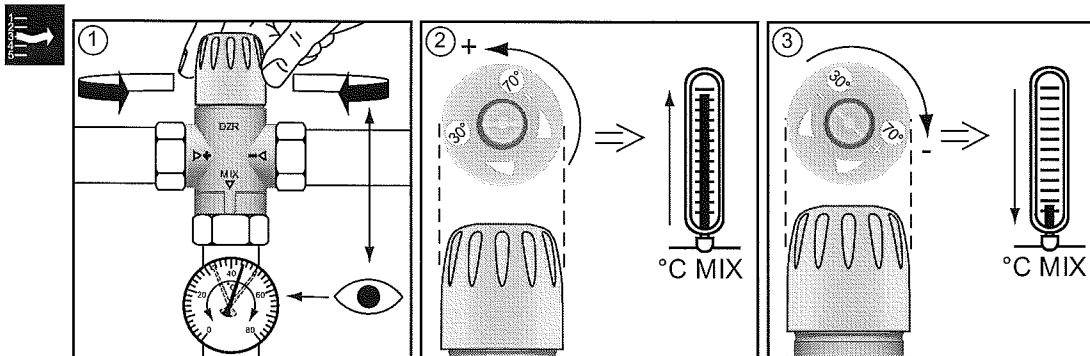
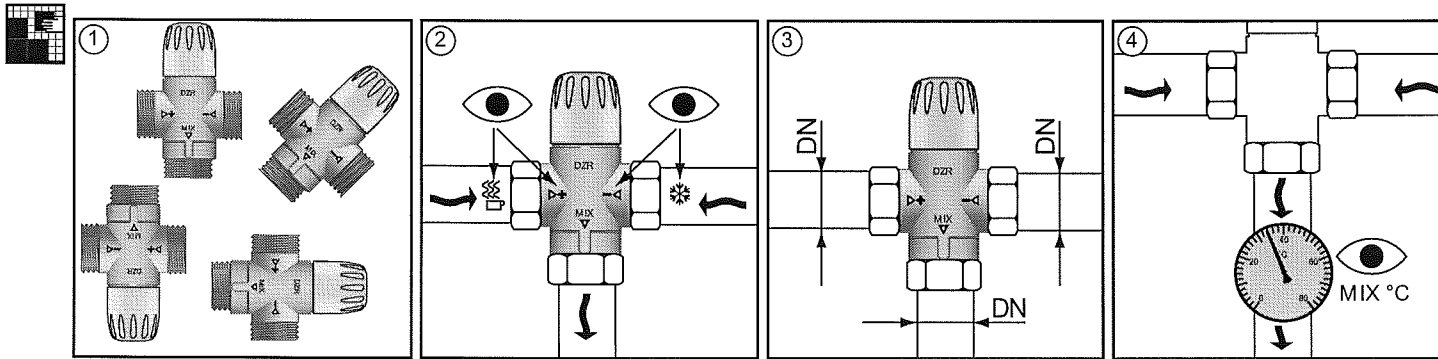
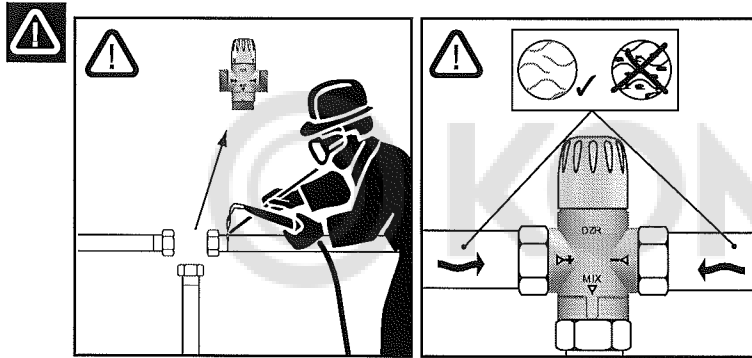


TVM-H / TVM-W



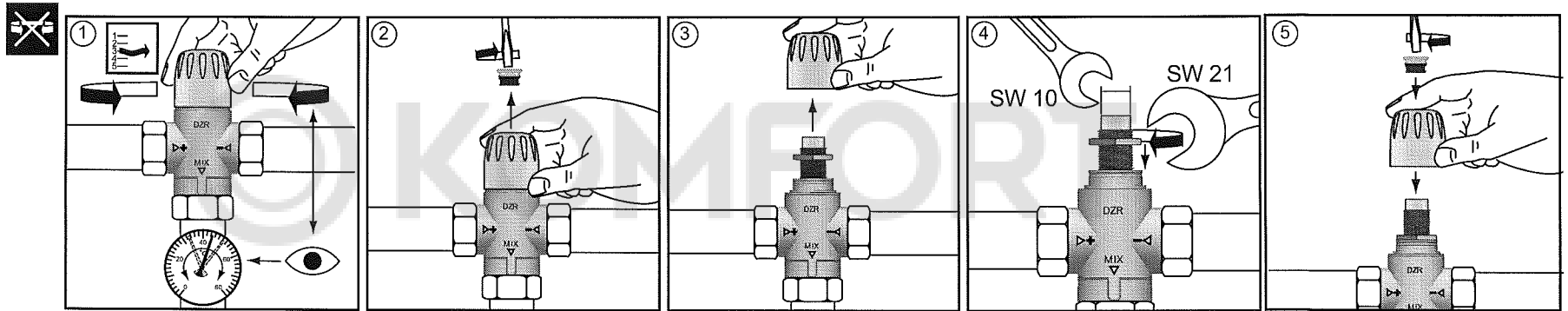
DN	G	Wrench	
20	1"	10	21
25	1 1/4"	10	21



MIX	30–70°C	
TB	100°C	
PB	10 bar	

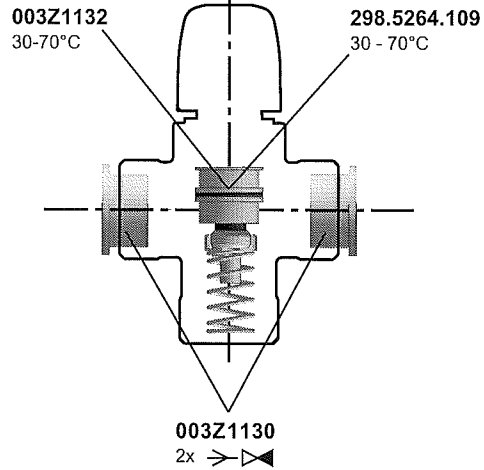


TVM-H / TVM-W



TVM-H: 1" DN20

TVM-W: 1" DN20



TVM-H: 1 1/4" DN25

