



Oras Electra

INSTALLATION AND MAINTENANCE GUIDE



© KOMFORT



4



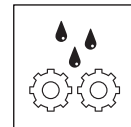
5-6



6



7



8-10

© KOMFORT



Oras App



apps.oras.com

Apple and the Apple logo are trademarks of Apple Inc., registered in the U.S. and other countries. App Store is a service mark of Apple Inc., registered in the U.S. and other countries.

Google Play and the Google Play logo are trademarks of Google Inc.

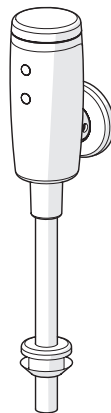
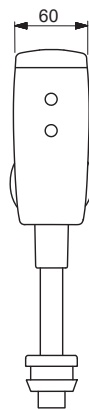
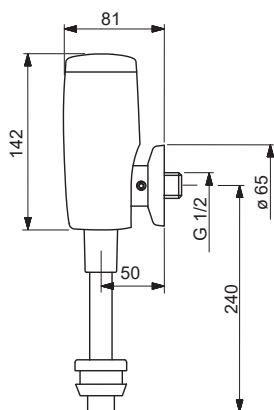
The Bluetooth® word mark and logos are registered trademarks owned by the Bluetooth SIG, Inc. and any use of such marks by Oras Group is under license. Other trademarks and trade names are those of their respective owners.



6567Z

EN 15091
50 - 1000 kPa
0.56 l/s (300 kPa)
40 kPa (0.2 l/s)
max. +70°C
Lithium 2CR5 6 V
IP 55

EMC 2014/30/EU



KOMFORT

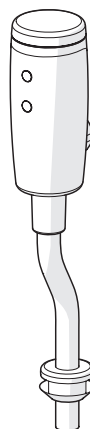
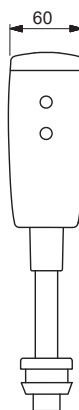
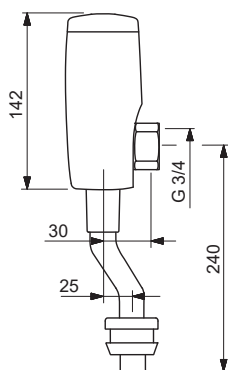


static.oras.com/6567Z

6568Z

EN 15091
50 - 1000 kPa
0.58 l/s (300 kPa)
40 kPa (0.2 l/s)
max. +70°C
Lithium 2CR5 6 V
IP 55

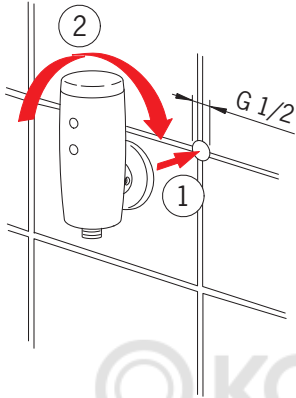
EMC 2014/30/EU



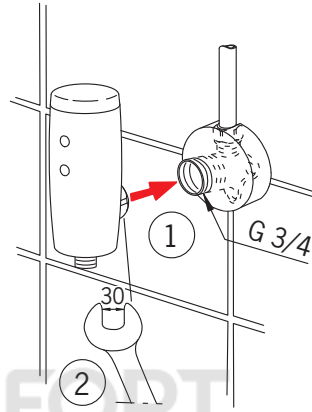
static.oras.com/6568Z

1

6567Z

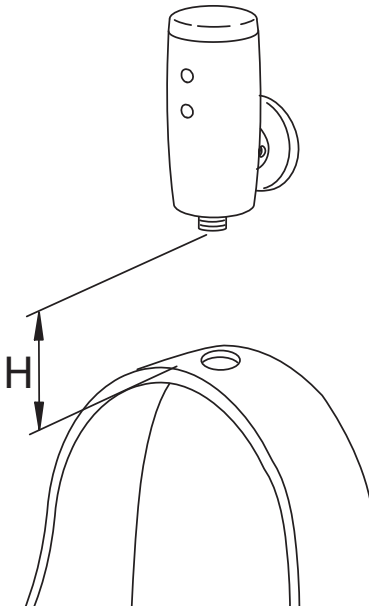


6568Z

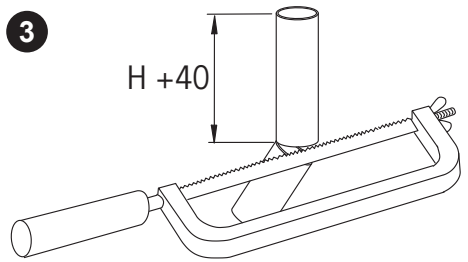


© KOMFORT

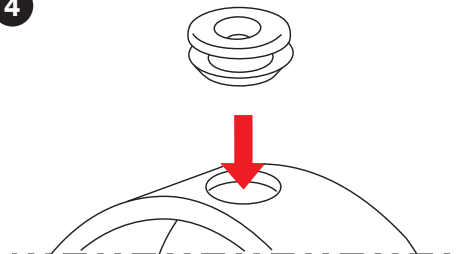
2

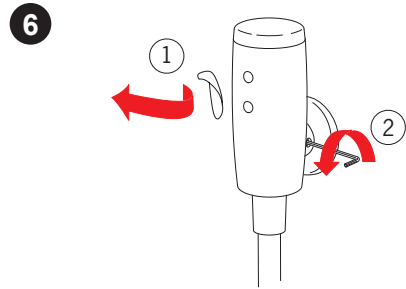
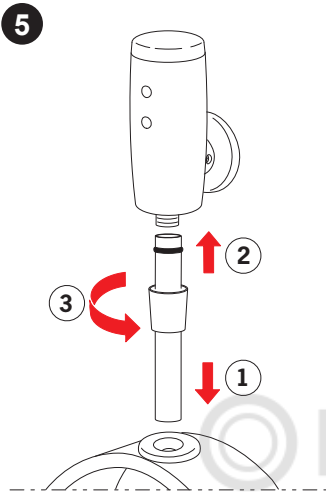


3

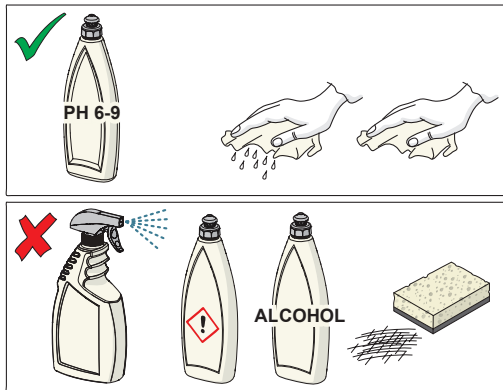


4



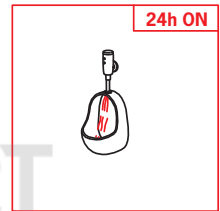
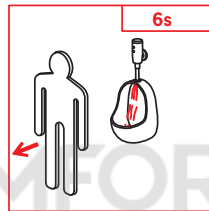
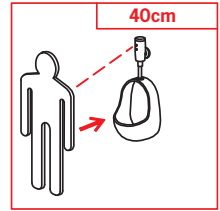
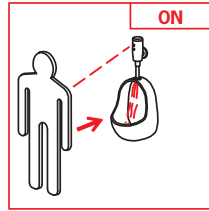
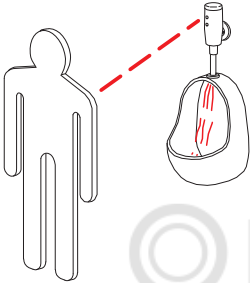


KOMFORT



CLEANING.ORAS.COM

Automatic



© KOMFORT



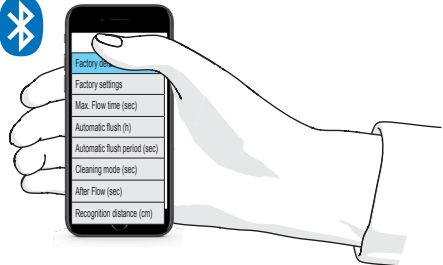
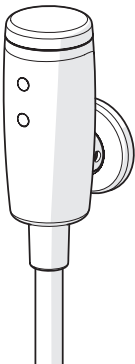
Oras App

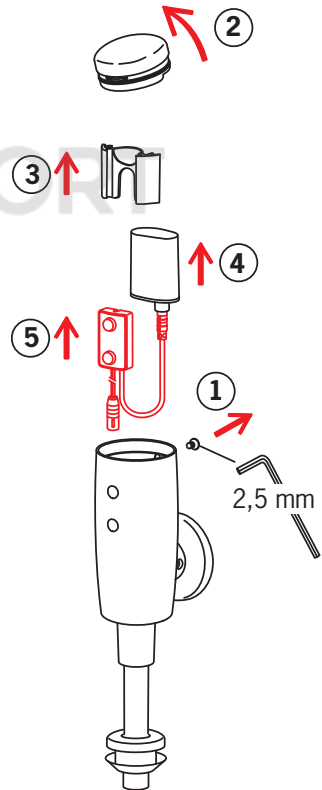
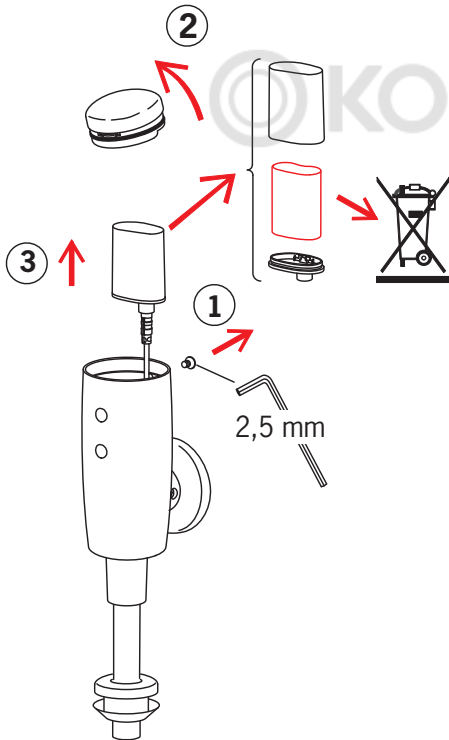
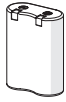


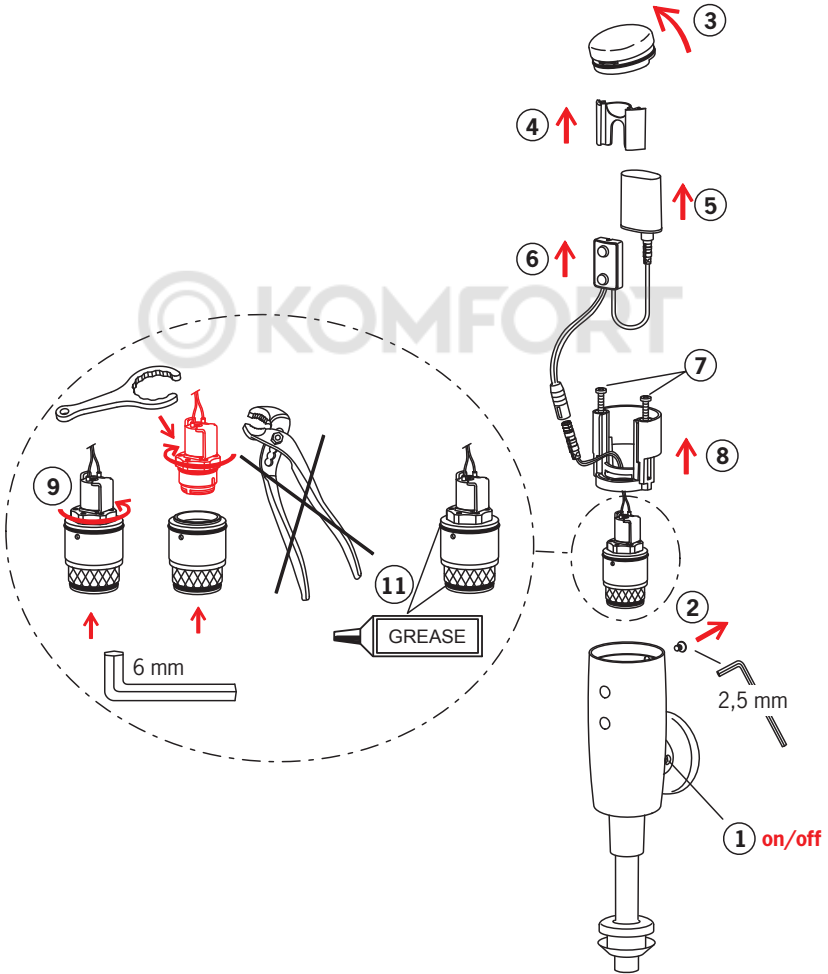
apps.oras.com

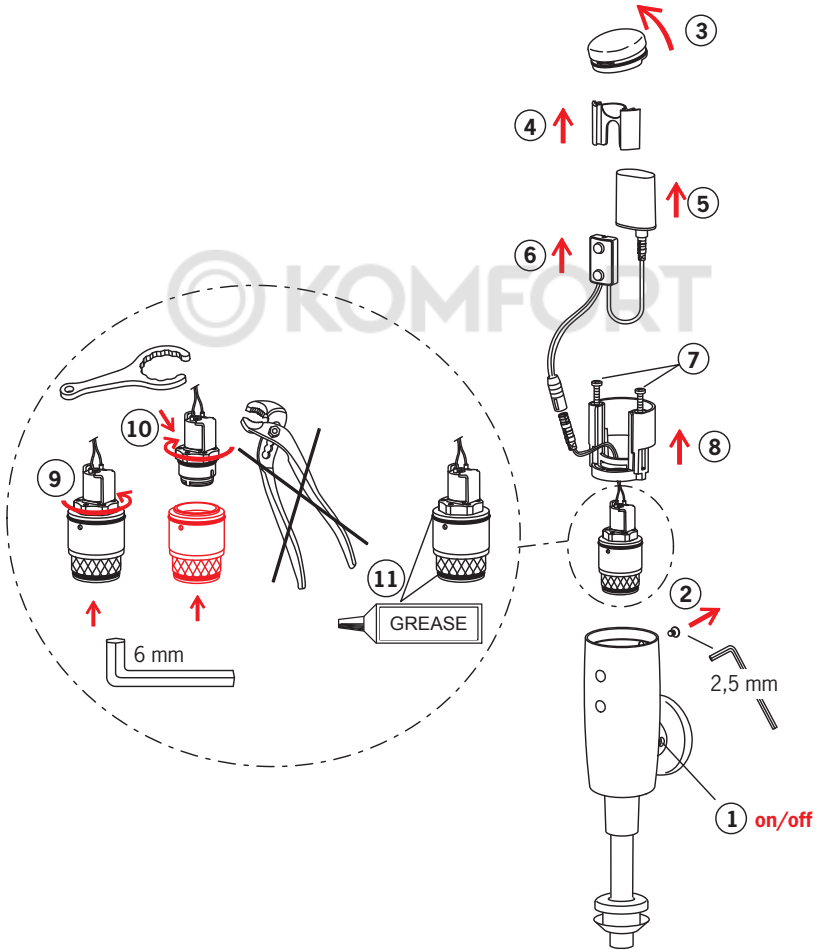


Bluetooth®









© KOMFORT

Oras Group is a powerful European provider of sanitary fittings: the market leader in the Nordics and a leading company in Continental Europe. The company's mission is to make the use of water easy and sustainable and its vision is to become the European leader of advanced sanitary fittings. Oras Group has two strong brands, Oras and Hansa.

The head office of the Group is located in Rauma, Finland, and the Group has three manufacturing sites: Kralovice (Czech Republic), Olesno (Poland) and Rauma (Finland). Oras Group employs approximately 1400 people in twenty countries. Oras Group is owned by Oras Invest, a family company and an industrial owner.

ORAS LTD
Isometsäntie 2, P.O. Box 40
FI-26101 Rauma
Tel. +358 2 83 161
Fax +358 2 831 6300
info.finland@oras.com
www.oras.com

KOMFORT

