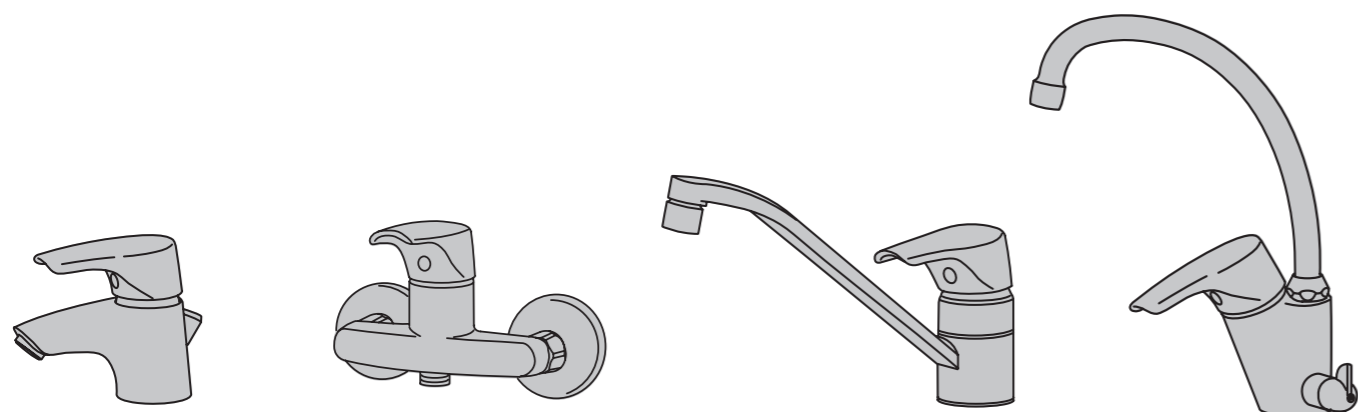
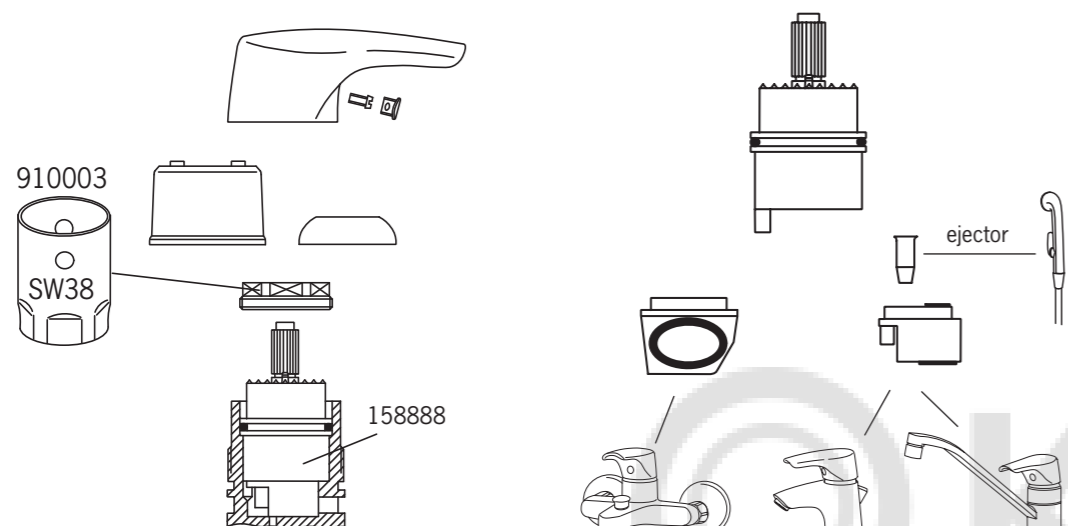
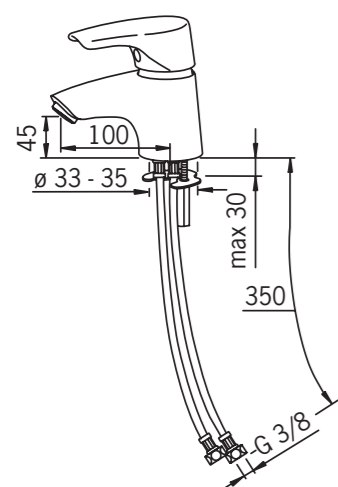


- Ein- und Ausbau der Kartusche • To change the cartridge • Udskiftning af reguleringskassette (unit)
- Montaje del cartucho • Seadeosa vahetus • Säättöosan vaihto • Vervangen van het keramische binnenwerk
- Montage et démontage de la cartouche • Montaggio della cartuccia • Regulēšanas mehānisma kasetes maiņa
- Valdančiosios kasetės pakeitimas • Skifting av kassett • Wymiana modułu sterującego
- Замена регулировочного блока • Byte av kassett • Výměna kartuše •

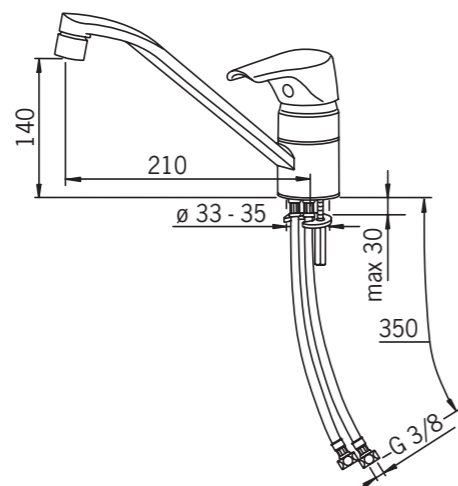


#### Oras Saga

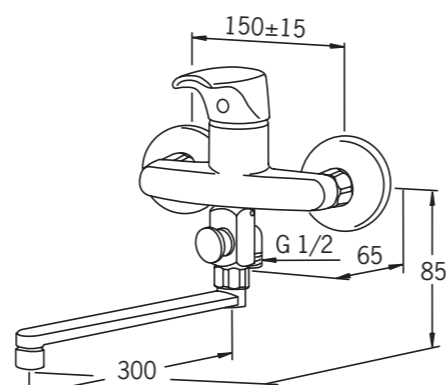
1910F  
Oras Saga для умывальник



1930F  
Oras Saga для кухни



1942Y  
Oras Saga для ванны и душа



## Installation and Maintenance Guide Oras Saga



Oras develops, manufactures and markets user-friendly and innovative faucet systems and the related valves and modules. The design and technical solutions of our products are driven by user-friendliness. Oras is the Nordic market leader and one of the Europe's largest manufacturers of faucets. The Oras Group has production facilities in Finland, Poland, and Norway. A large and versatile collection and alternatives for different purposes enable you to find the right faucet for every purpose. For the further details please apply to Oras web site at [www.oras.com](http://www.oras.com)

Det Norske Veritas Certification OY/AB certifies that the Quality Management System of Oras Oy in Rauma Finland, conforms to the ISO 9001:2000 and the Environmental Management System to the ISO 14001:2004 standard. The certificates are valid for development, manufacture, marketing, sales and after sales services of faucets, accessories and valves.



Water Is Worth Loving.

The TÜV CERT Certification Body of TÜV NORD Zertifizierungs- und Umweltgutachter Gesellschaft mbH certifies that Oras Olesno Sp. z o.o. in Olesno Poland has established and applies Quality and Environmental Management System for manufacture, storage, marketing, sales and after sales services of faucets, valves and accessories. Proof has been provided that the requirements according to ISO 9001:2000 and ISO 14001:2004 are fulfilled.

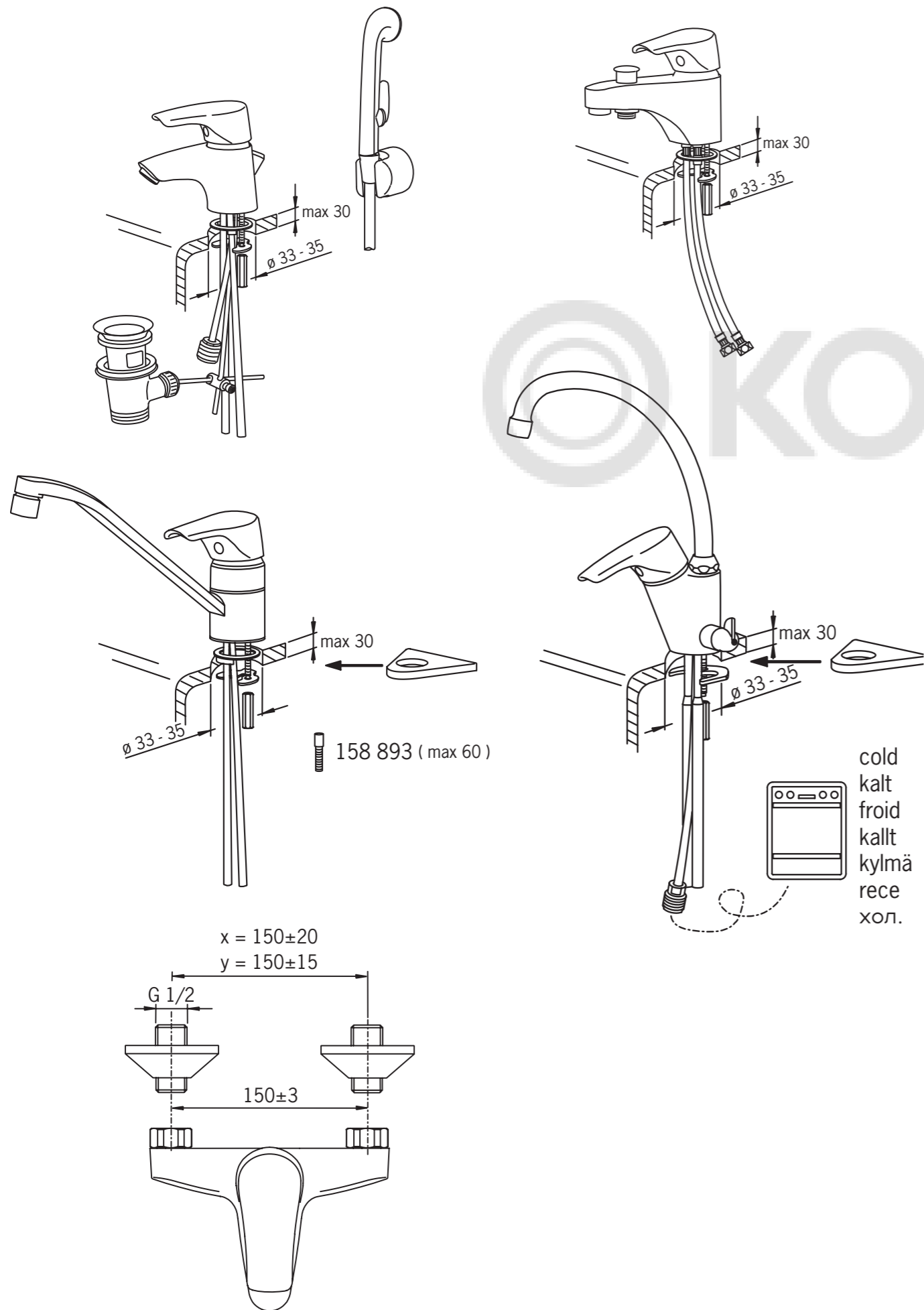


**ORAS LTD**  
Isometsäntie 2, P.O. Box 40  
FI-26101 Rauma  
Finland  
Puh. +358 (0)2 83 161  
Fax +358 (0)2 831 6300  
Info.Finland@oras.com

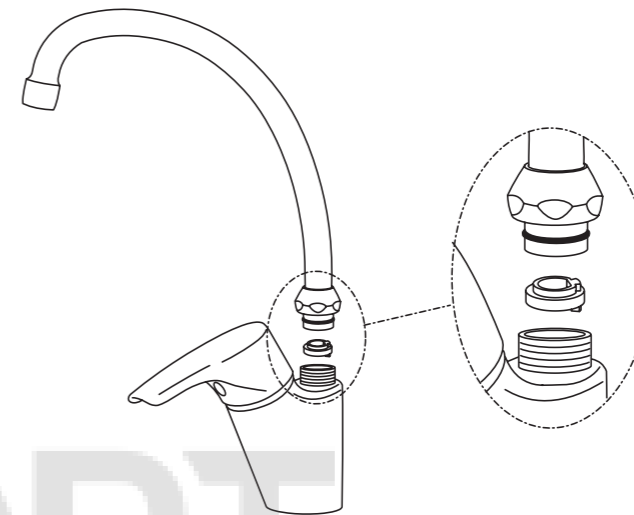


[www.oras.com](http://www.oras.com)

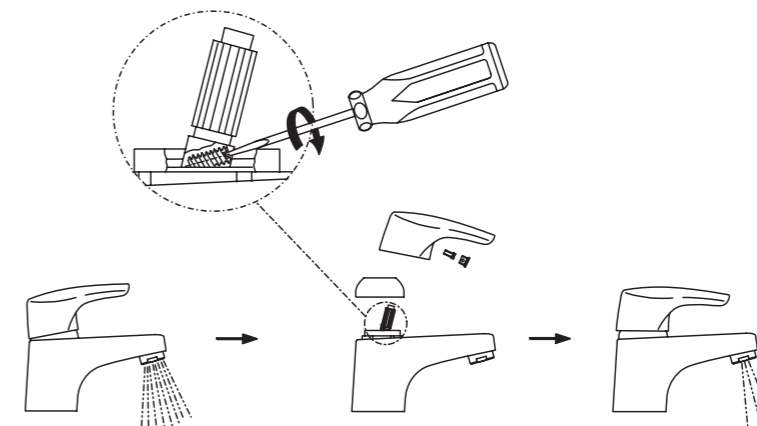
- Montage • Installation • Installation • Montaje • Paigaldus • Asennus • Installatie • Installation • Montaggio
- Montáža • Montavimas • Montering • Instalacja • Установка • Installation • Montáž •



- Montage Auslauf • Spout installation • Montering af tud • Instalación del caño • Jooksutoru paigaldamine
- Juoksutputken asennus • Installatie uitloop • Montage du bec • Montaggio bocca • Iztekas uzstādišana
- Montering av utloppspip • Instalacja wylewki • Установка излива • Montering av tut • Instalace výtokového ramene •



- Bergenzung der Durchflußmenge • Limiting the flow rate • Begrænsning af vandmængden • Vooluhulga piiramine
- Virtaaman rajoitus • Begrenzing van de doorstroomhoeveelheid • Limitation du débit • Limitazione della portata
- Ūdens plūsmas ierobežošana • Vandens srovės reguliavimas • Begrensning av vannmengden
- Ograniczenie wielkości strumienia • Регулирование потока • Flödesbegrænsning • Omezení průtoku •



- Austausch der Auslaufdichtungen • Changing the spout's seals • Udsiftning af svingtudens pakninger
- Huulitikhendite vahetamine • Tiivisteiden vaihto • Lippendichtingen vervangen • Remplacement des joints de bec
- Iztekas un blīvslēgu maiņa • Šnapelio tarpinių pakeitimas • Utbyte av manschettpackningar
- Wymiana uszczeltek wylewki • Замена прокладок сливной трубы или замена сливной трубы
- Bytting av svingtutens pakninger • Výměna těsnění •

