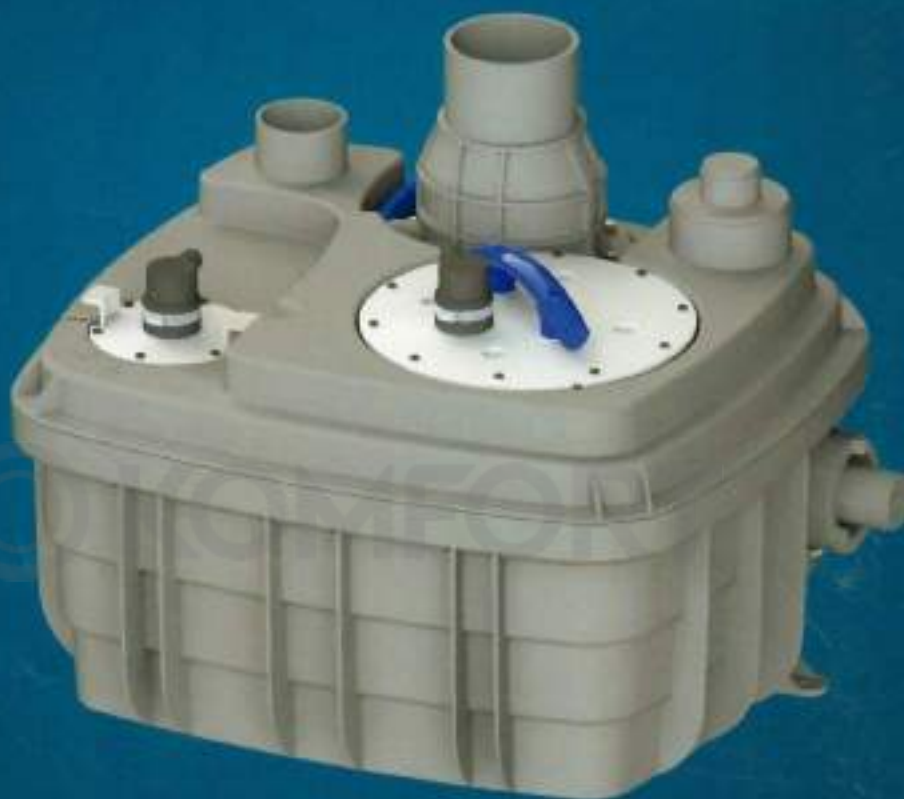


CUBIC 1 VX

172

11.18

SFA



SANICUBIC® 1 VX

FR NOTICE D'INSTALLATION

UK INSTALLATION INSTRUCTIONS

DE INSTALLATIONSHINWEISE

IT STRUZIONI PER L'INSTALLAZIONE

ES MANUAL DE INSTALACIÓN

PT MANUAL DE INSTALAÇÃO

NL INSTALLATIE VOORSCHRIFTEN

SE INSTALLATIONSANVISNING

DK INSTALLATIONSVEJLEDNING

NO INSTALLASJONSANVISNING

FI ASENNUSOHJEET

HU FELSZERELÉSI ÉS KEZELÉSI ÚTMUTATÓ

PL INSTRUKCJA INSTALACJI

RU ИНСТРУКЦИЯ ПО МОНТАЖУ И ЭКСПЛУАТАЦИИ

RO MANUAL DE INSTALARE

CZ NÁVOD K INSTALACI A POUŽÍVÁNÍ

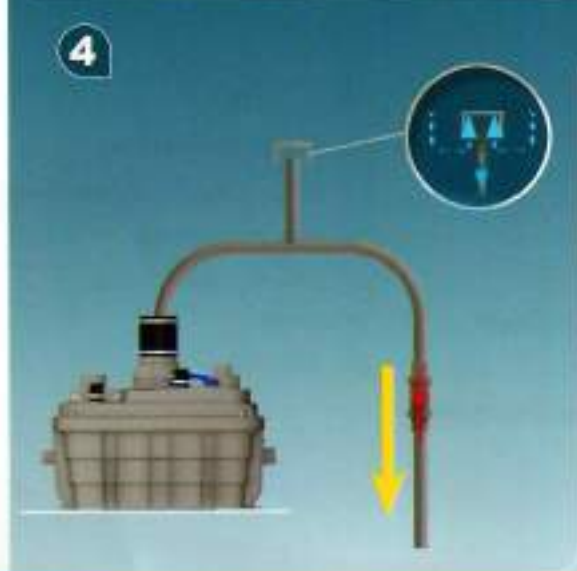
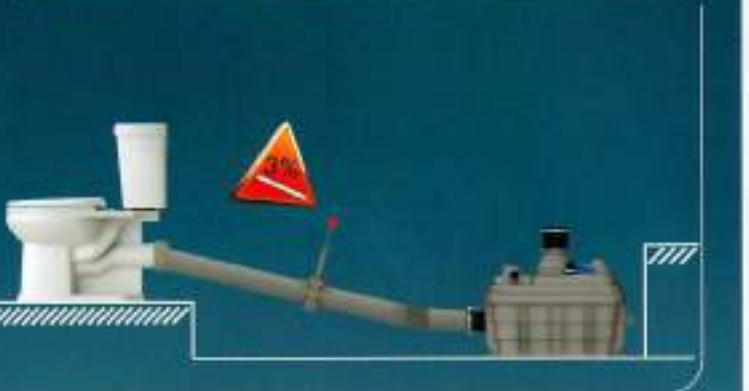
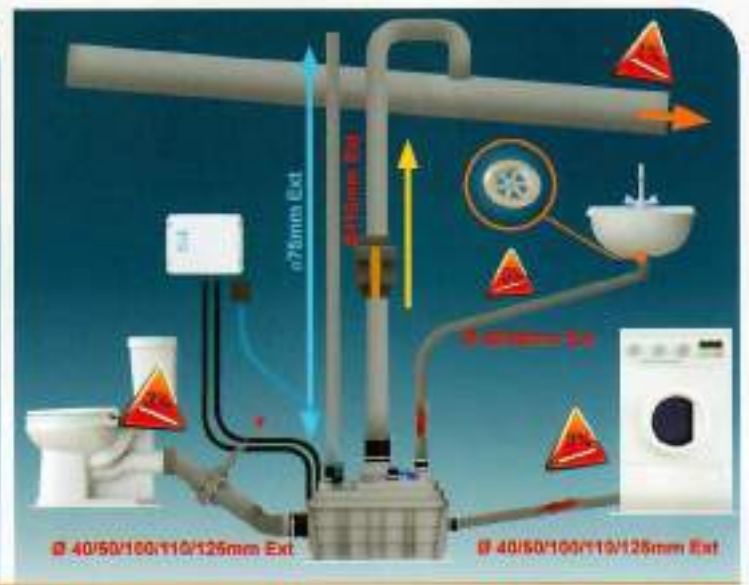
TR KURULUM KILAVUZU

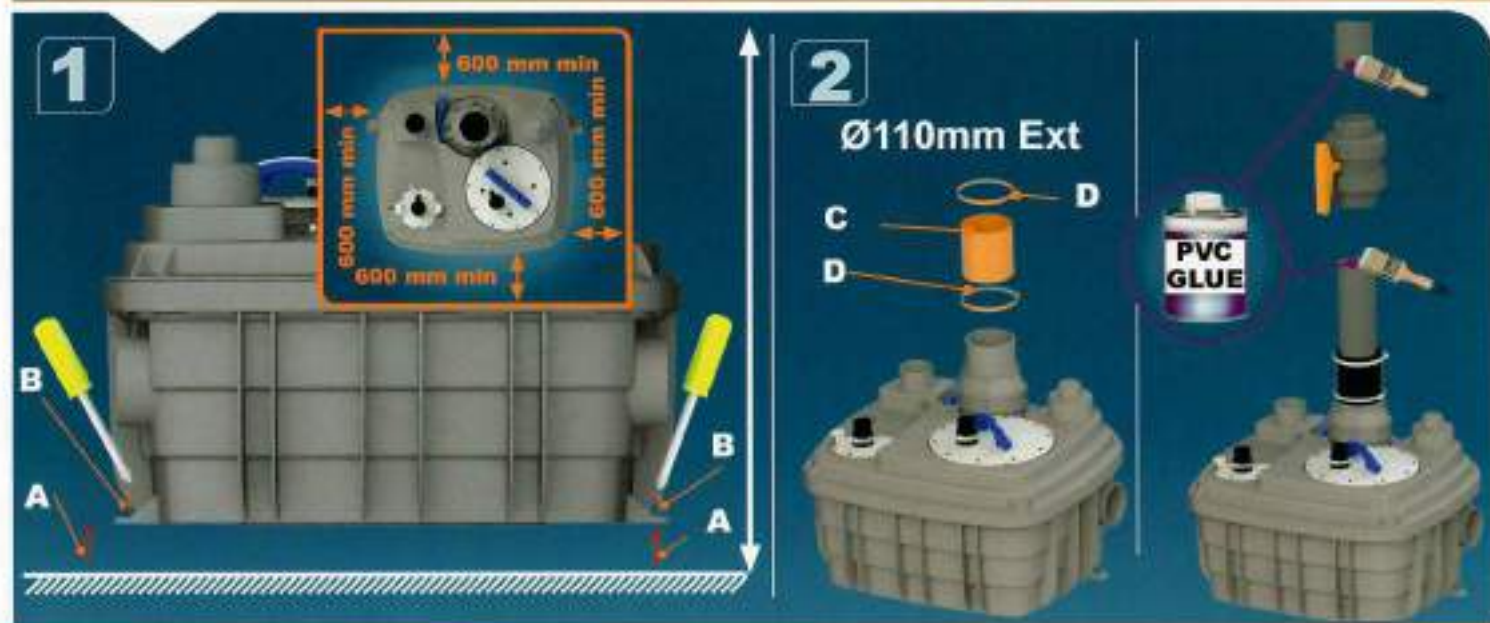
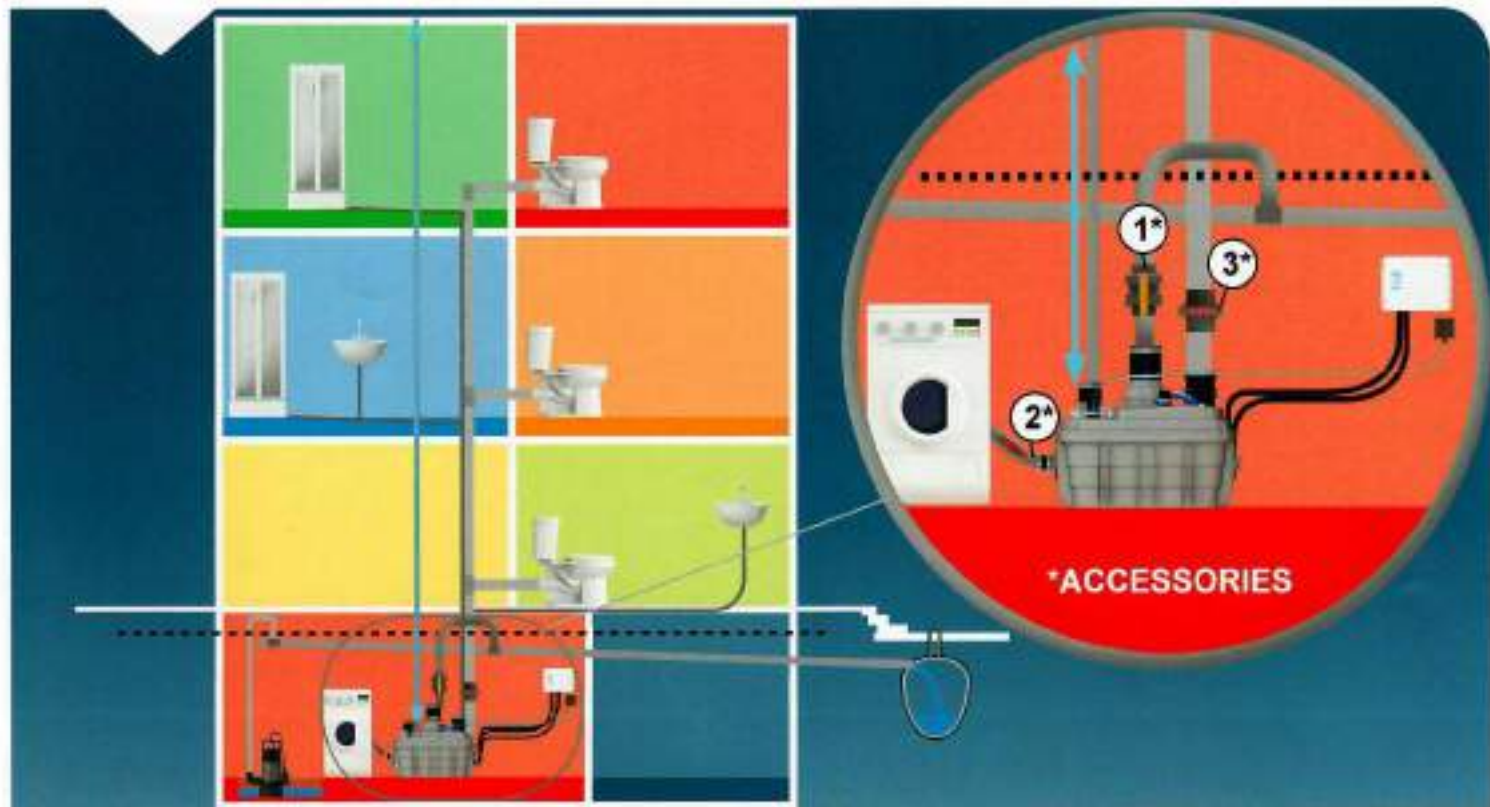
EL ΟΔΗΓΙΕΣ ΕΓΚΑΤΑΣΤΑΣΗΣ

CN 安装与使用

KR 설치내용서

CE





3

Ø 40/50mm Ext



4

Ø 100/110/125mm Ext



5



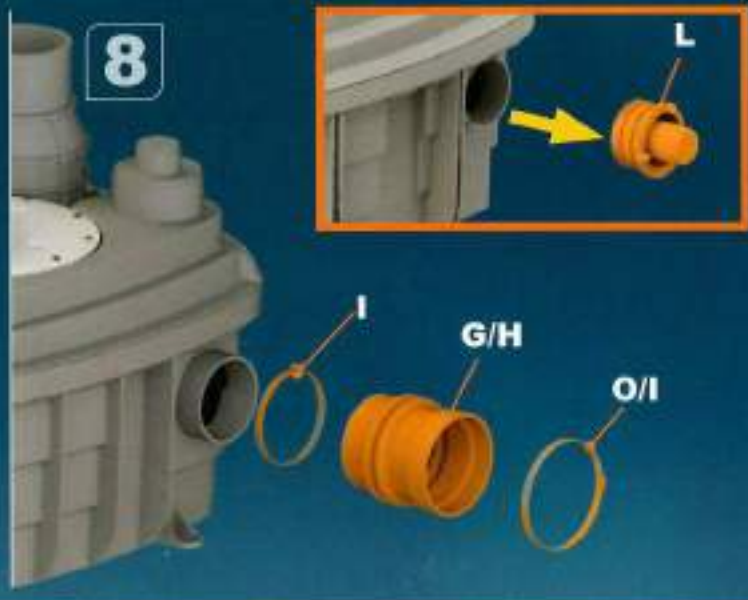
6



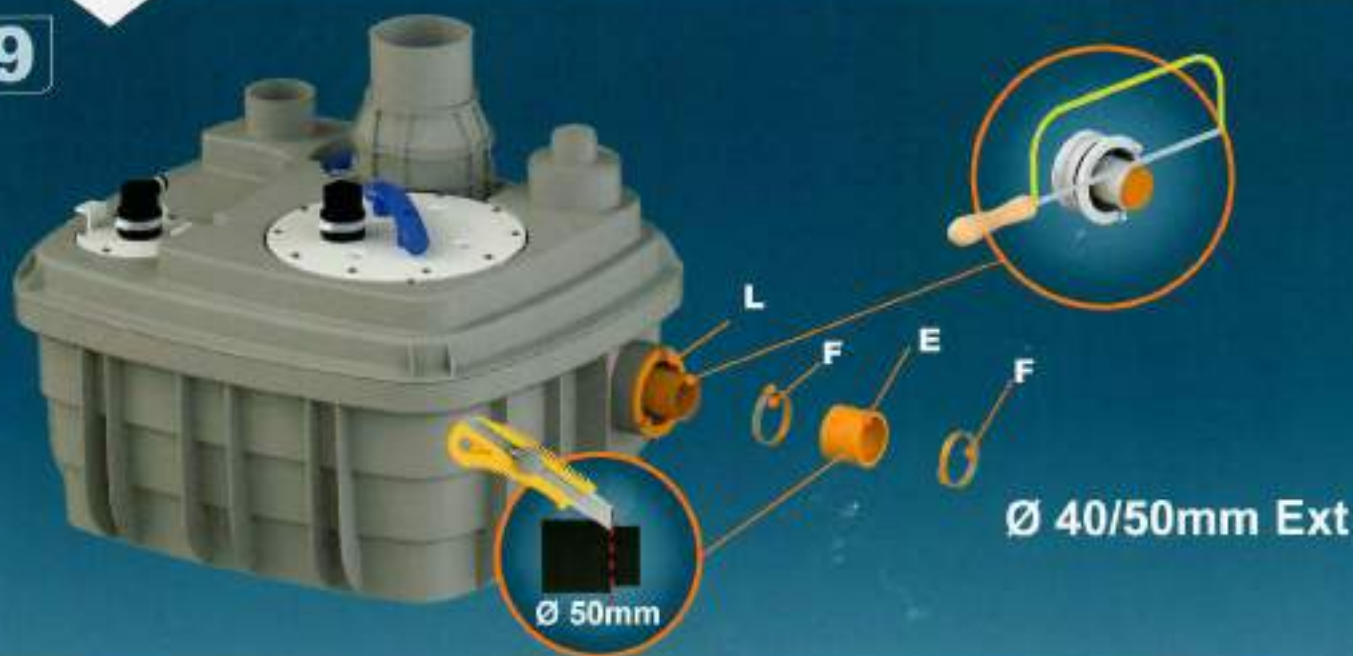
7



8



9



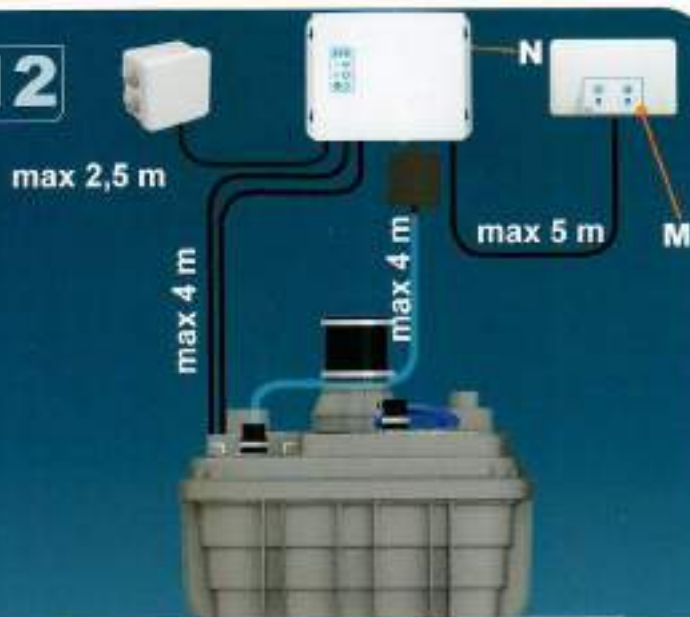
10

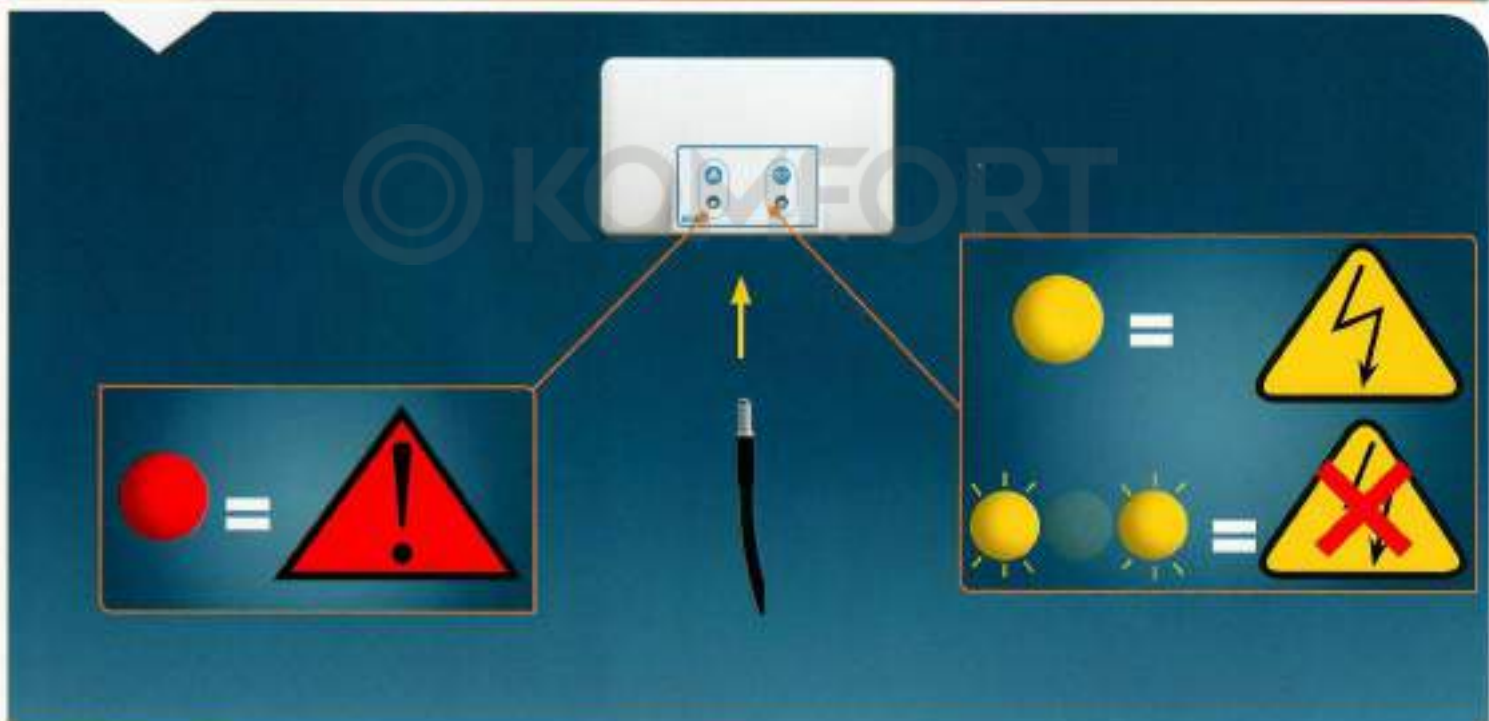
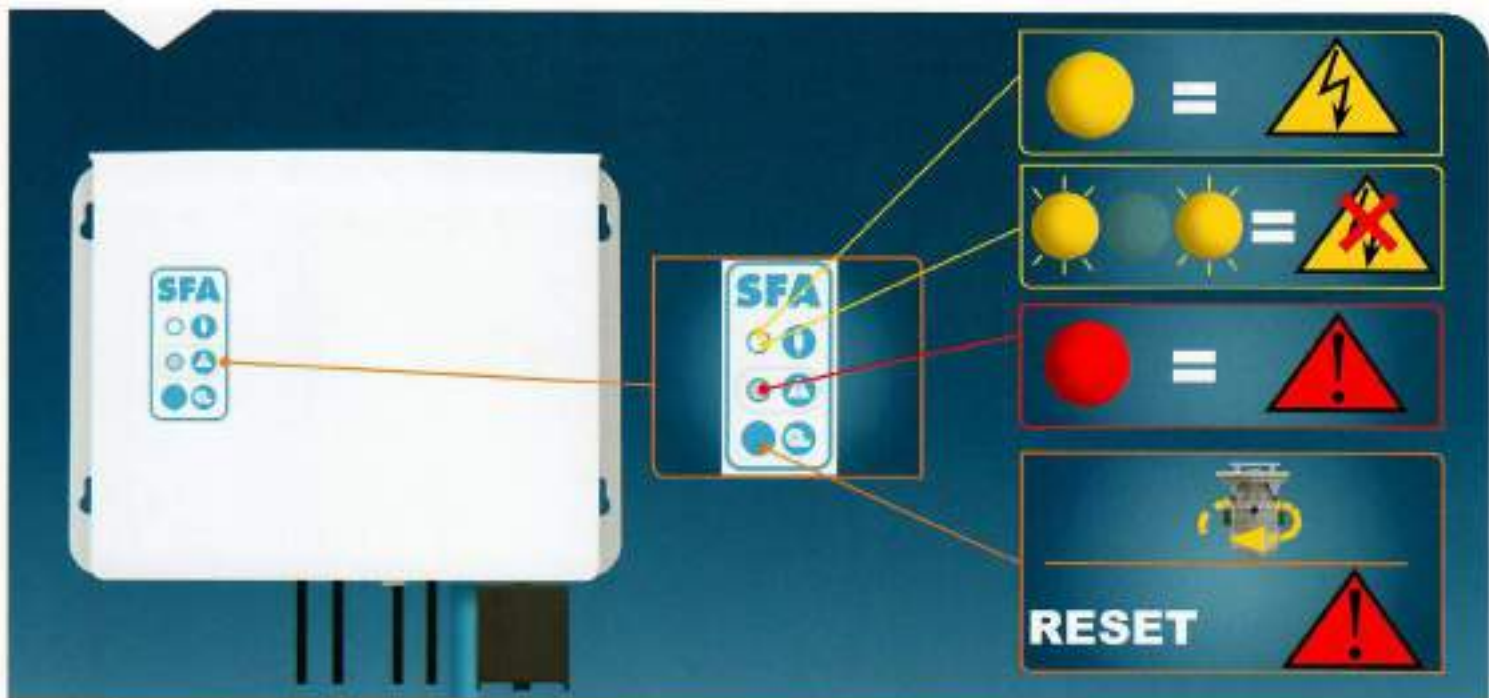


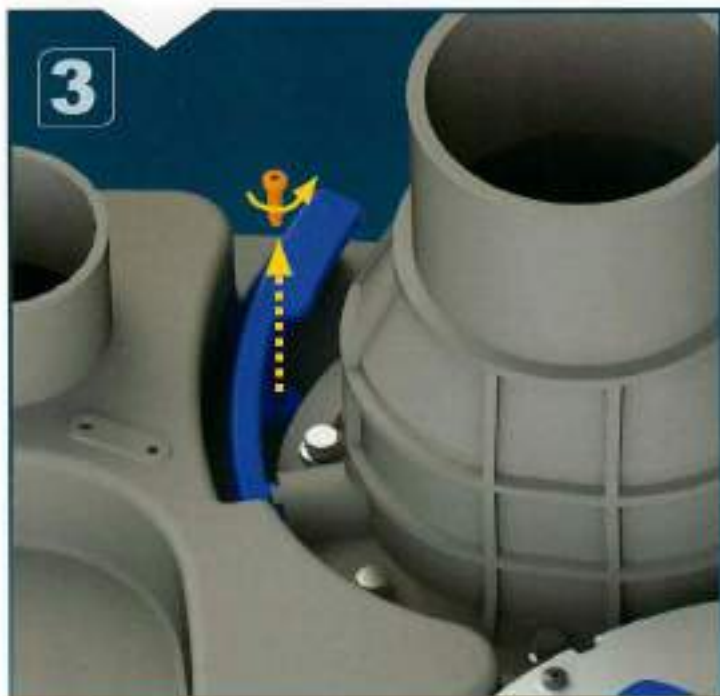
11



12







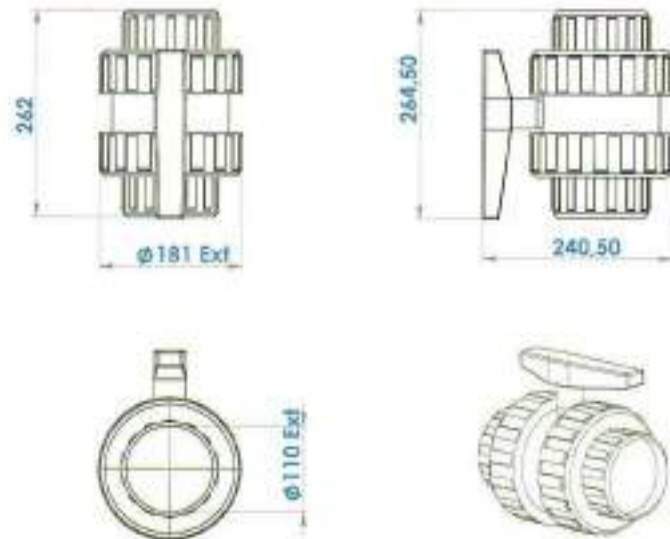


ACCESSORIES OPTION

1



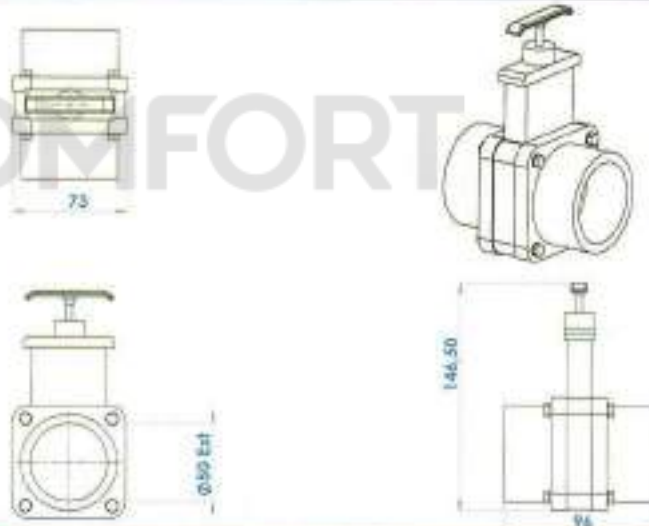
Ø110mm Ext
For discharge pipe



2



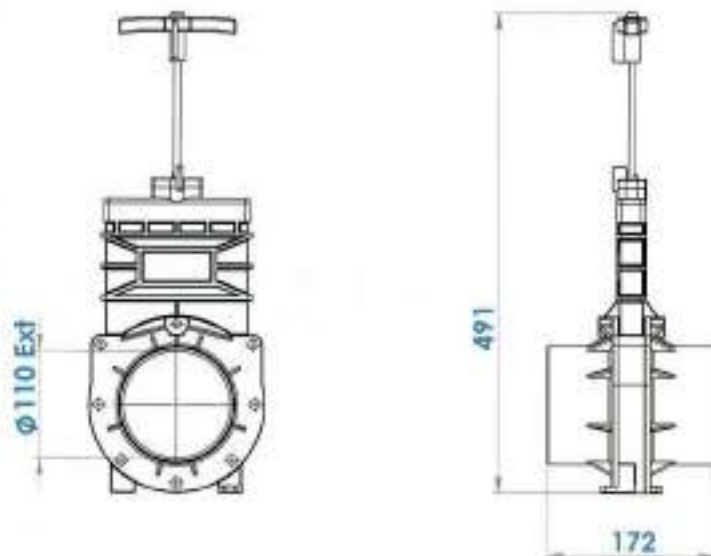
Ø50mm Ext
For inlet pipe

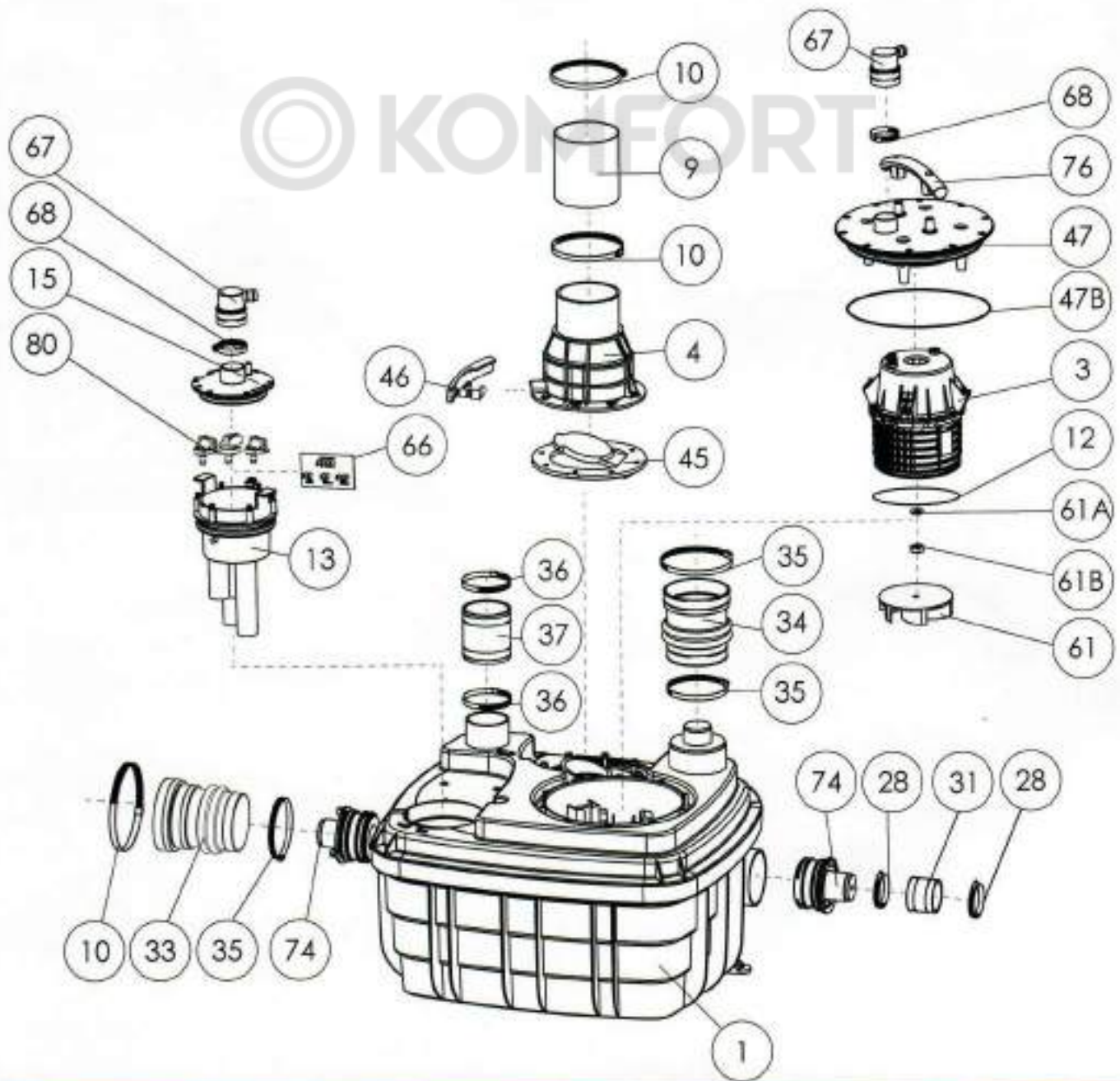
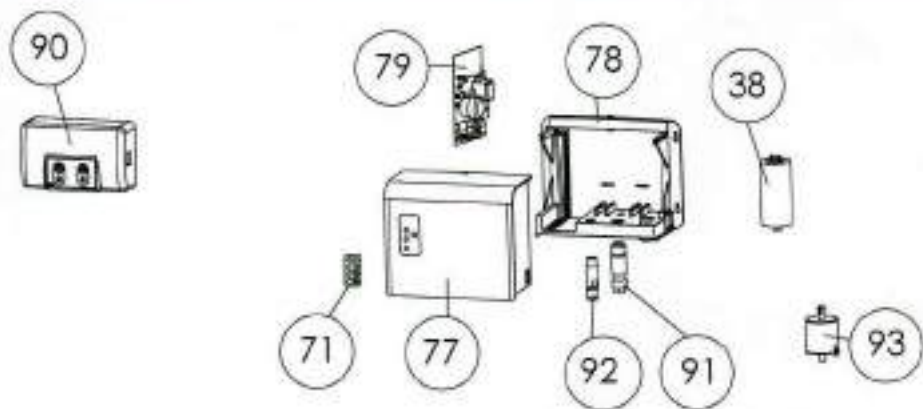


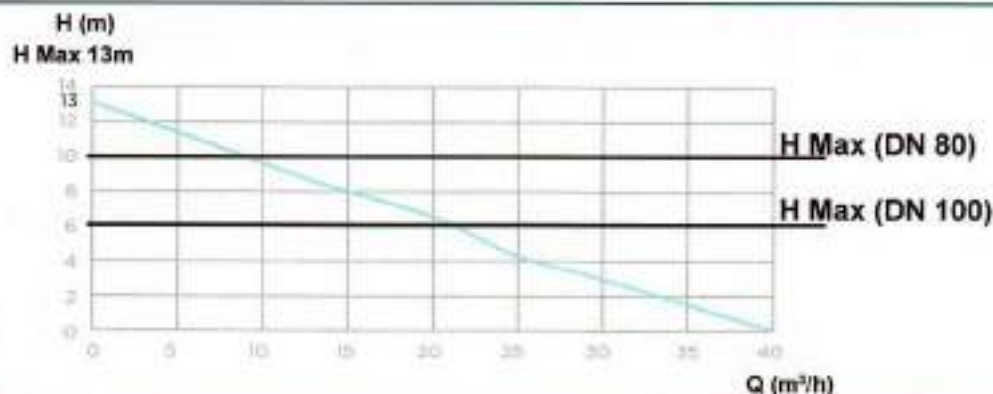
3



**Ø 100mm
or 110mm Ext.**
For inlet pipe



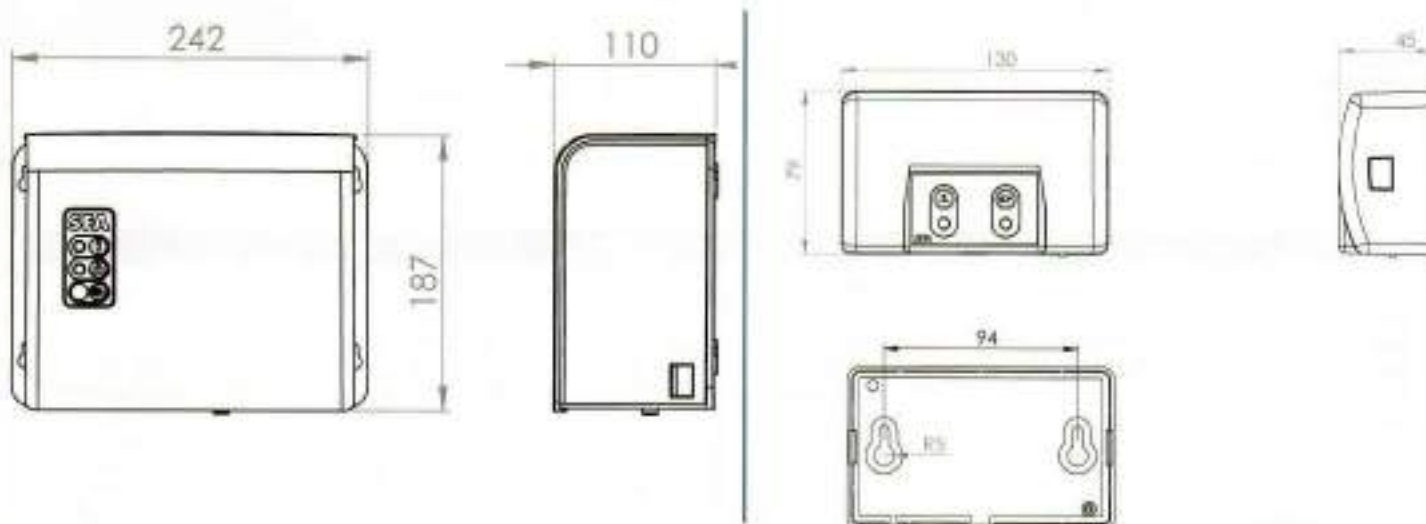


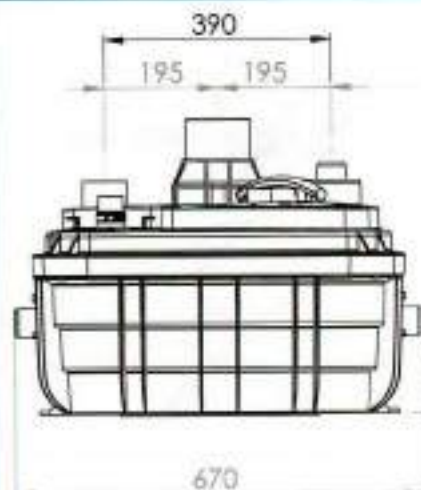


SANICUBIC 1 VX EN 12050-1

Data specifications

| | |
|--|----------------------------------|
| Type of current | 1 phase |
| Voltage | 220-240V |
| Frequency | 50-60 Hz |
| Motor rating | 2 kW |
| Current | 8 A |
| Cable (4m) sensor - control box | H07RN-F 3X1,5 |
| Cable (4m) engine - control box | H07RN-F 4G1,5 |
| Cable (2,5m) Power supply cable | H07RN-F 3G1,5 |
| Protection code | Station: IP68, control box: IPX4 |
| Max. discharge height (Q=0m ³ /h) | 13 m |
| Max. flow rate | 40 m ³ /h |
| Max temperature | 35°C (70°C , 5 min) |
| Free passage | 50 mm |
| Tank volume | 60 L |
| Useful volume | 21 L |
| ON / OFF level activation | 165 mm /65 mm |
| ON alarm activation | 235 mm |
| Weight including accessories | 30 kg |
| Discharge | Øext 110 mm |
| Inlet | Øext 125,110,100,50,40 mm |
| Ventilation | Øext 75 mm |





FRANCE

SOCIÉTÉ FRANÇAISE D'ASSAINISSEMENT
41 bis avenue Blosquett - 75007 Paris
Tel. +33 1 44 82 39 00
Fax +33 1 44 82 39 01

UNITED KINGDOM

SANIFLO Ltd.
Howard House, The Runway
South Pluisip Middle,
HVA 6 SE
Tel. +44 208 842 0030
Fax +44 208 842 1671

IRELAND

SANIFLO Ltd
IDA Industrial Estate
Edenderry - County Offaly
Tel. + 353 45 9735 102
Fax + 353 45 97 33 093

AUSTRALIA

SANIFLO (Australia) Pty Ltd
Unit 9/10, 25 Gibbes Street
Cherrywood NSW 2007
Tel. +61 298 825 330
Fax +61 298 825 950

DEUTSCHLAND

SFA SANIFLO GmbH
Waldstr. 23 Geb. 95 - 63128
Dietzenbach
Tel. (060 74) 30828-0
Fax (060 74) 30828-90

ITALIA

SFA ITALIA spa
Via dei Bonesseri, 9
20010 Sidano (PV)
Tel. 03 82 81 81
Fax 03 82 81 8200

ESPAÑA

SFA S.L.
C/ Vinyalets, 1 - Pl. Can Vinyalets
08130 Sta. - Porpeta de Moya - Barcelona
Tel. +34 93 544 60 70
Fax +34 93 482 18 98

PORTUGAL

SFA, Lda.
Sinta Business Park, set. 01 - 1920-10-069 SINTRA
Tel. +35 21 911 27 85
Fax +35 21 957 70 00

POCCMR

SFA POCOMR
18100 Moscow - Pochtovaya 10
Tel. (495) 258 29 51
Fax. (495) 258 29 51

SUISSE SCHWEIZ SWIZZERA

SFA SANIFLO AG
Vorsiedl 4
3290 Wangen a. A.
Tel. + 41 (0)32 631 04 74
Fax + 41 (0)32 631 04 75

BENELUX

SFA BENELUX B.V.
Industrieweg 10-d,
8101 WS ECHT
Tel. +31 475 487100
Fax +31 475 482515

SVERIGE

SANIFLO AB
Box 797
S-191 27 Gallands
Tel. +46 (0)8-404 15 30
info@santifo.se

POLSKA

SFA POLAND Sp. z o.o.
ul. Rakocicka 168
01-251 Warszawa
Tel. (+4822) 732 00 32
Fax (+4822) 751 35 16

ČESKÁ REPUBLIKA

SFA-SANIFLO, spol. s r.o.
Sokolovská 445/212, 160 00 Praha 4
Tel. +420 266 712 855
Fax. +420 266 712 856

ROMANIA

SFA SANIFLO S.R.L.
145B Filipeni Street District 3
31177 BUCURESTI
Tel. +40 256 245 022
Fax +40 256 245 029

TÜRKIYE

SFA SANIFLO LTD STI
Mecidiye Cad. No:36-B Sarıyeran APT
34034 MECIDIYEDÖY - İSTANBUL
Tel. +90 212 275 30 88
Fax. +90 212 275 90 59

CHINA

SFA 中国
上海洋联实业区石门二路333弄3号德安
广场恒安大厦27C (200041)
Tel. +86(0)21 6218 8009
Fax. +86(0)21 6218 8970

KOREA

www.SFA.biz
sales@santifo-korea.kr

South Africa

Santifo Africa (PTY) Ltd
Unit A6, Spearhead Business Park
Cnr. Freedom Way & Montague Drive
Montague Gardens, 7441
Tel. +27 (0)21 295 00 28
www.santifo.co.za

BRAZIL

SFA Brasil Equipamentos Sanitários,
Rua Maria Figueiredo 505
CEP 04032-003 SAO PAULO / SP
Tel. (11) 3062-2292
santifo@santifo.com.br

NEW ZEALAND

Santifo New Zealand Ltd
PO Box 283 Royal Oak,
Auckland 1340
Tel. 09 290 9919
Fax. +61 2 9882 9830

SERVICE HELPLINES

| | TEL | FAX | | FAX |
|-------------------------|--------------------------------------|---------------------|-----------------|--------------------|
| France | 01 44 82 25 55 | 03 44 94 46 19 | Benelux | +31 475 487100 |
| United Kingdom | 08457 650011 (Call from a land line) | 020 8842 1671 | Norge | +46 (0)8-404 15 30 |
| Ireland | 1850 23 24 25 (LOW CALL) | + 353 46 97 33093 | Norge | +46 (0)6-404 15 30 |
| Australia | +1300 554 779 | +61.2.0882.8950 | Polska | (+4822) 732 00 33 |
| Deutschland | 0800 82 27 82 0 | (060 74) 30828-90 | POCCMR | (495) 258 29 51 |
| Italia | 0382 6181 | +39 0362 618200 | Česká Republika | +420 266 712 855 |
| España | +34 93 544 60 76 | +34 93 482 18 96 | România | +40 256 245 022 |
| Portugal | +35 21 911 27 85 | +35 21 957 70 00 | Türkiye | +90 212 275 30 88 |
| Suisse Schweiz Swizzera | +41 (0)32 631 04 74 | +41 (0)32 631 04 75 | 中国 | +86(0)21 6218 8009 |
| | | | Brazil | (11) 3062-2292 |

Service information : www.sfa.biz