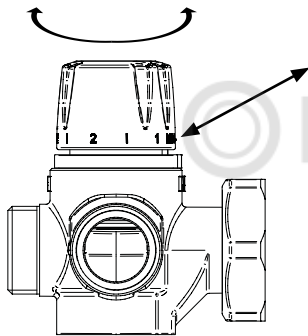
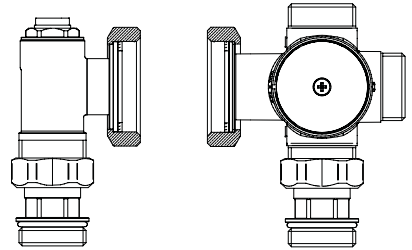


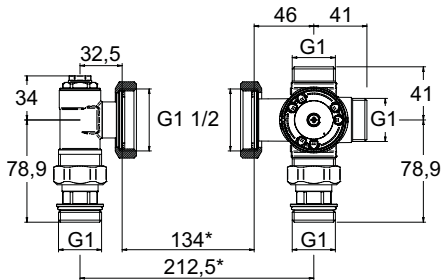
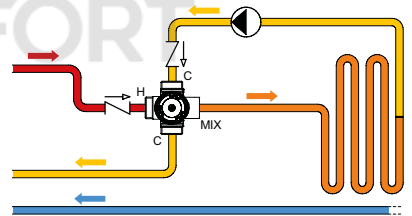
TA-MIX

THERMOSTATIC MIXING VALVE
FOR RADIANT HEATING

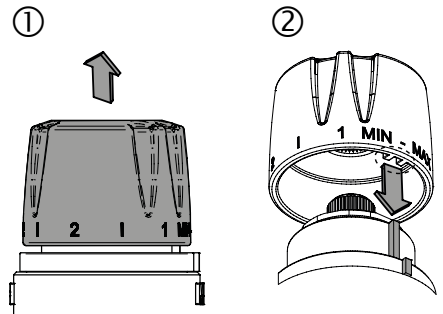
DN 25
Kvs = 3,2
Temperature 25 – 55°C



	Min.	1	2	3	4	5	Max.
25 - 55°C	20°C	25°C	31°C	41°C	46°C	55°C	60°C



*) 130 mm pump + 2x2 mm gasket



We reserve the right to introduce technical alterations without previous notice.