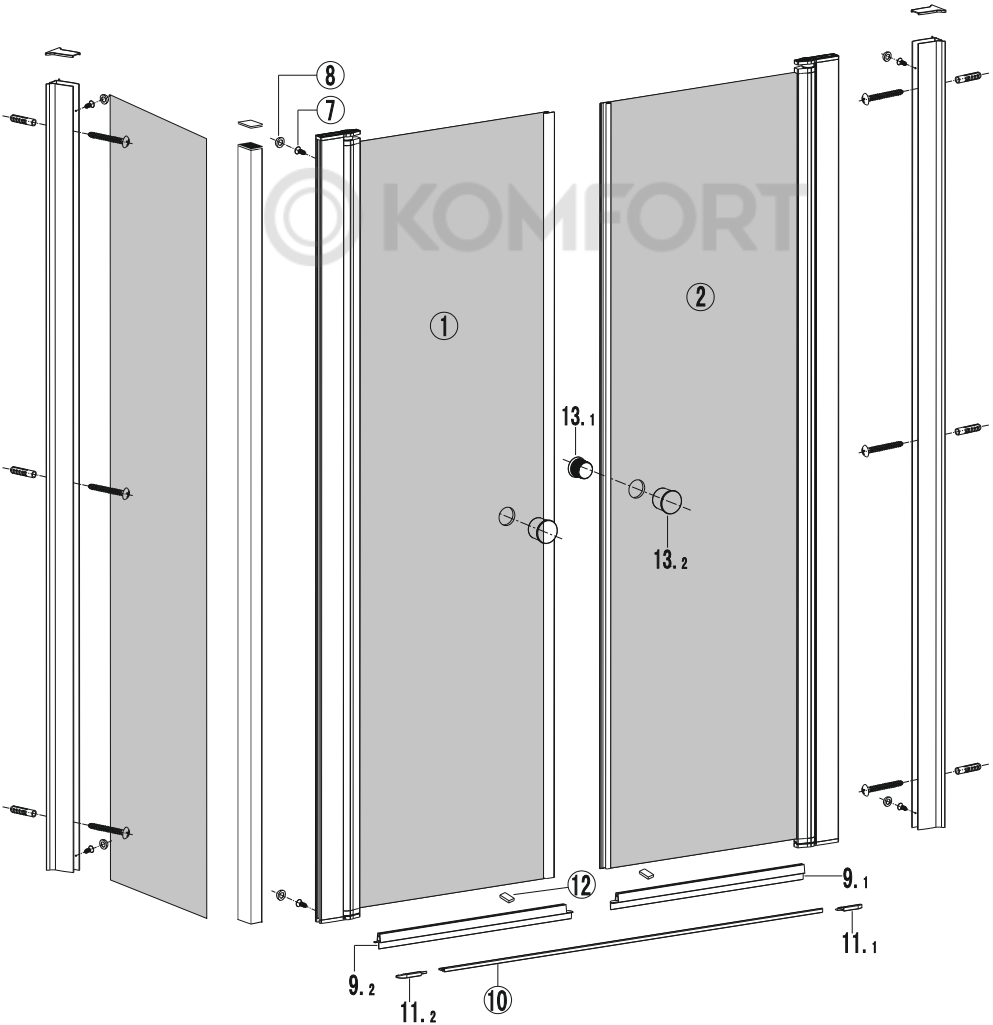
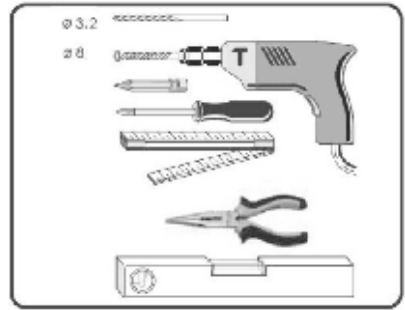
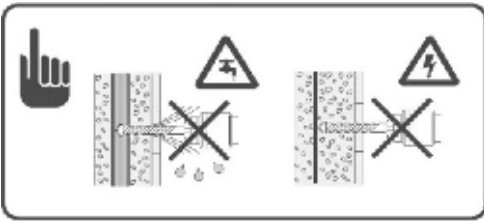


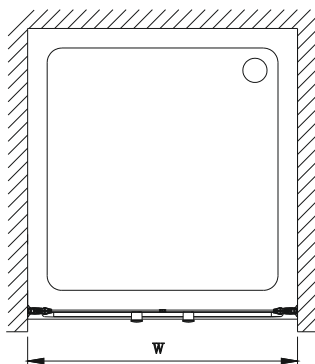
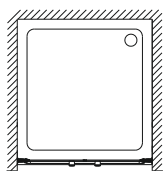
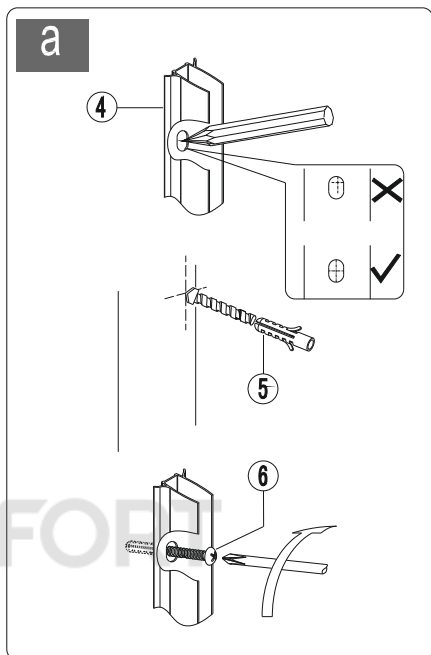
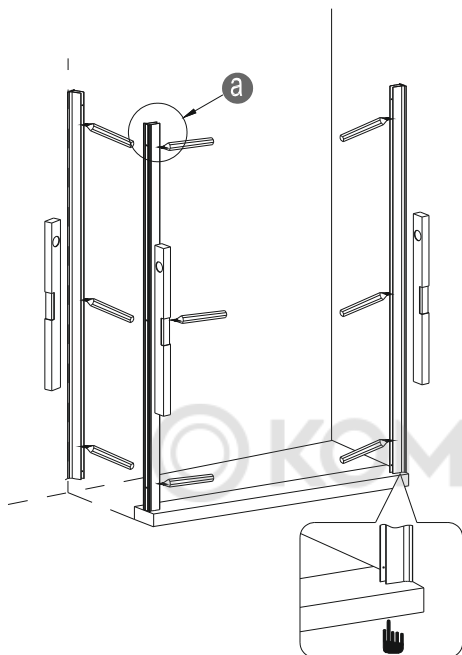
## Инструкция по монтажу модели RGW PA-47



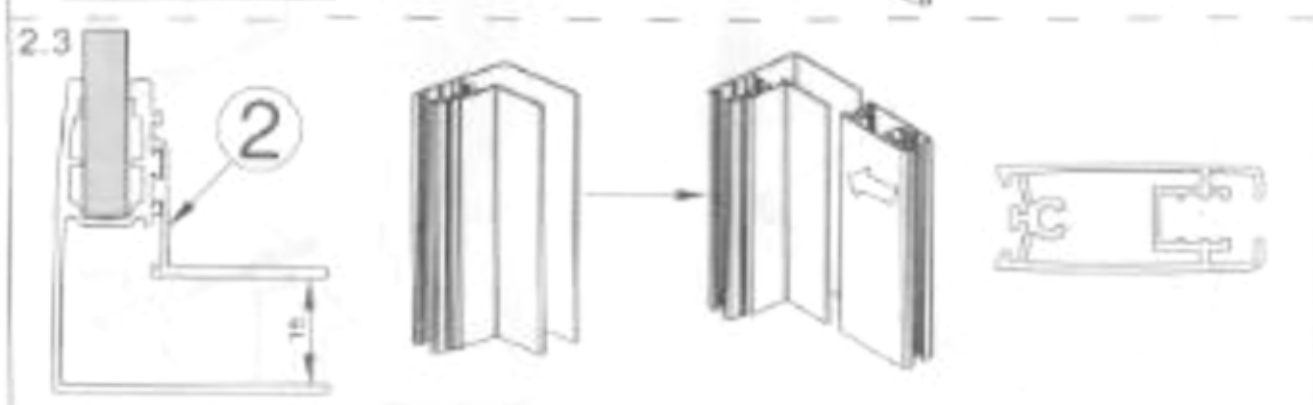
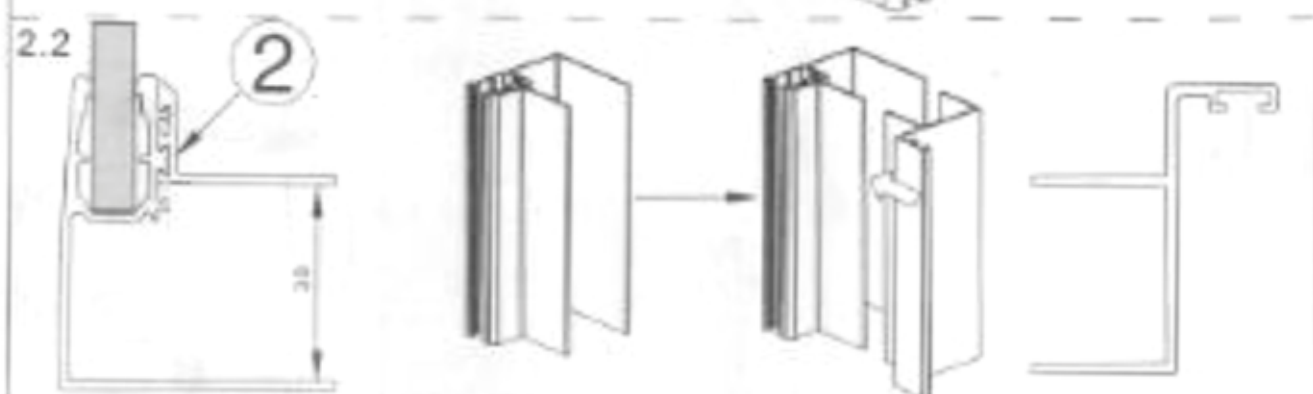
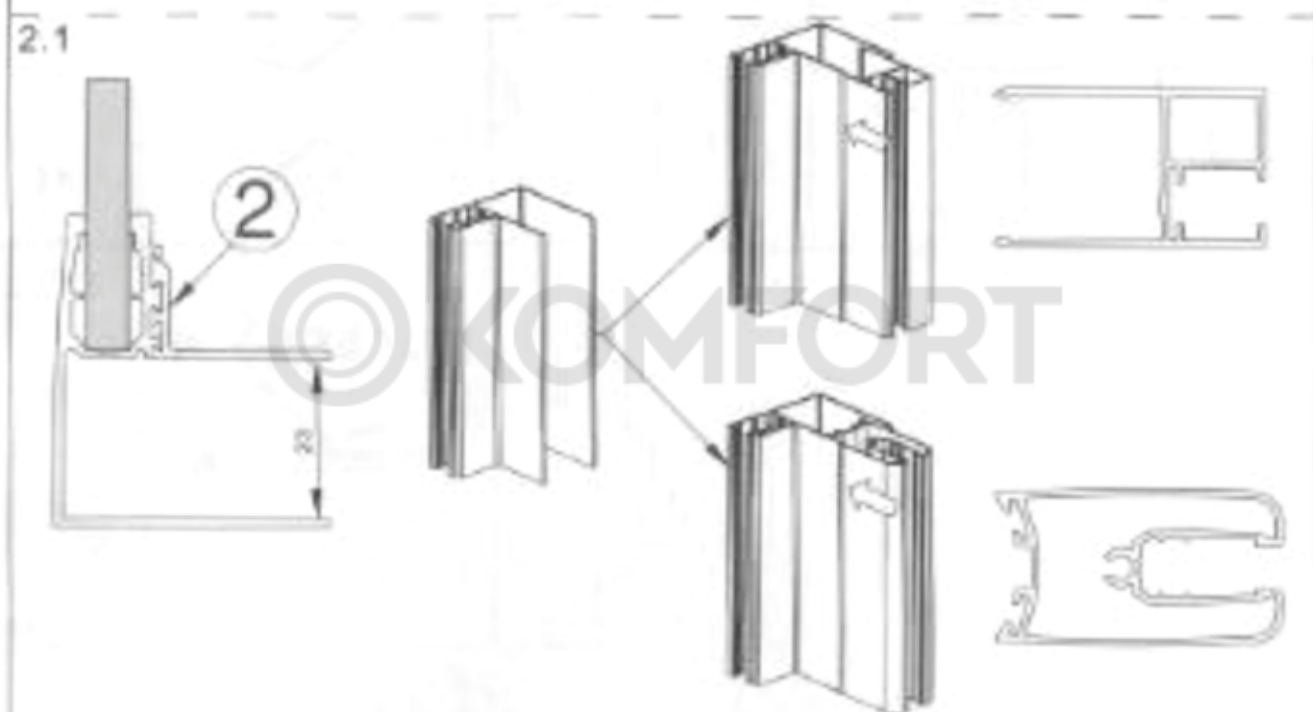
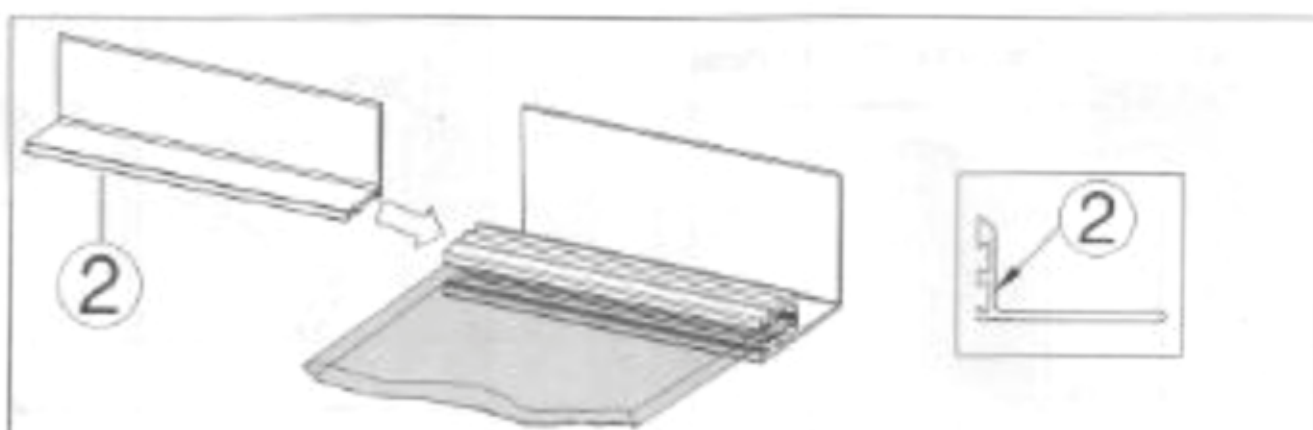


NO.	Designation	Pieces	NO.	Designation	Pieces
		X1 X1	9.1		X1
			9.2		X1
			10		X1
			11.1		X1
			11.2		X1
			12		X1
3		X2	A.1		X2
			A.2		X2
4		X2	B.1		X4
			B.2		X4
			B.3		X2
			B.4		X2
5	$\varnothing 8$	X6+1	C.1		X2
			C.2		X4
			C.3		X4
			C.4		X8
			C.5		X2
			C.6		X2
6	$\oplus$ ST4X35	X6+1	D.1		X4
			D.2		X4
			D.3		X2
			D.4		X8
			D.5		X4
			D.6		X2
7	$\oplus$ ST4X12	X4+1			
8		X4+1		$\varnothing 8$ $\varnothing 3.2$	

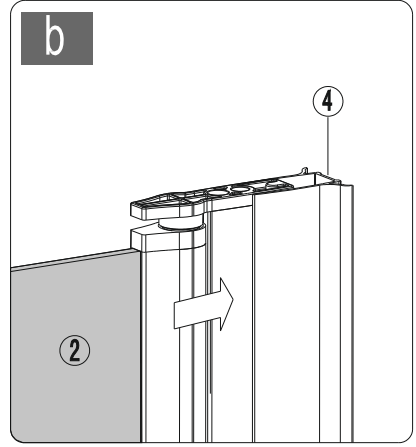
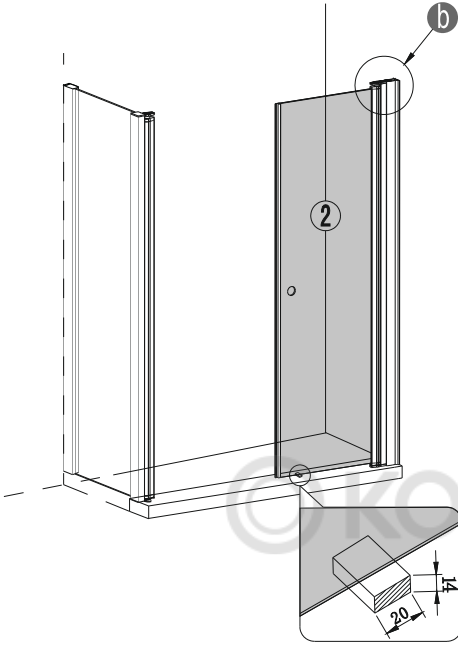
# 1.



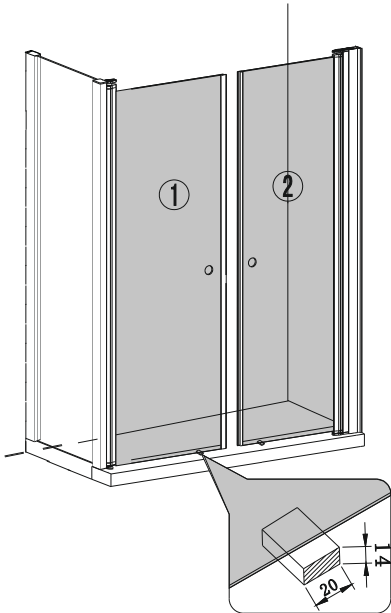
	P	W
750	750-800	800
850	850-900	900



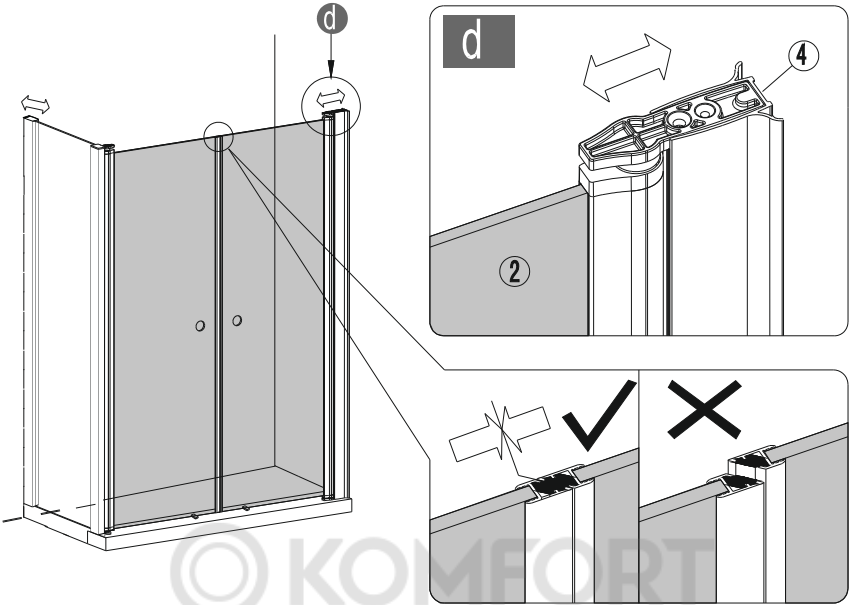
2.



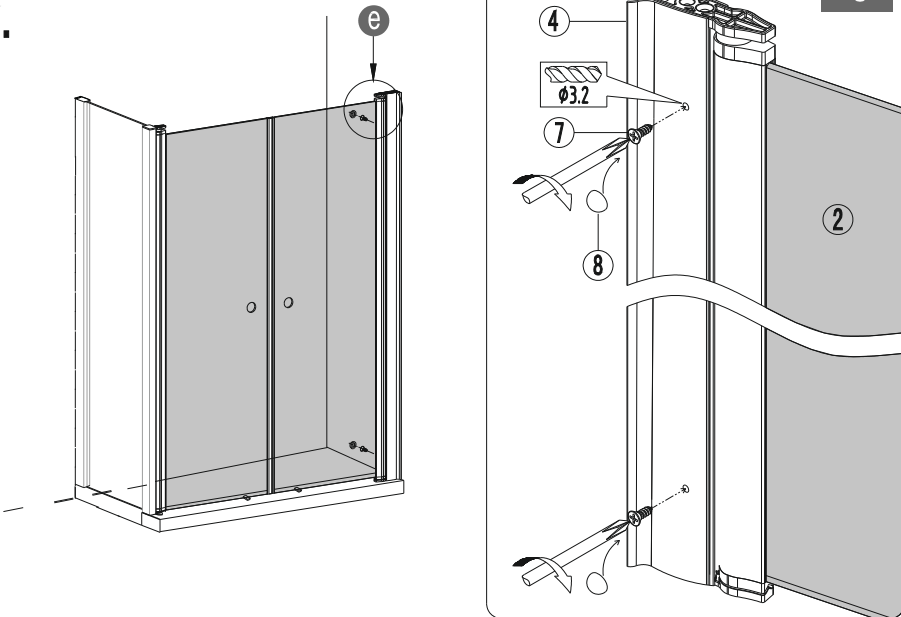
3.



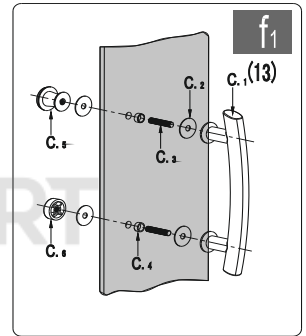
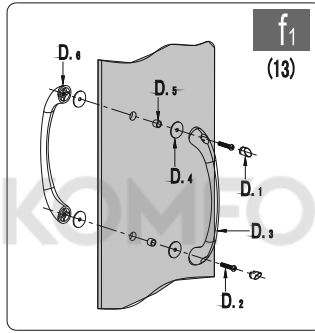
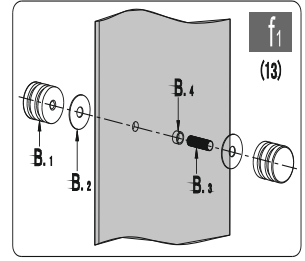
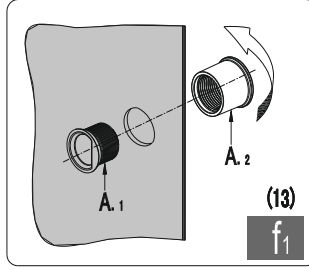
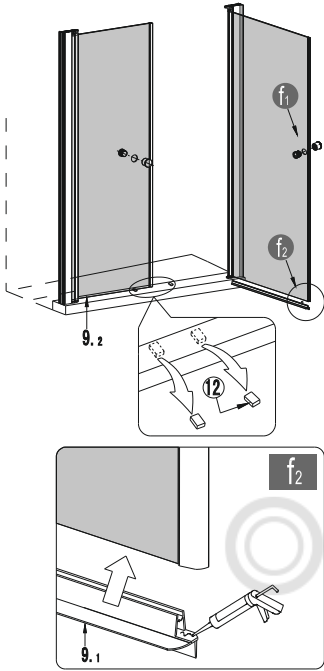
4.



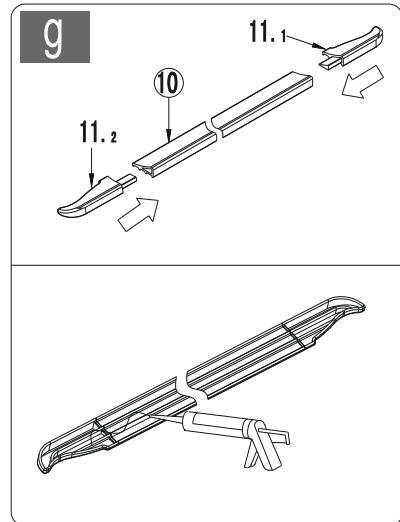
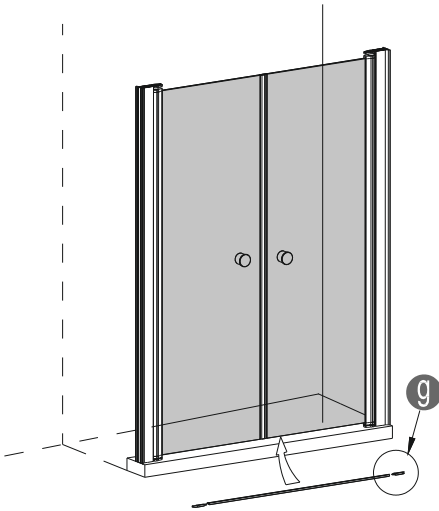
5.



6.



7.





8.

