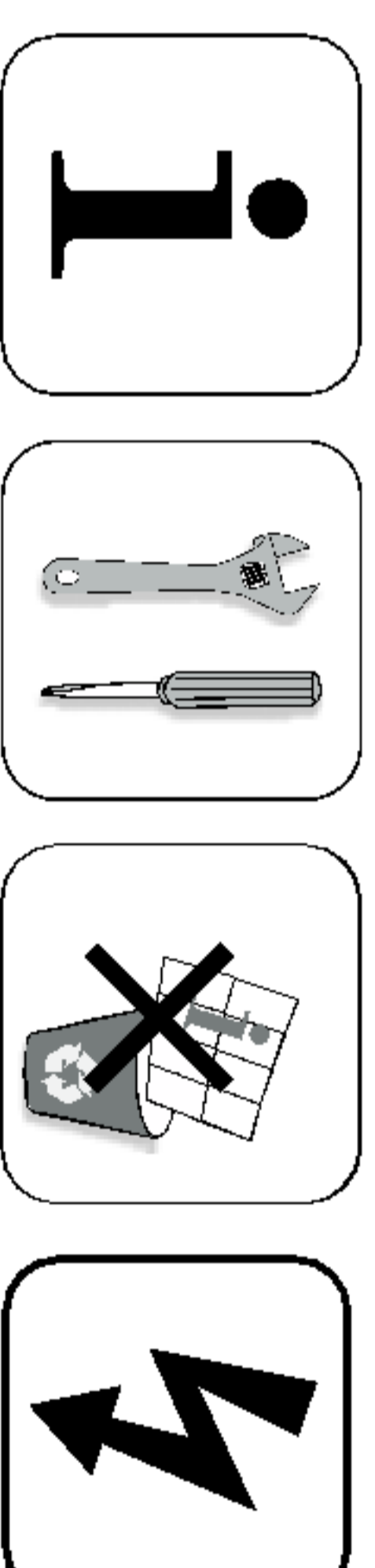


ESBE

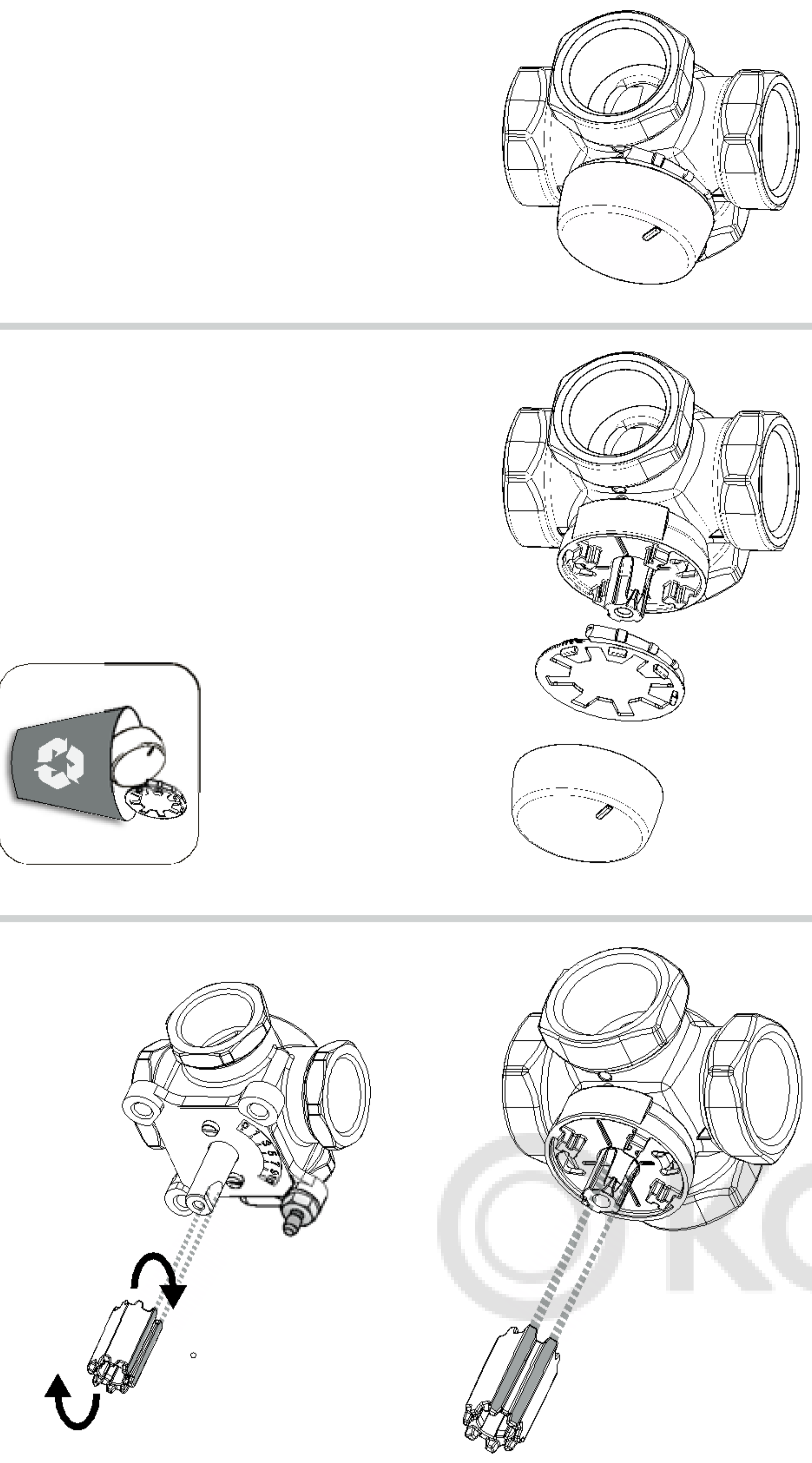
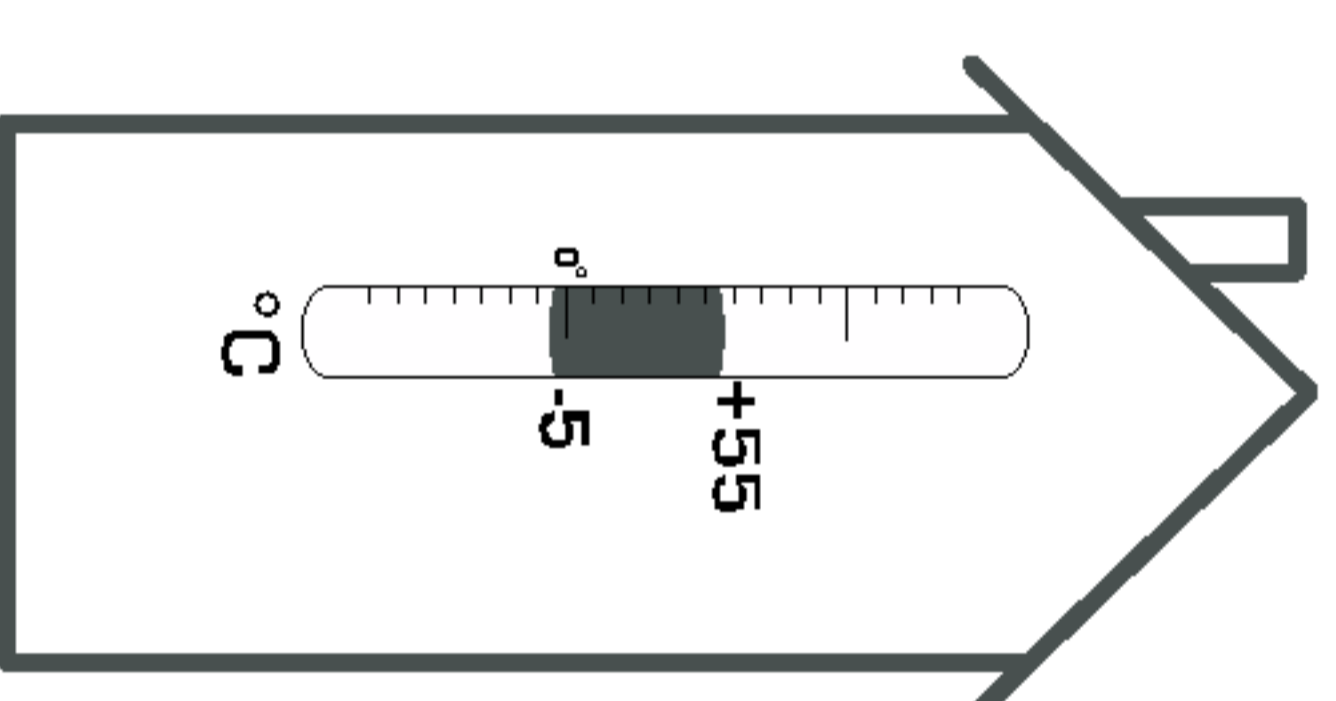
www.esbe.se



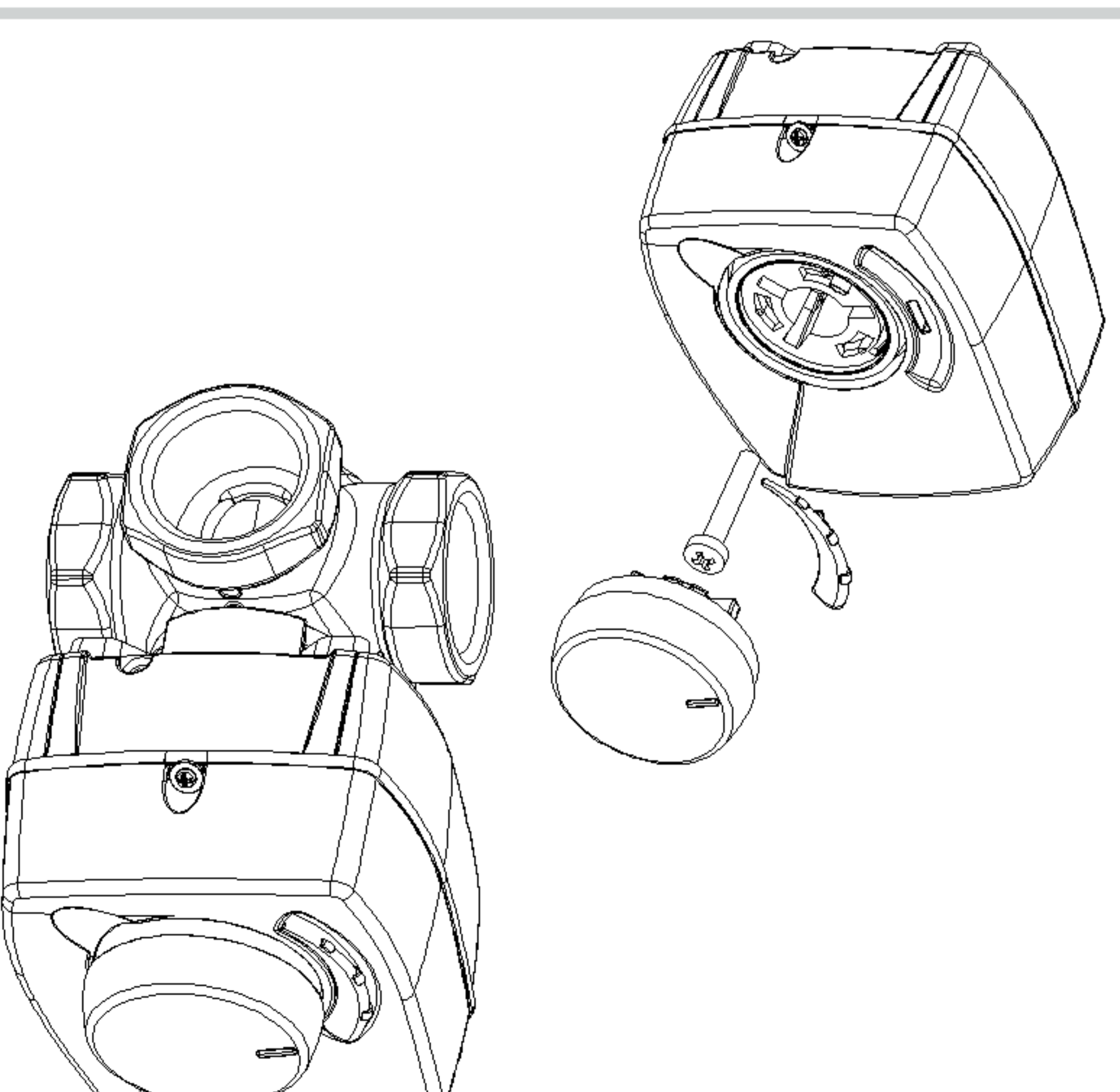
ESBE
NO.1 IN HYDRONIC SYSTEM CONTROL

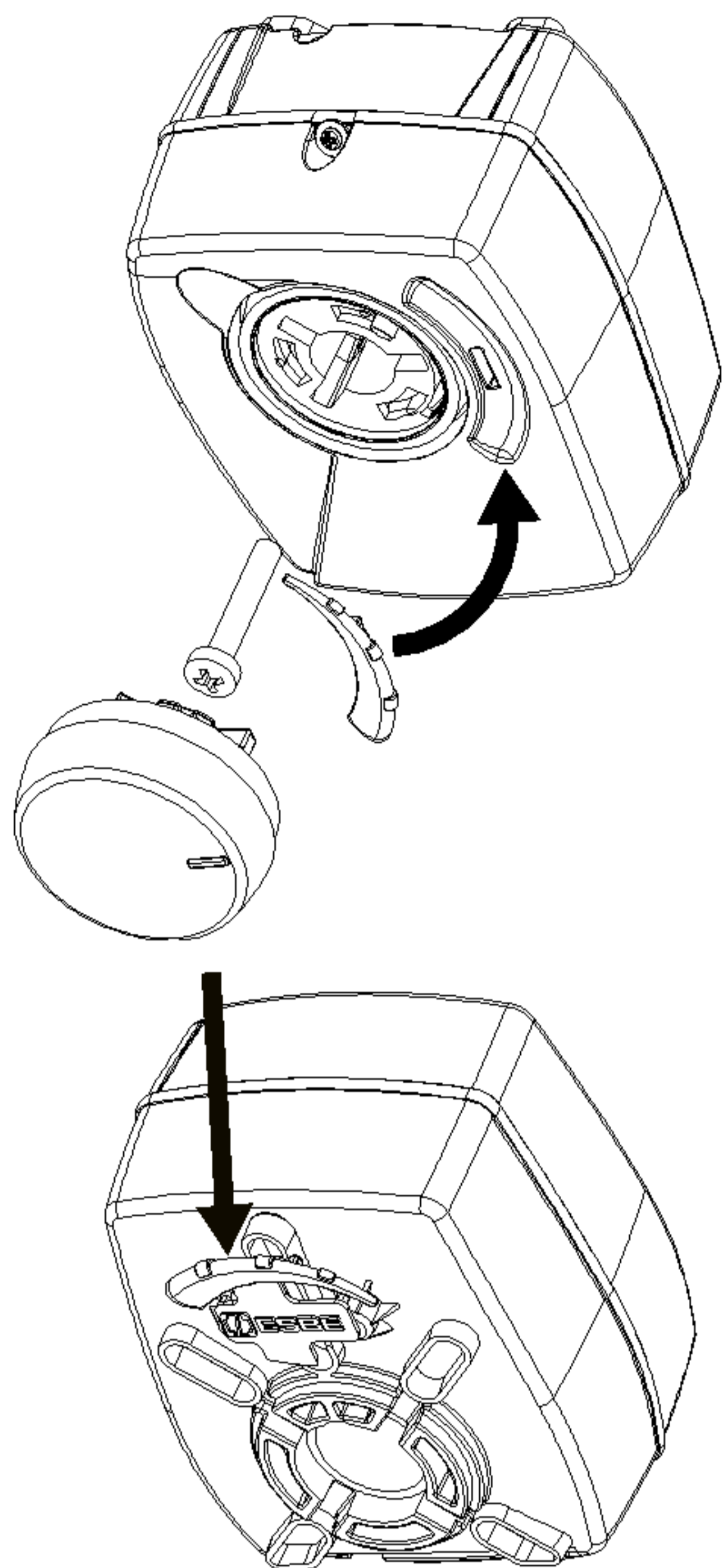
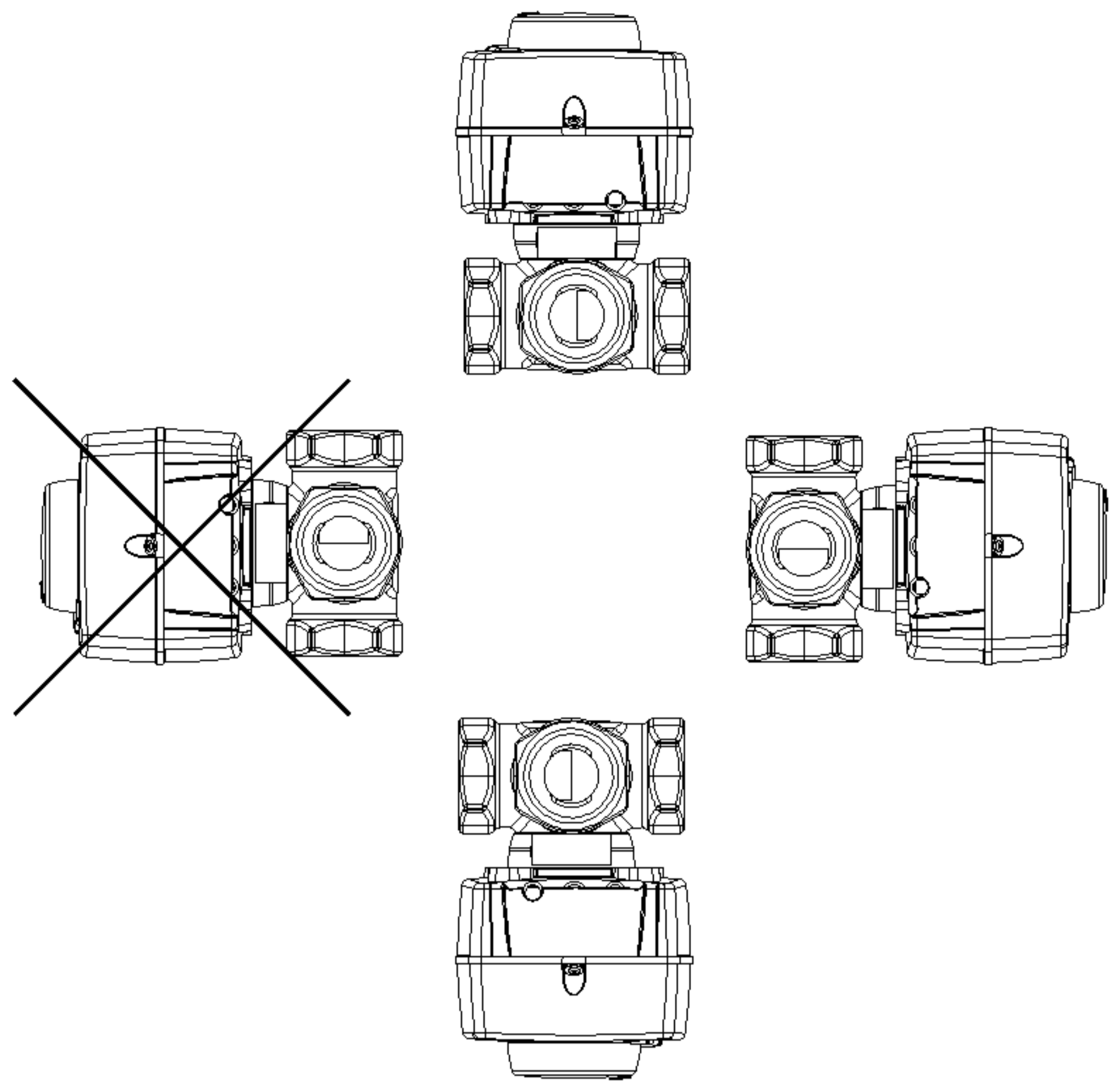


CE
LVD 2006/95/EC

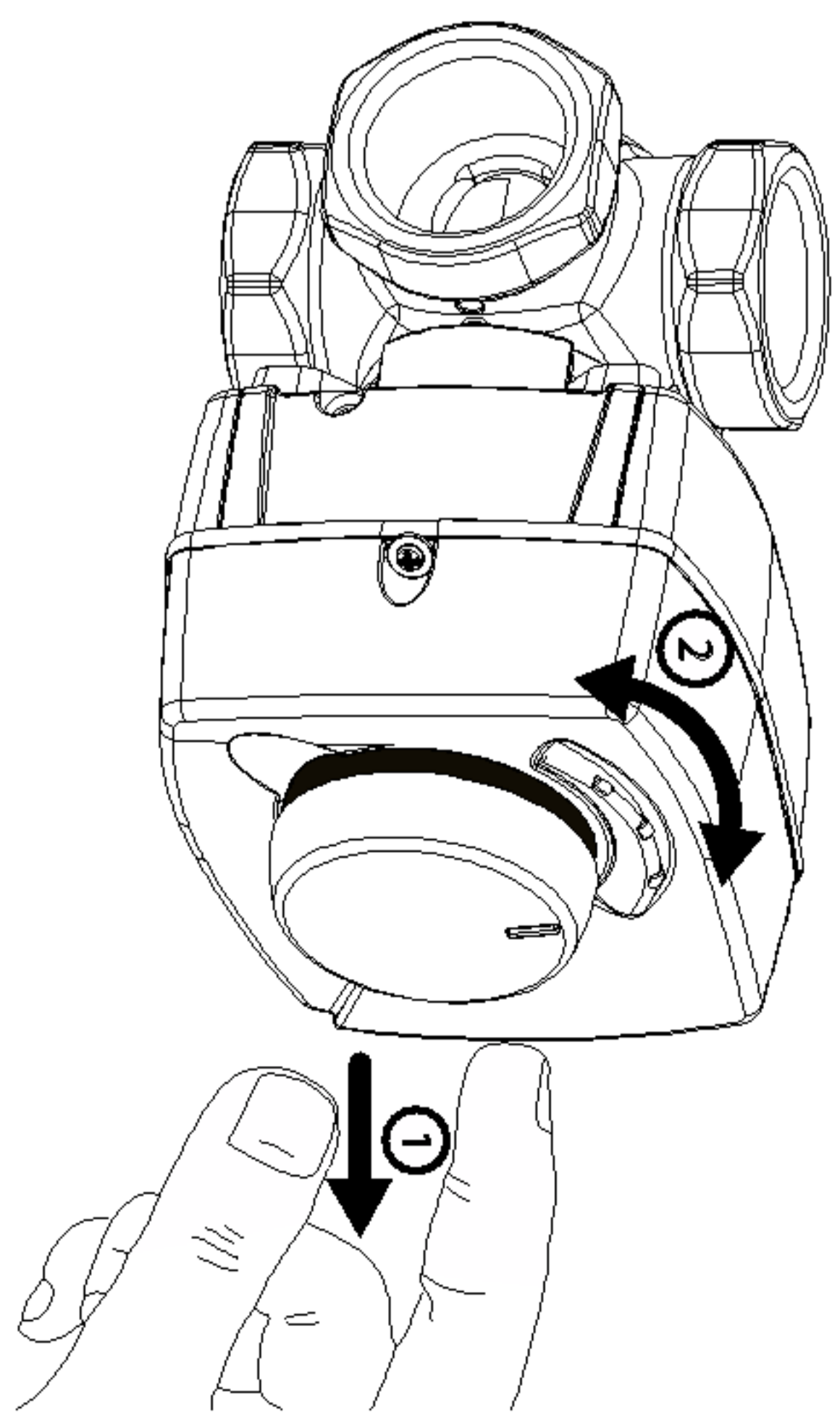
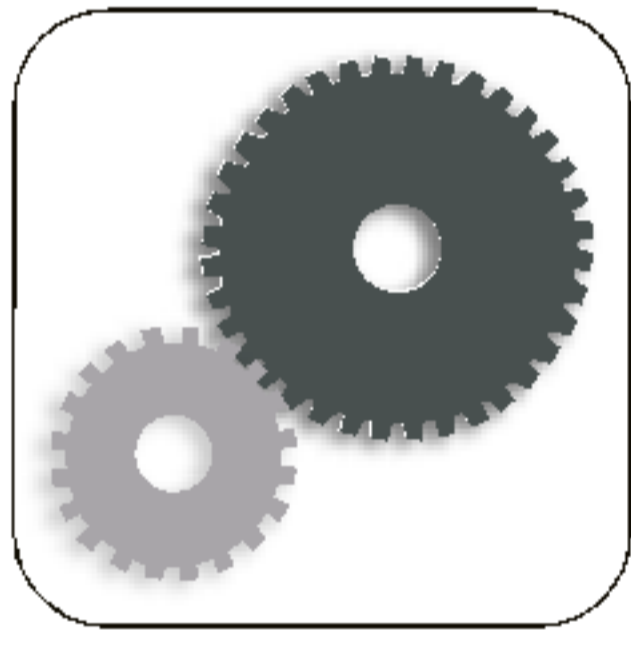
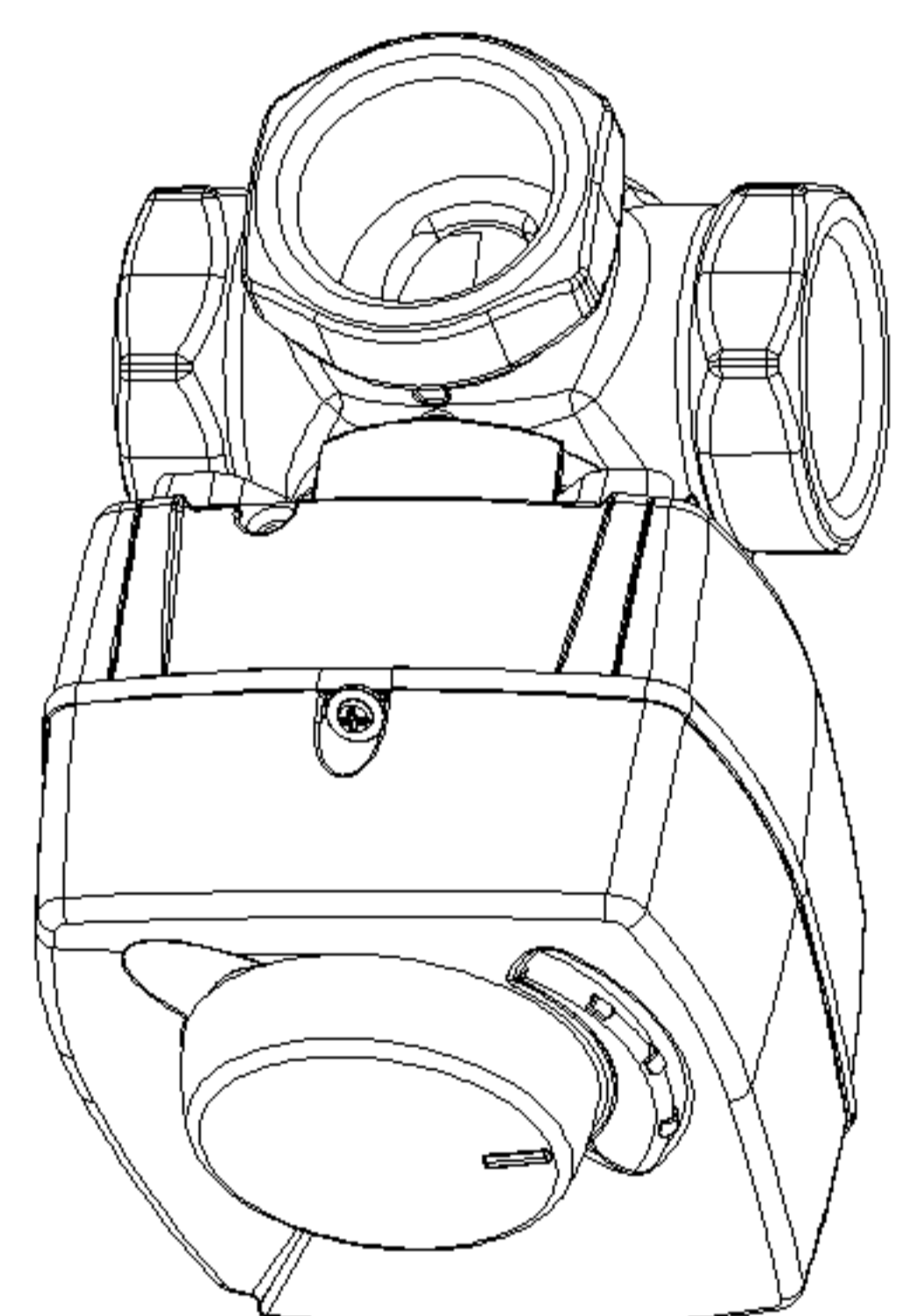


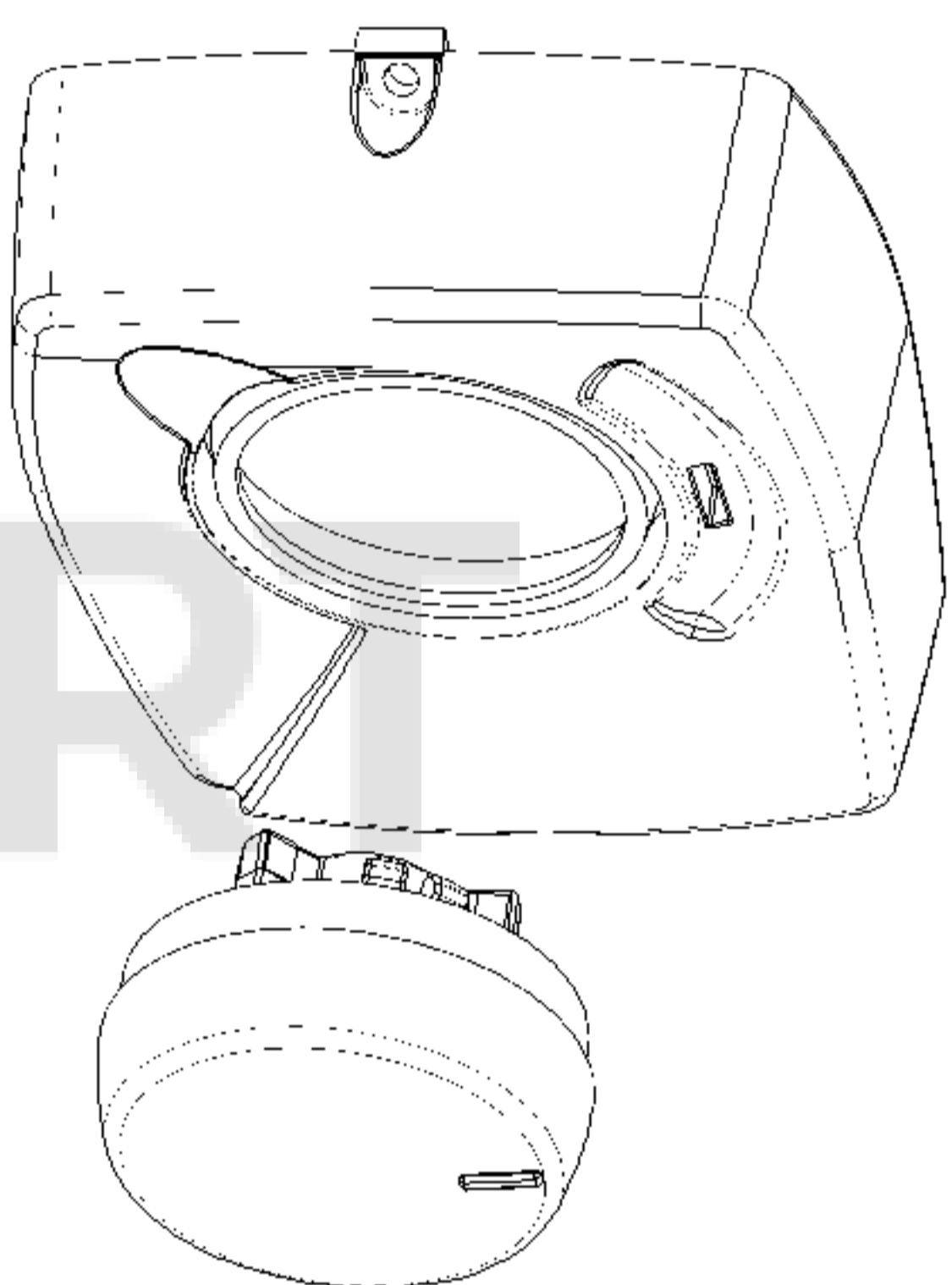
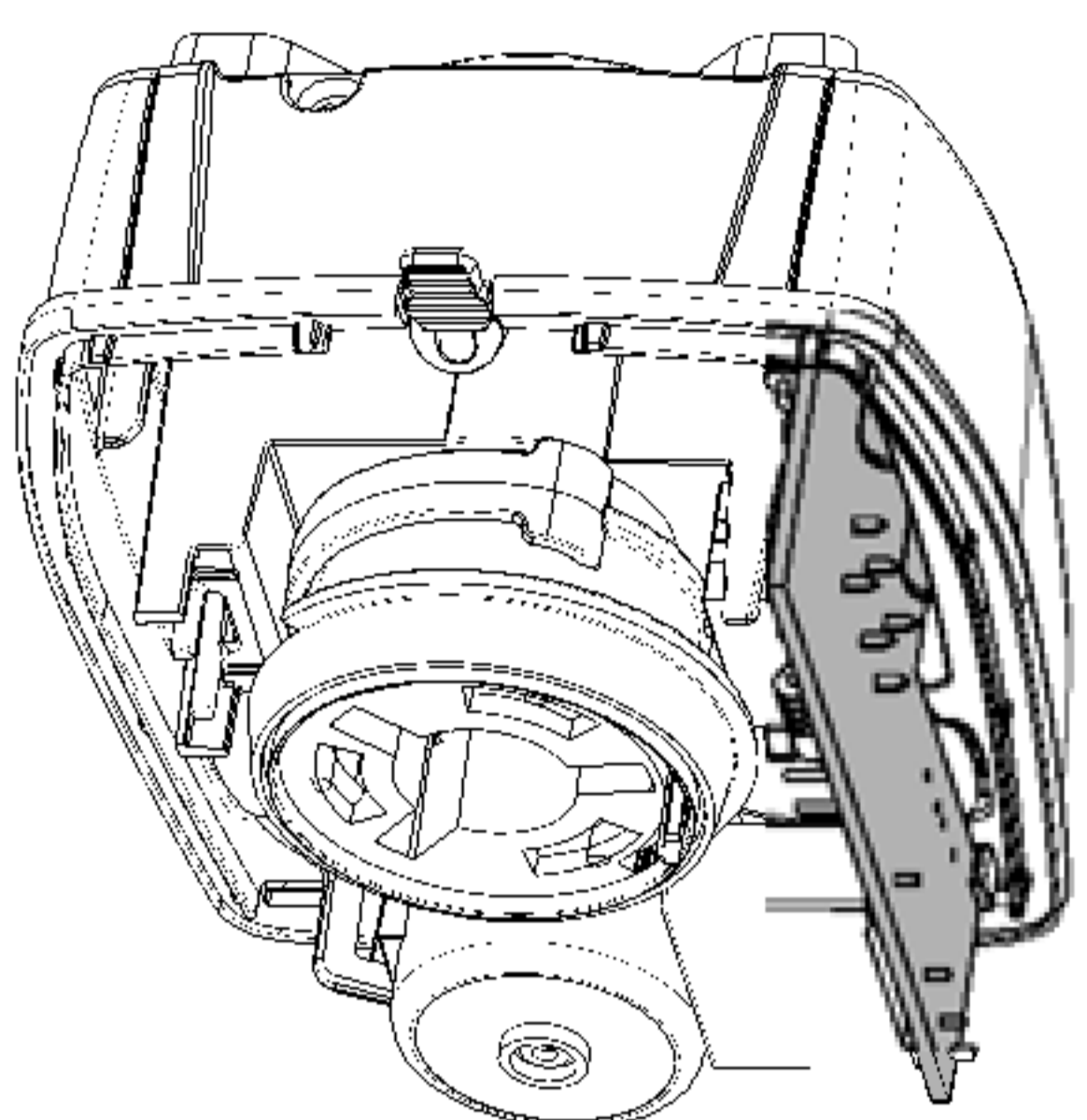
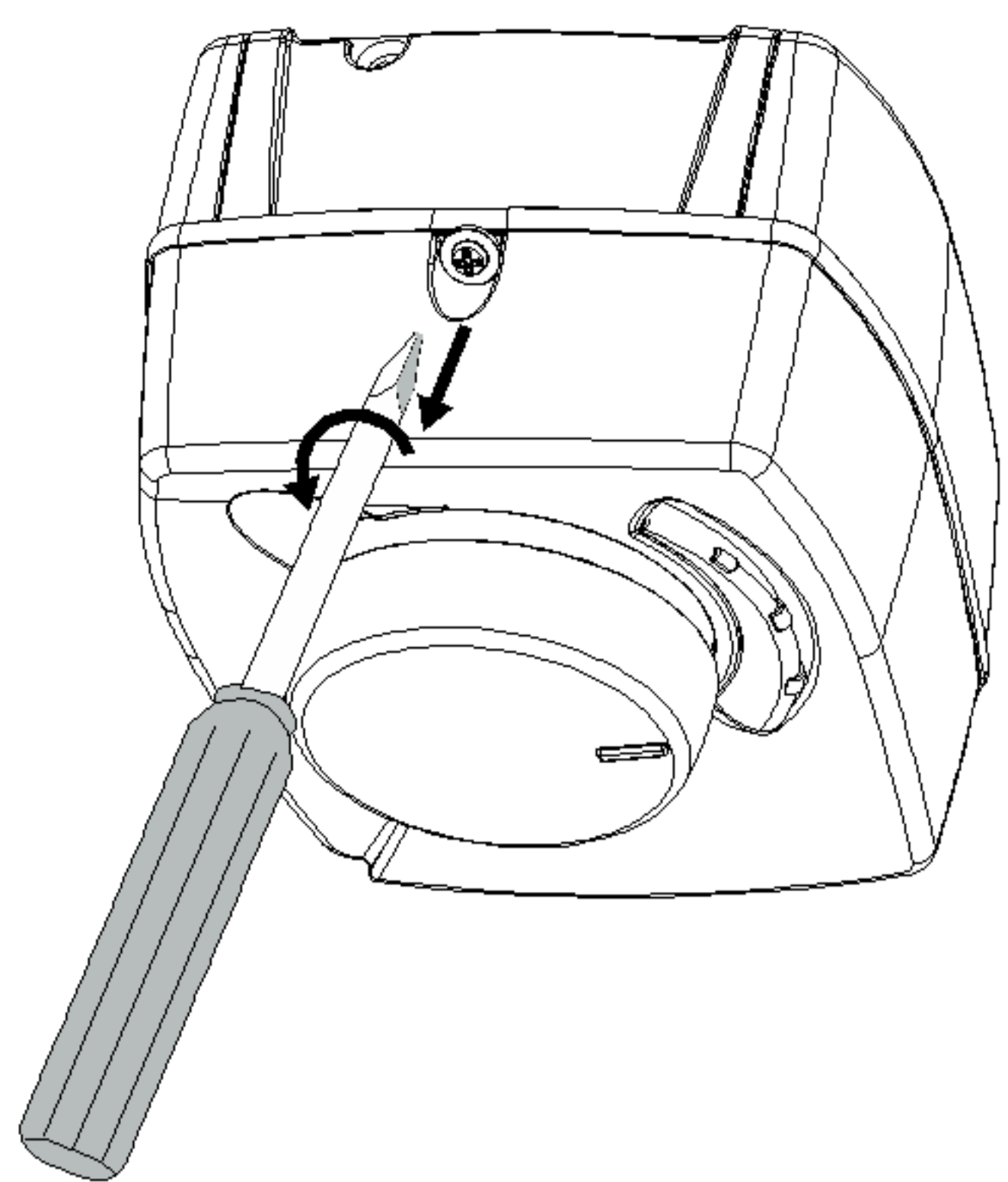
BIV, T, TI





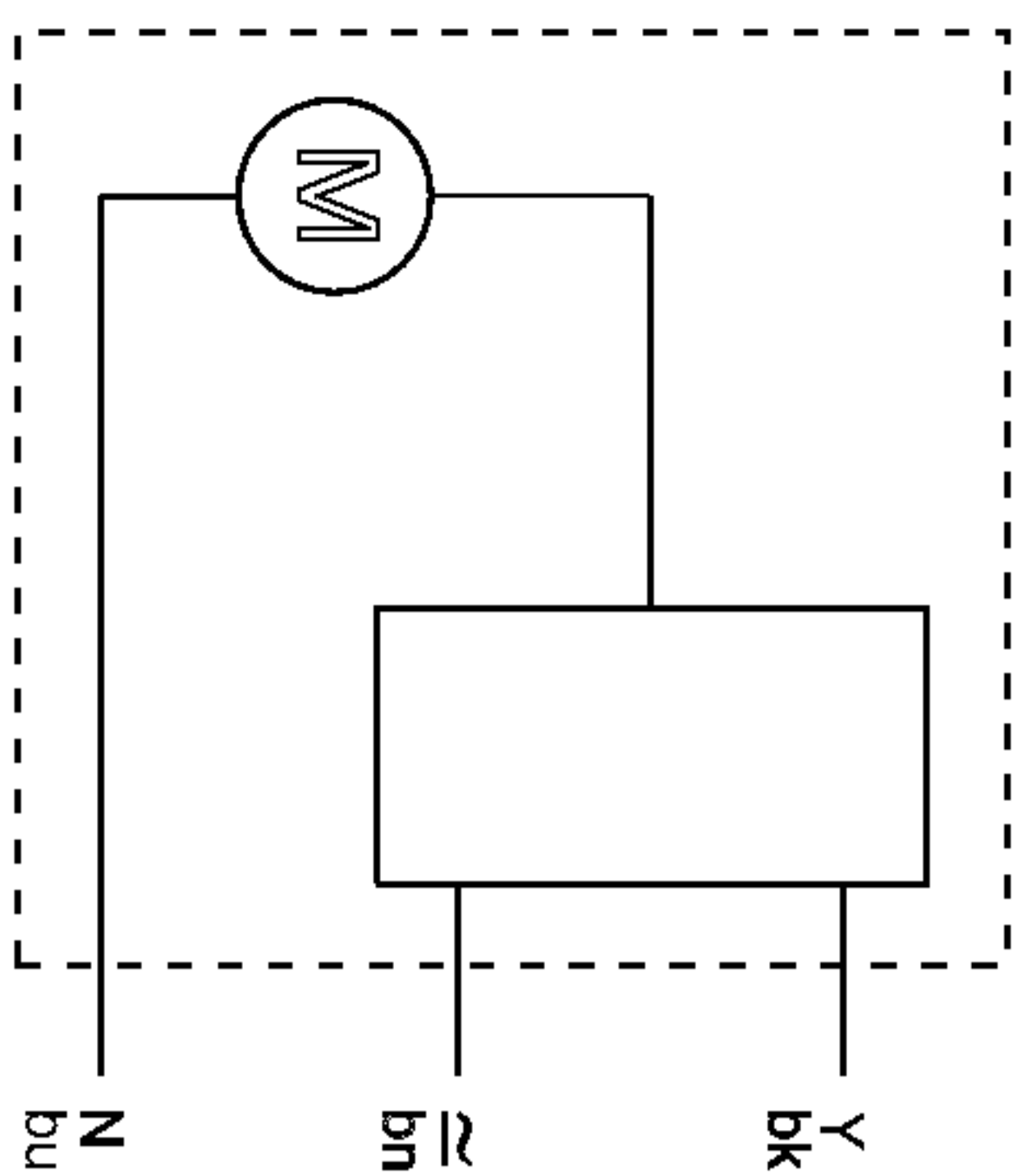
© KOMFORT



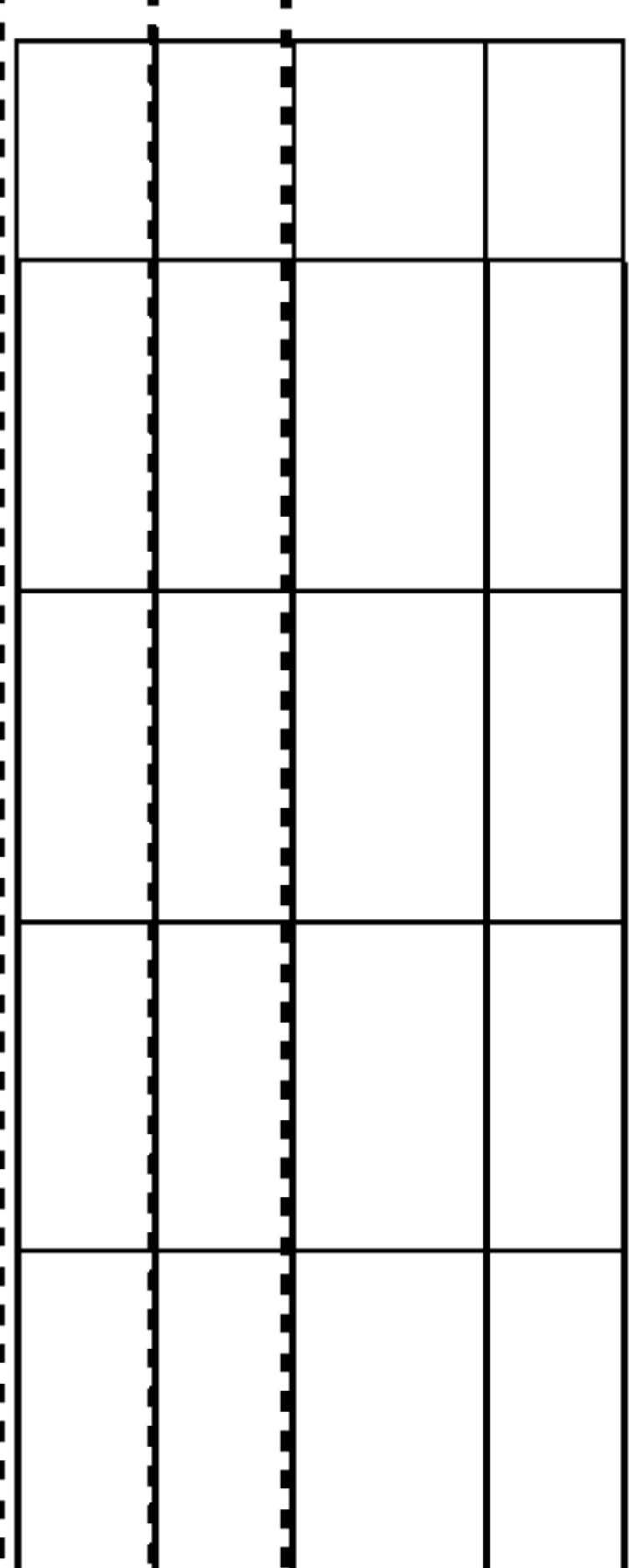
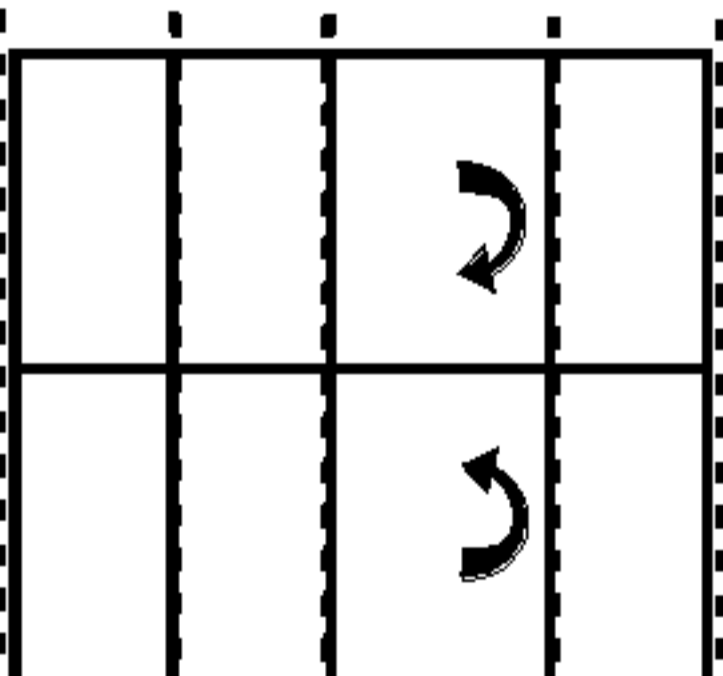
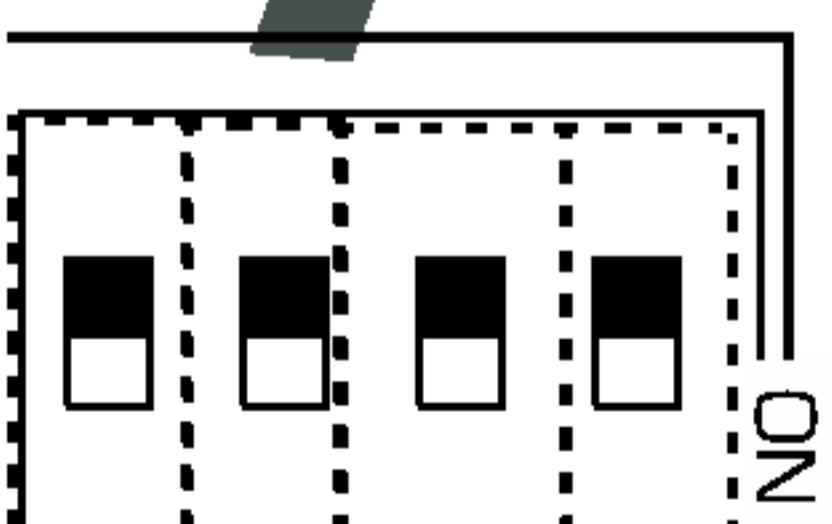
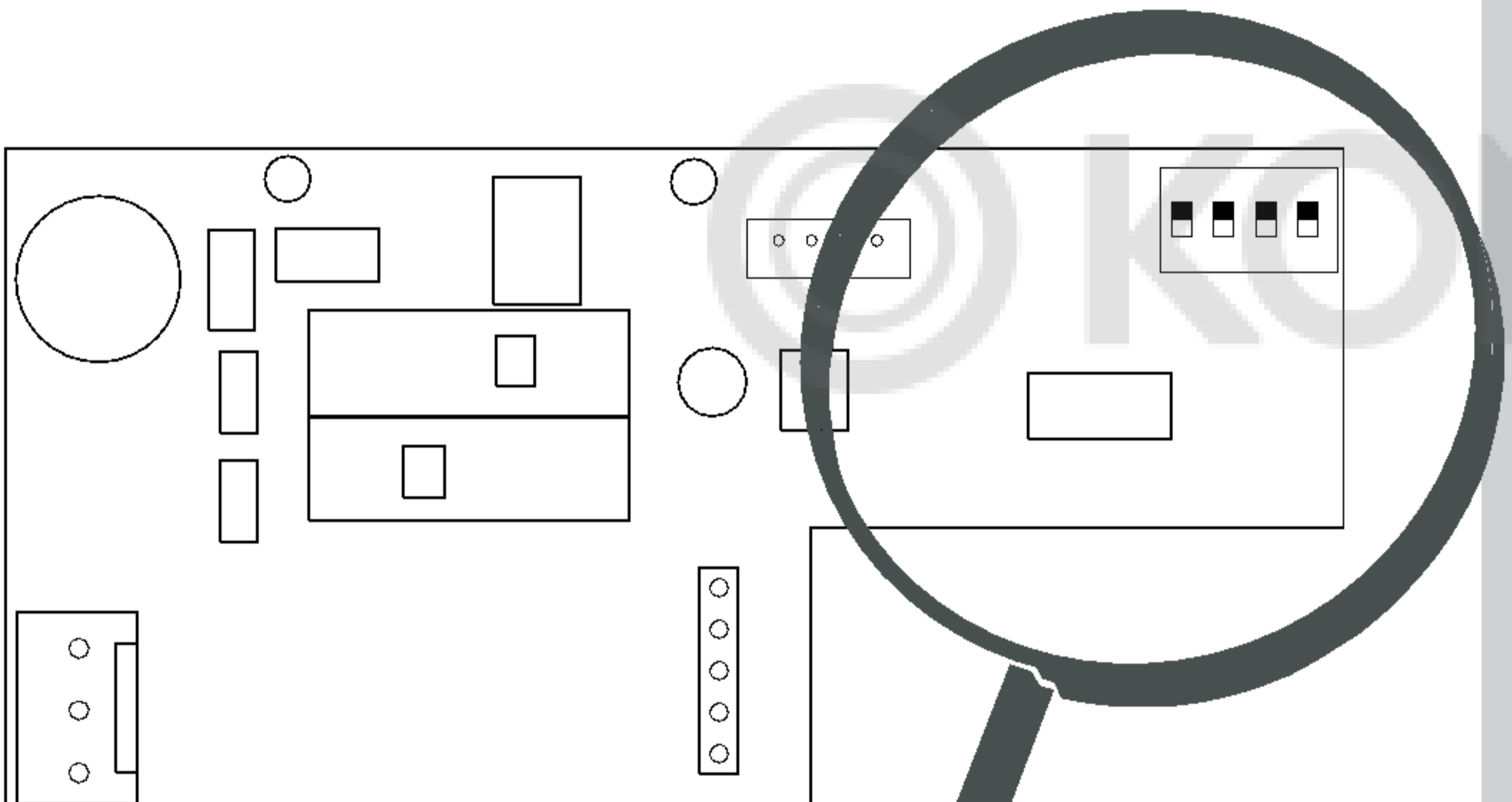
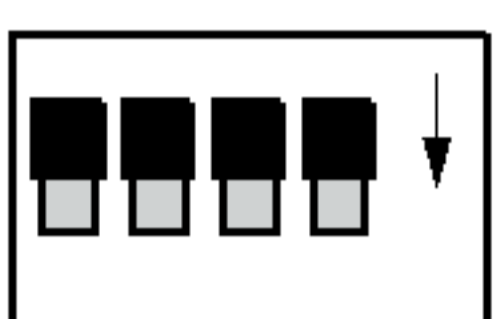


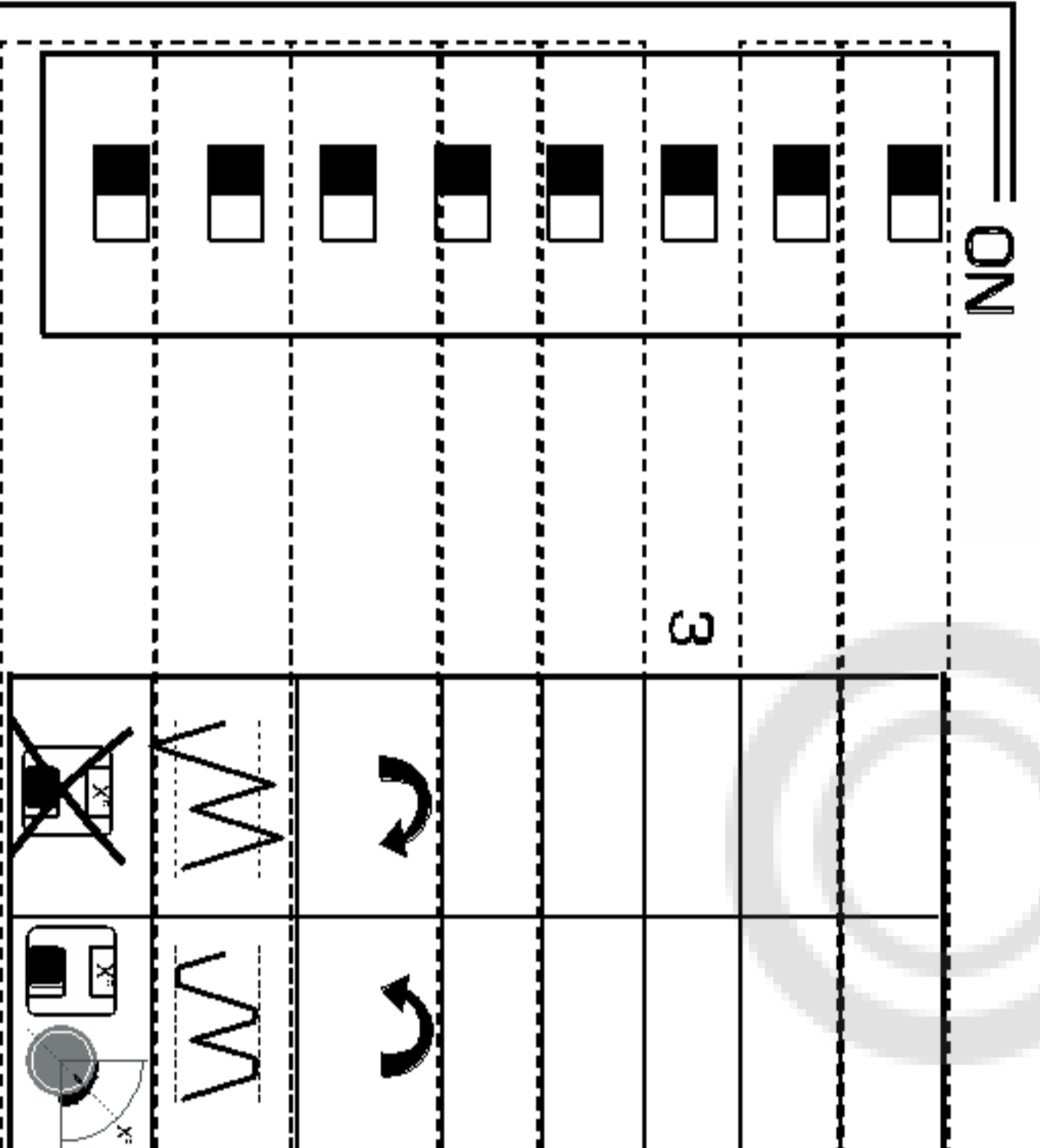
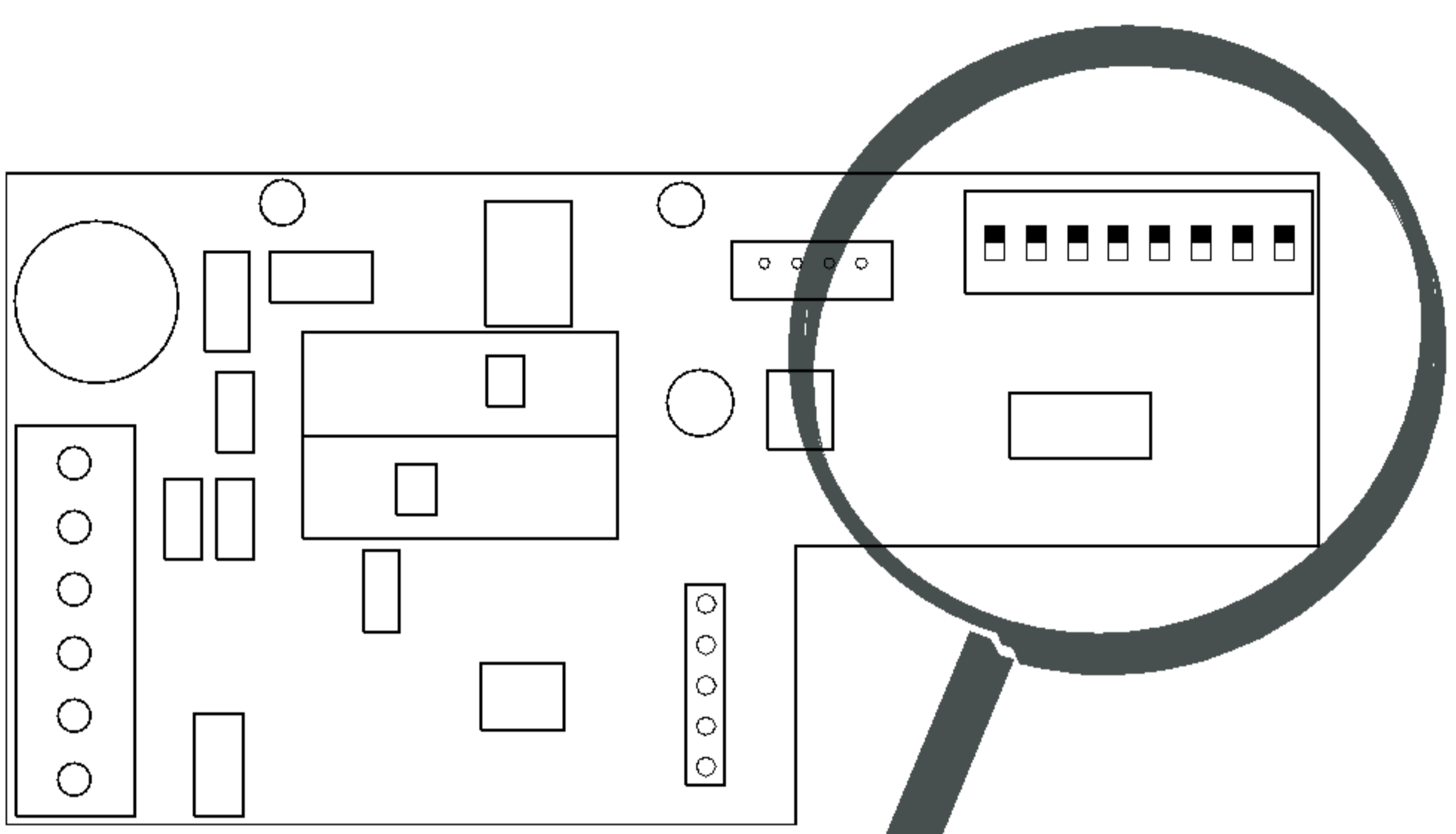
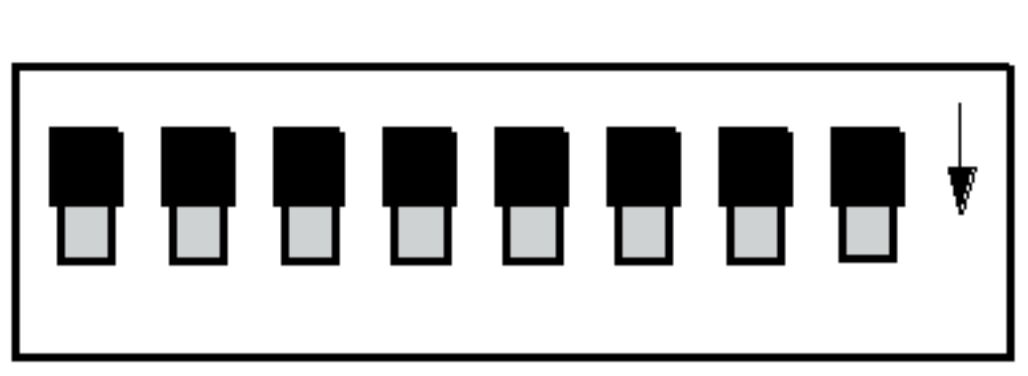
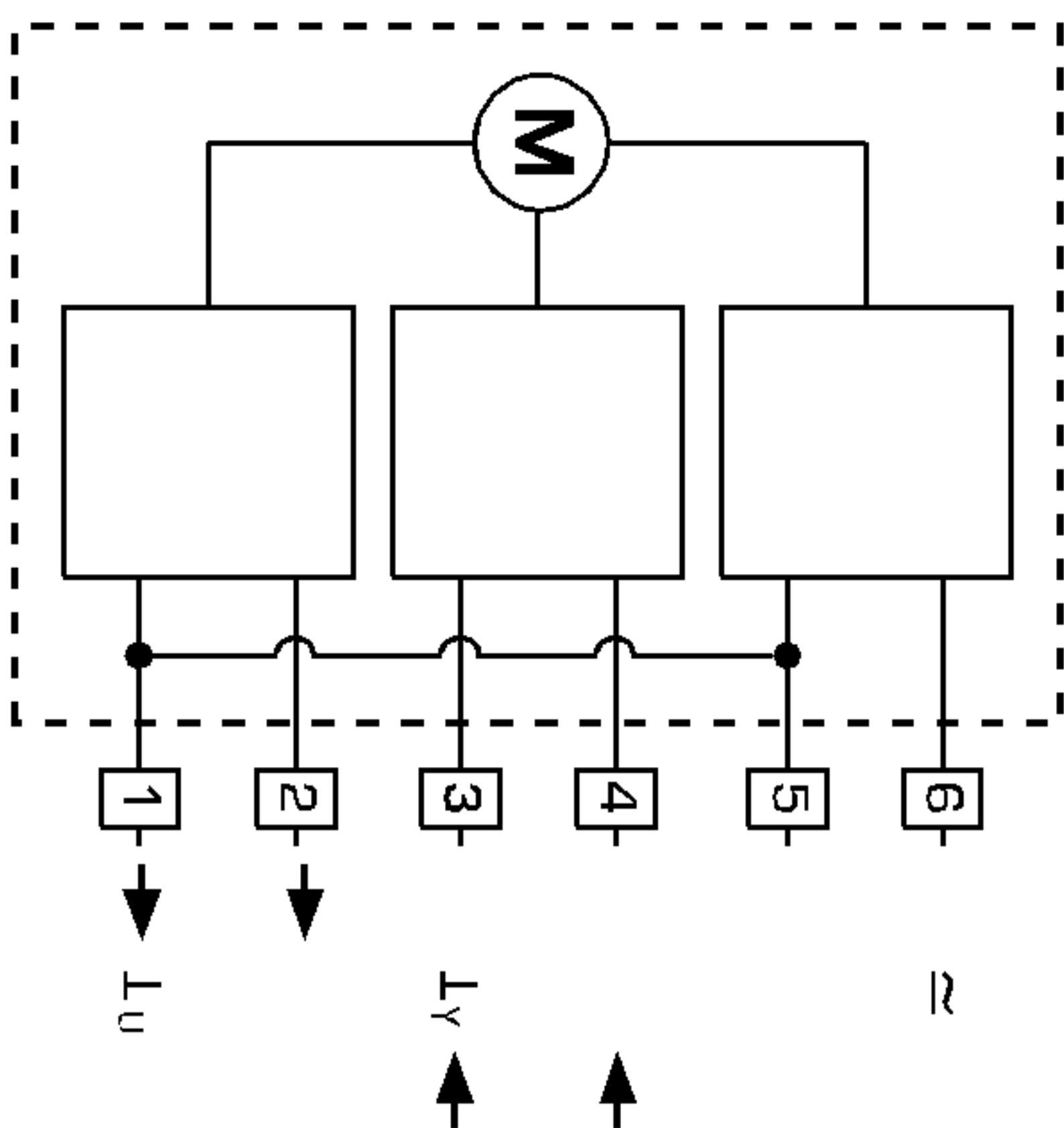
i

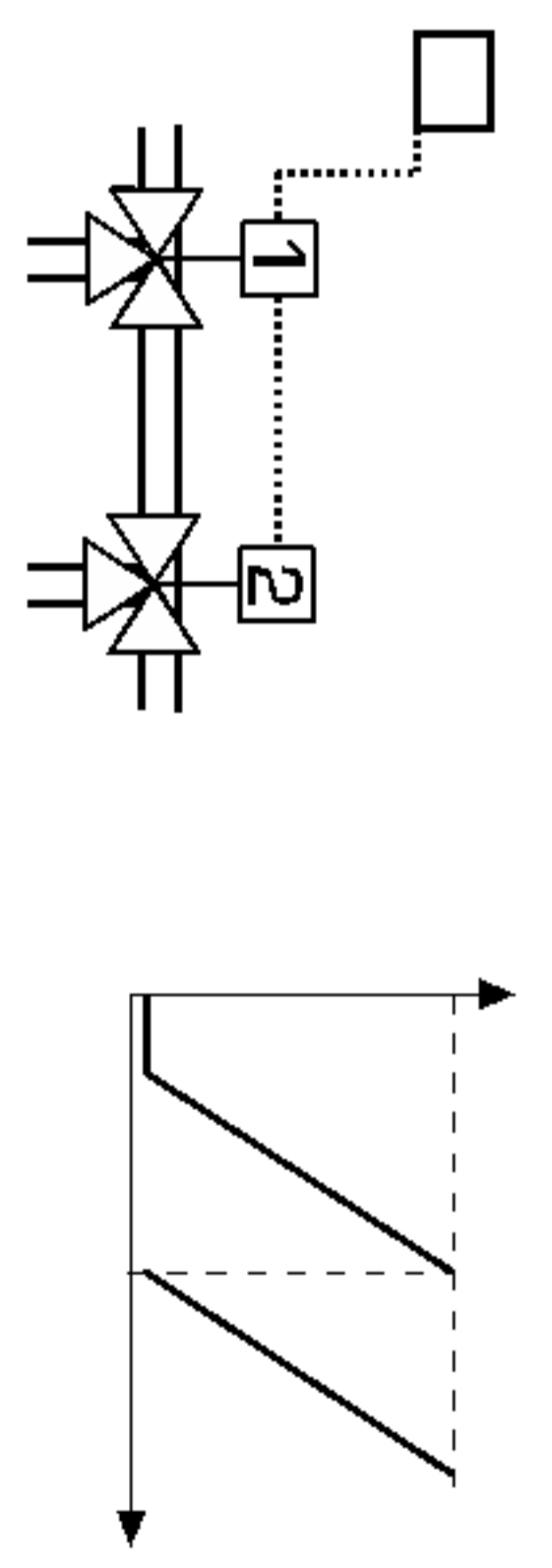
i



0-10V, 2-10V,
0-20mA, 4-20mA







KOMFORT