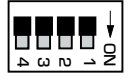
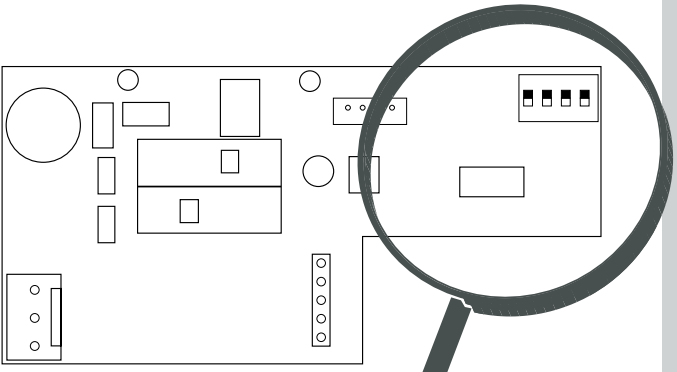
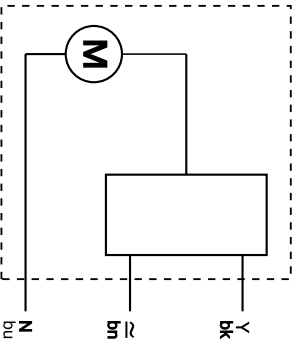


**Series ARA659**

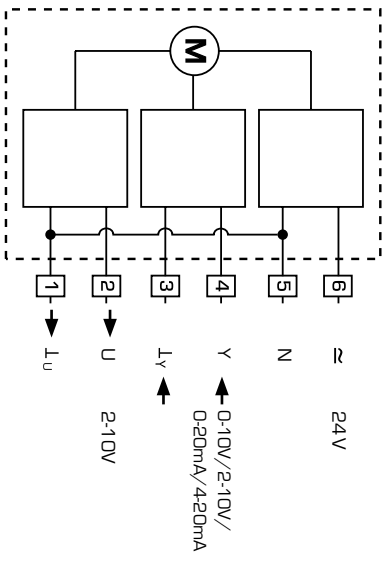
**Series ARA659**



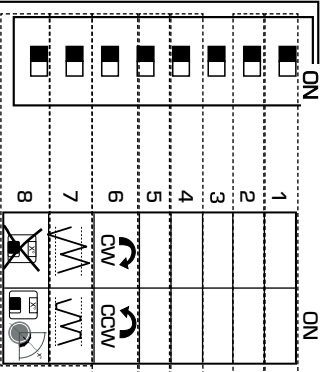
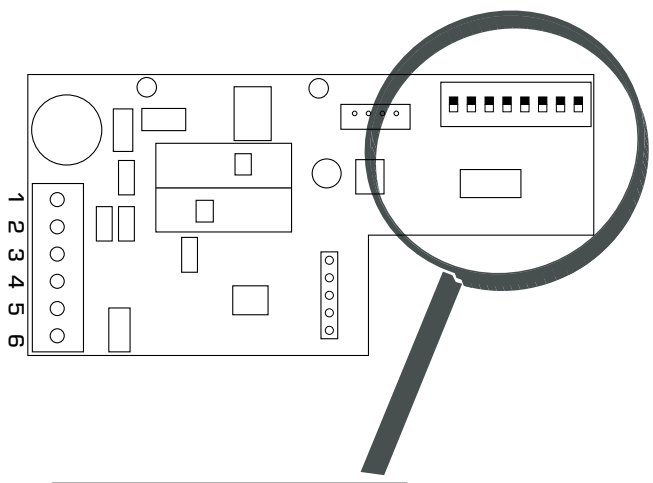
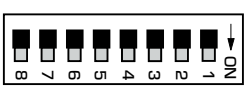
0-10V, 2-10V,  
0-20mA, 4-20mA



	ON		ON	Y	0-10V	0-20mA	2-10V	4-20mA
1	<input type="checkbox"/>	120s CW	<input type="checkbox"/>					
2	<input type="checkbox"/>		<input type="checkbox"/>			ON	-	ON
3	<input type="checkbox"/>		<input type="checkbox"/>				ON	ON
4	<input type="checkbox"/>		<input type="checkbox"/>				ON	ON



i Series ARA639



	120s	60s	30s	15s
1	—	—	ON	ON
2	—	ON	—	ON
3	—	ON	—	ON
4	—	—	ON	ON
5	—	—	—	—
Y	0-10V	0-20mA	2-10V	4-20mA

	0-2V	2-6V	6-10V	0-4mA	4-12mA	12-20mA
Y	0°	0.90°	90°	0°	0-90°	90°
3	—	—	—	—	ON	—
4	—	—	—	—	ON	—
5	X	2V	2V	2-10V	2V	2-10V

